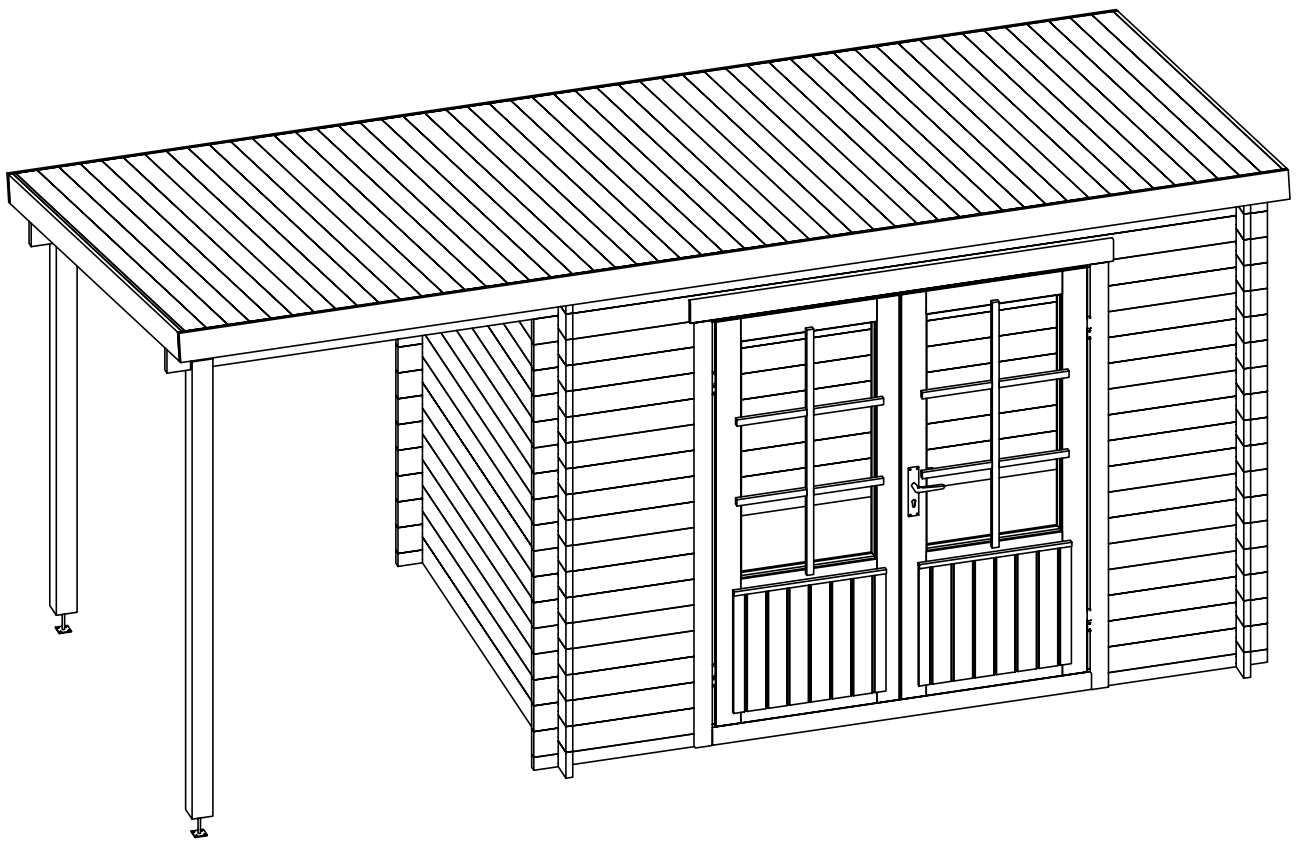
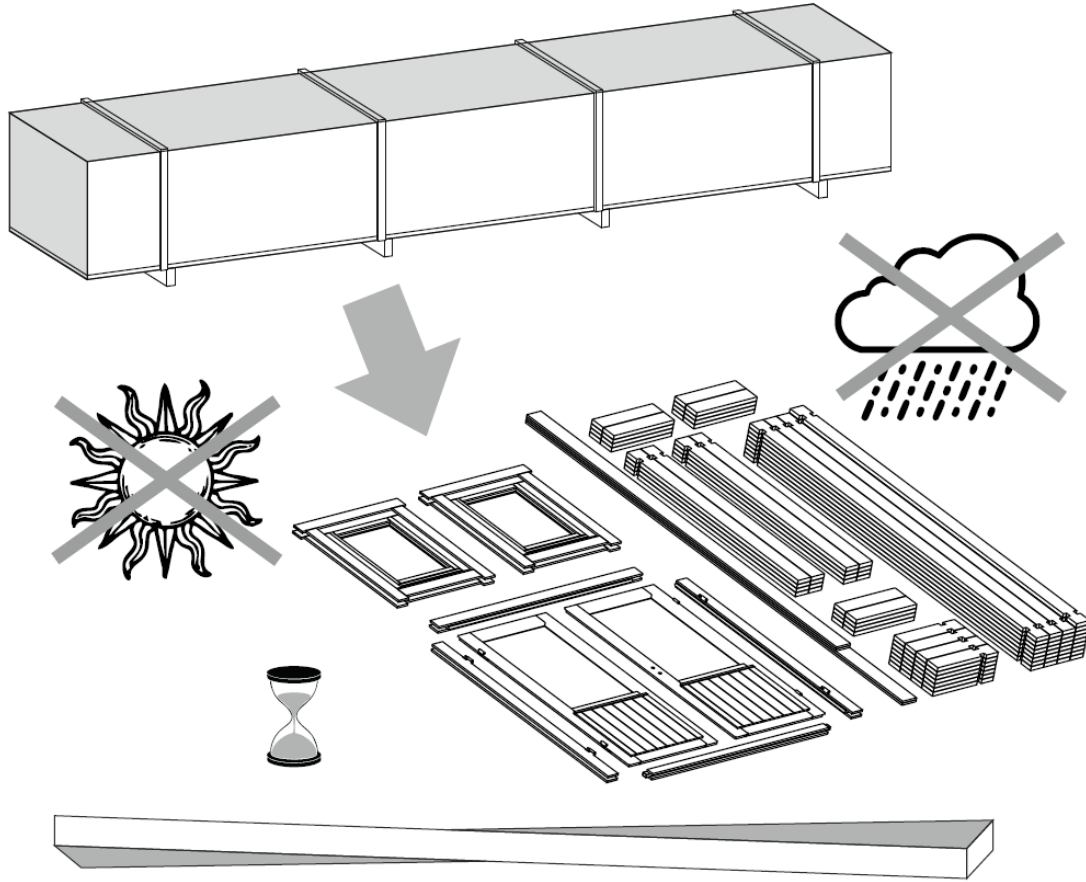
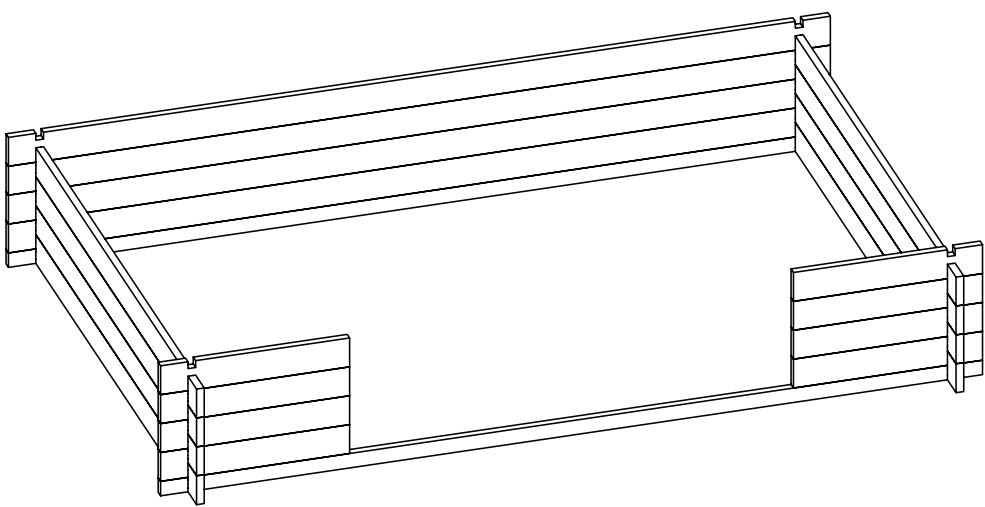
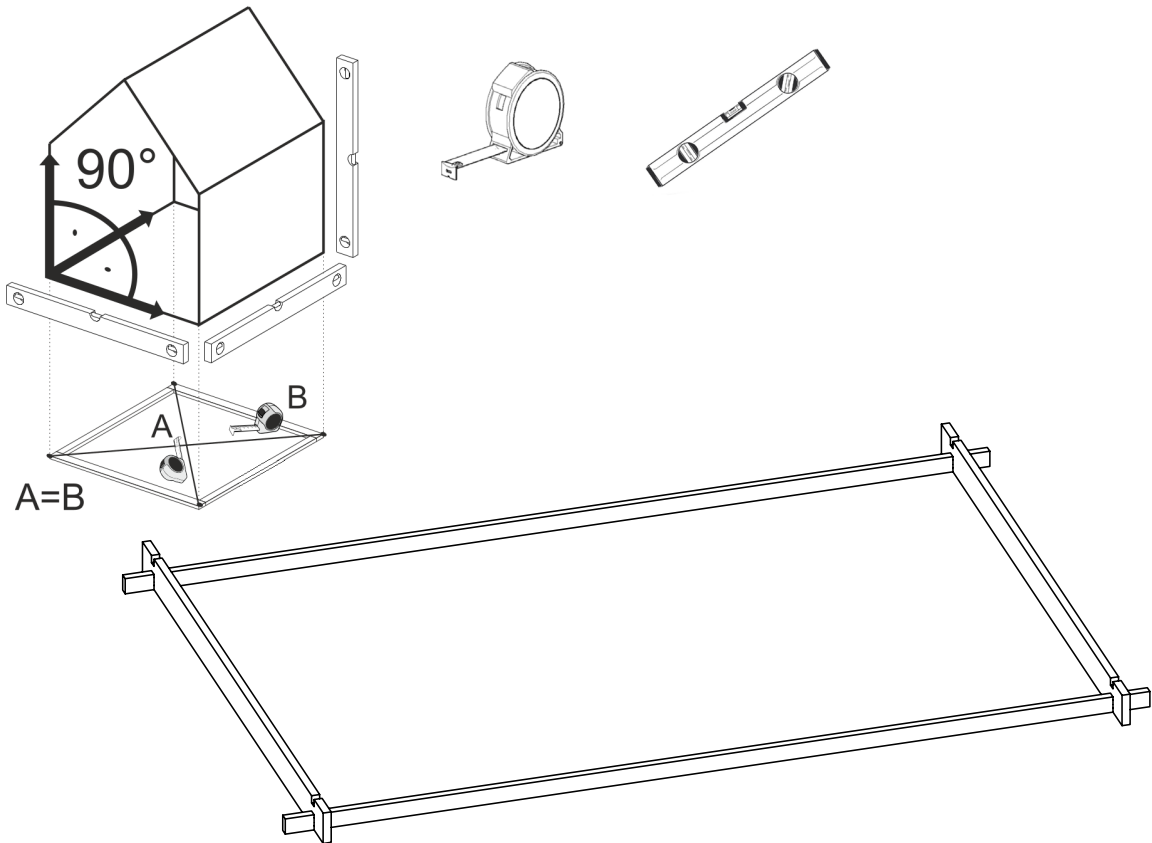


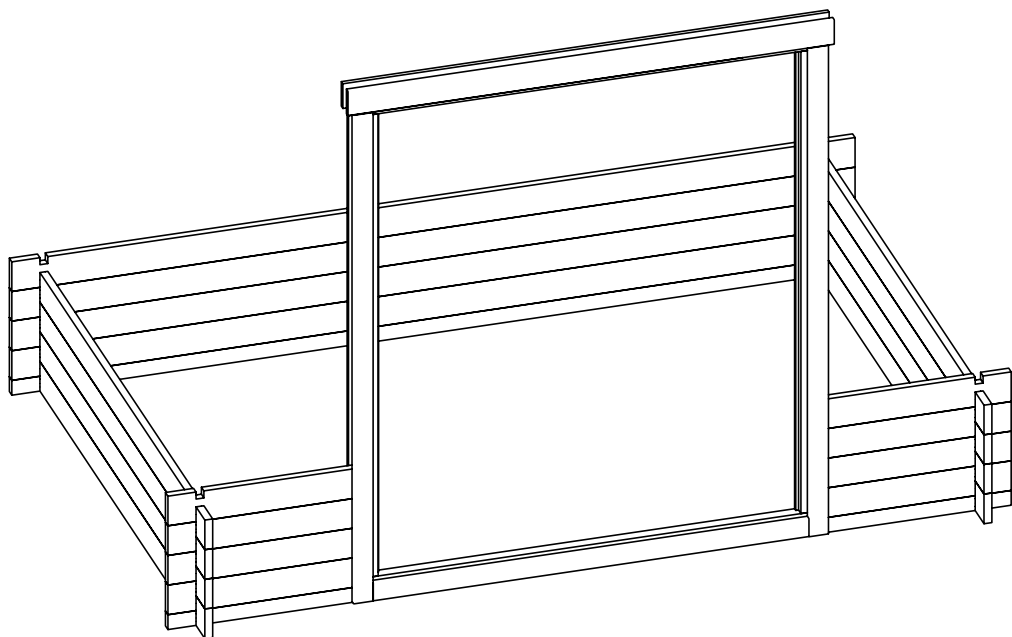
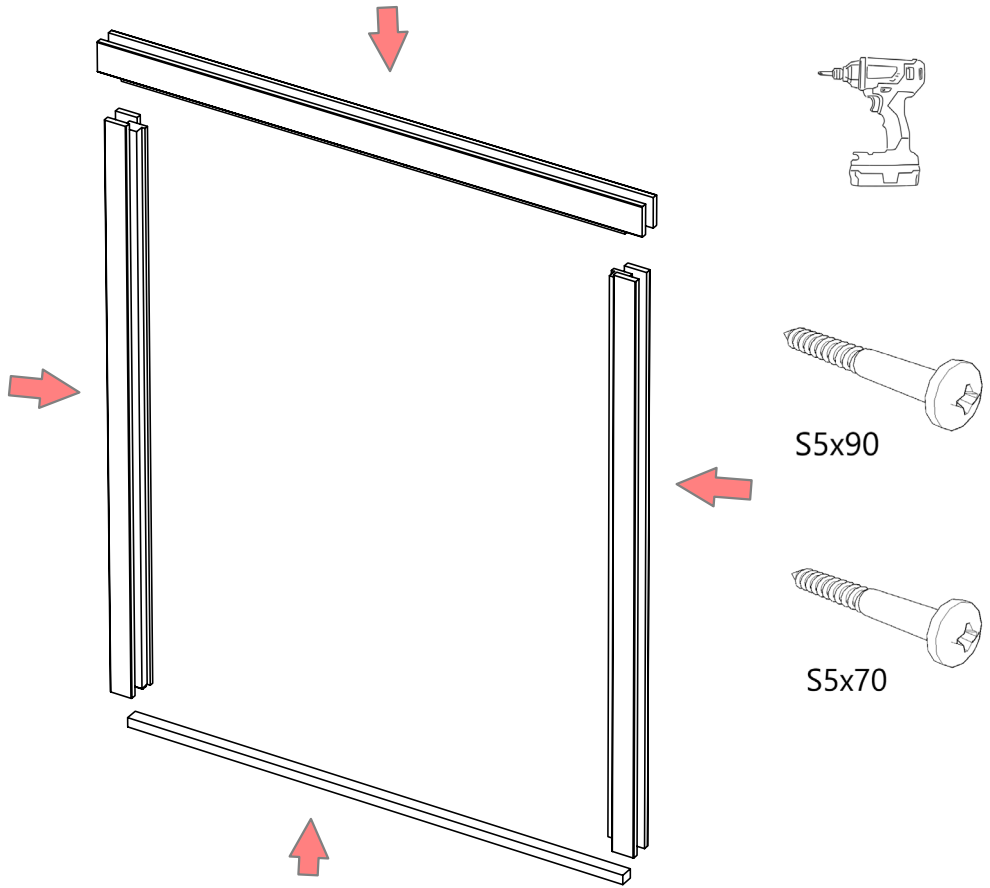
Alphol 

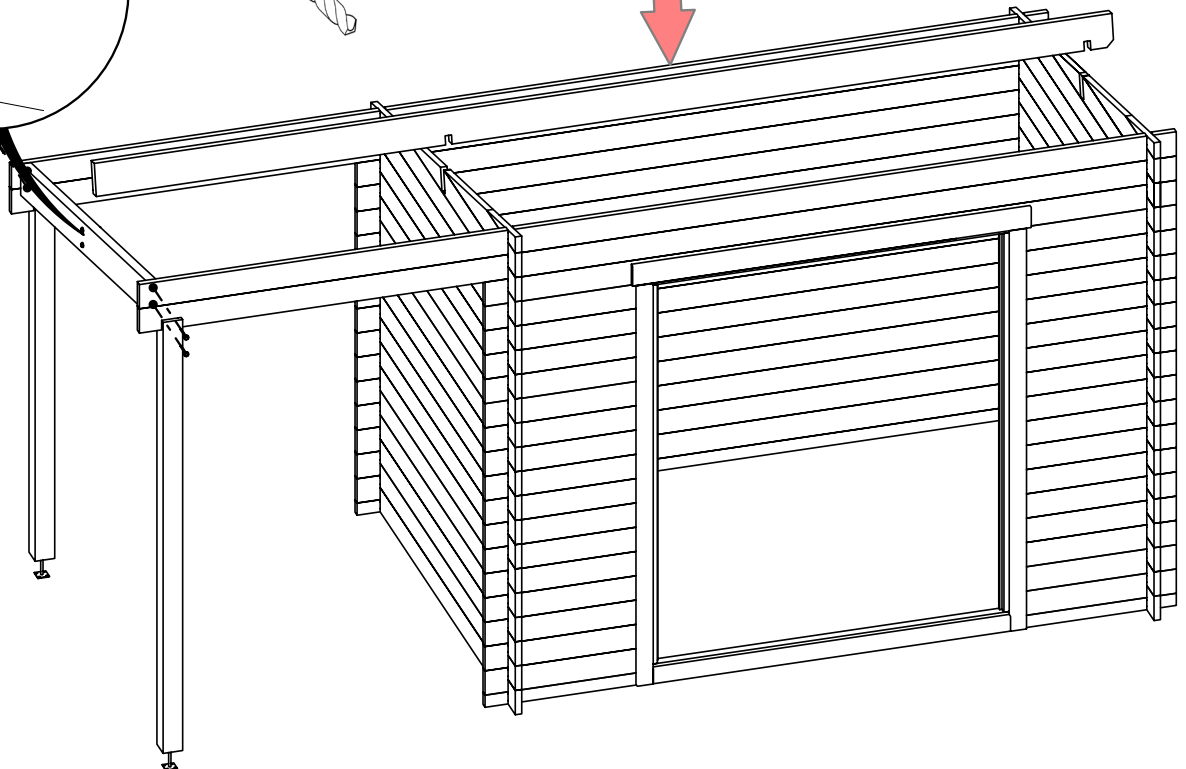
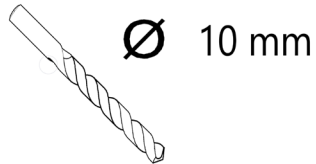
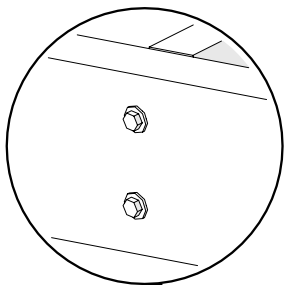
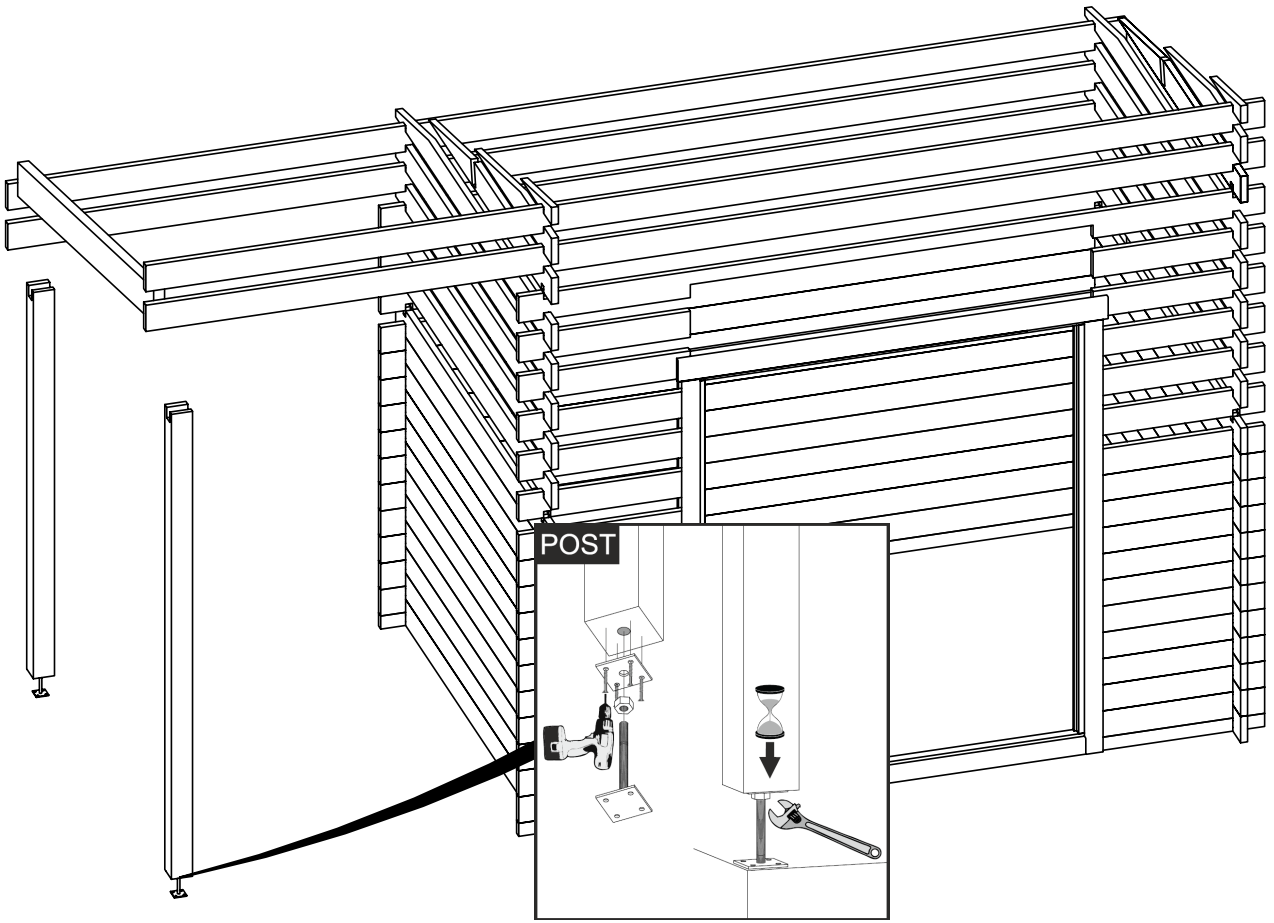


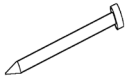
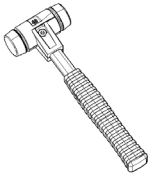
**Martina 28 SD**



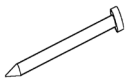
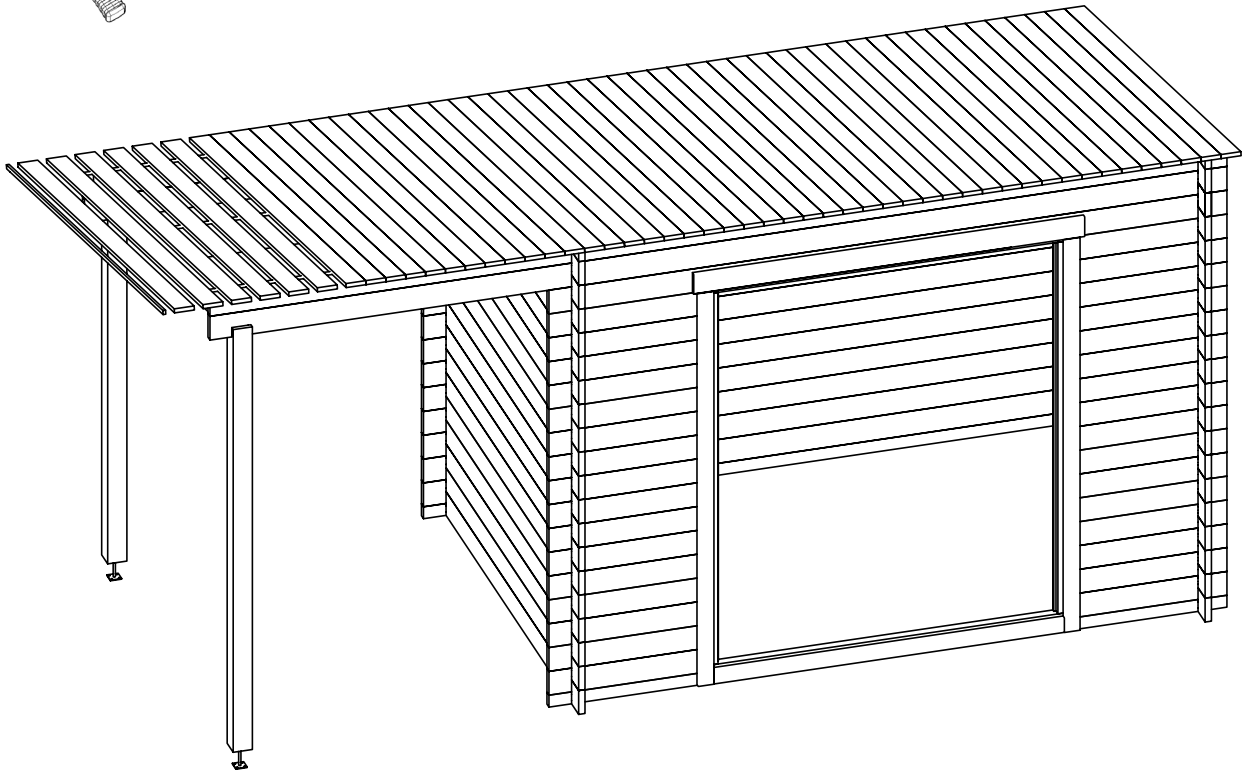
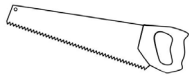




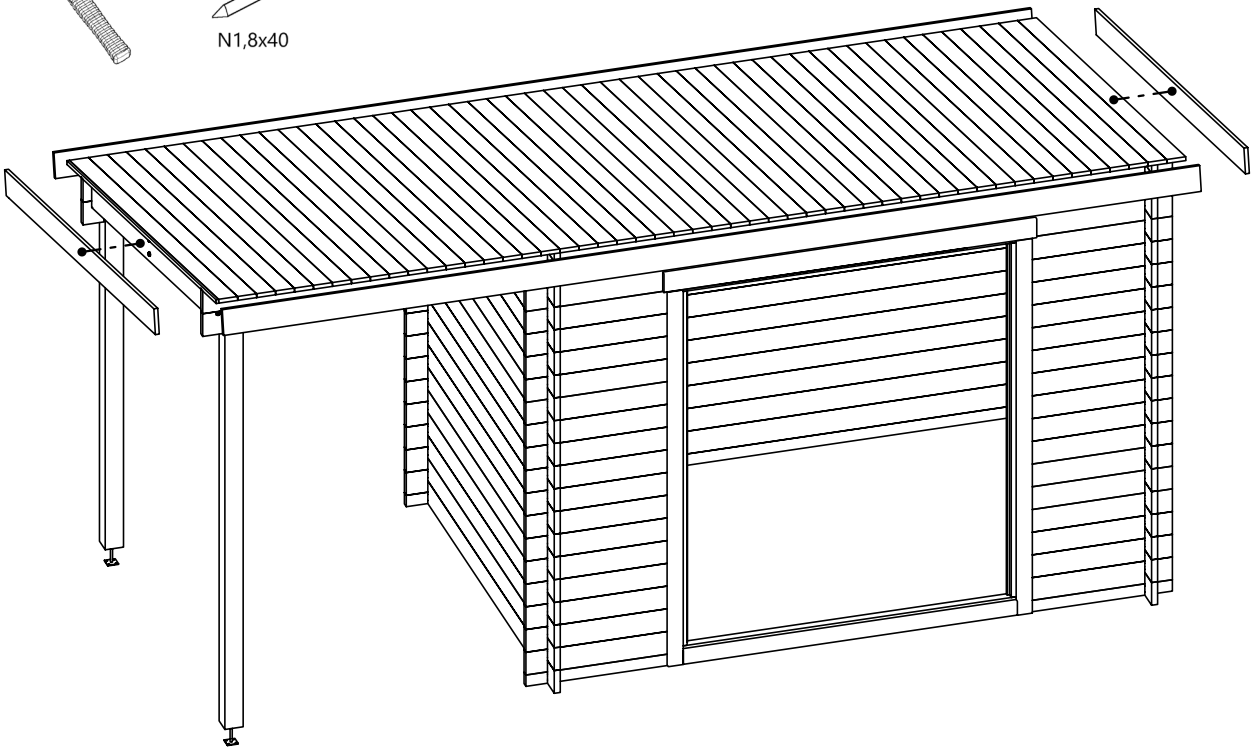


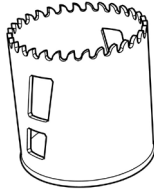
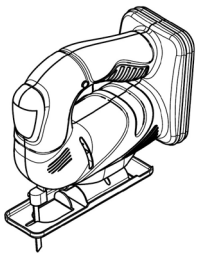
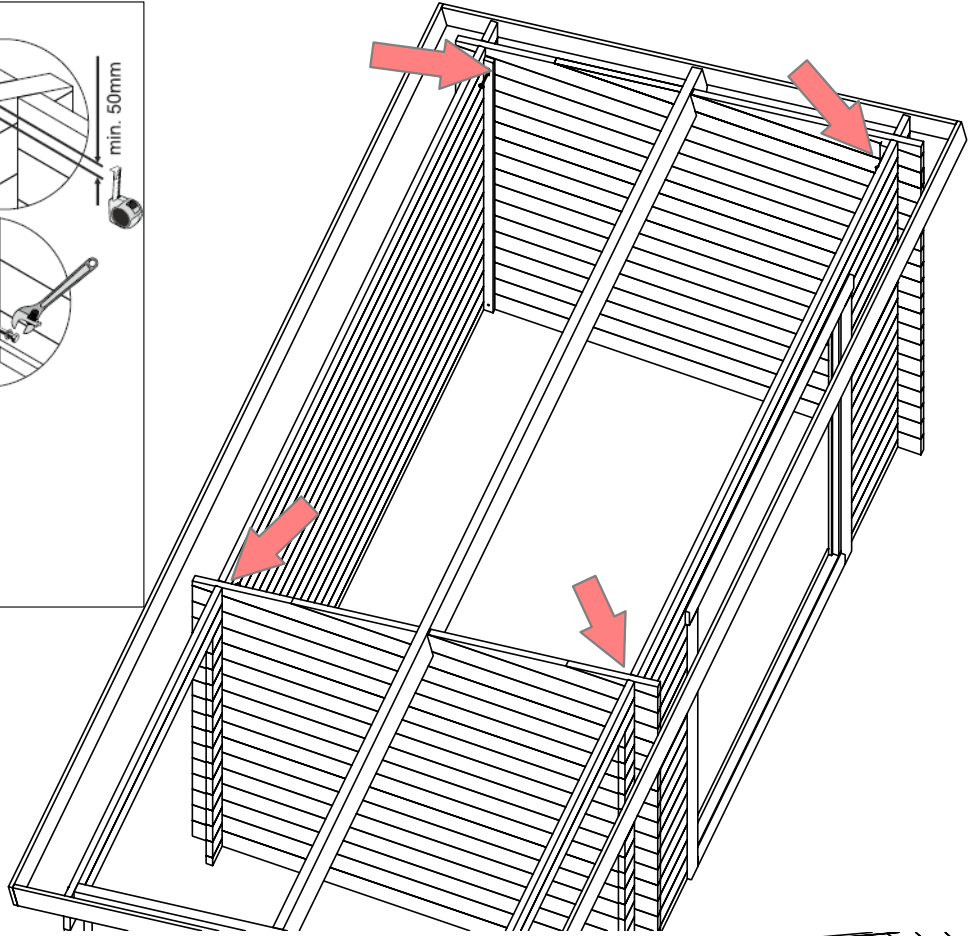
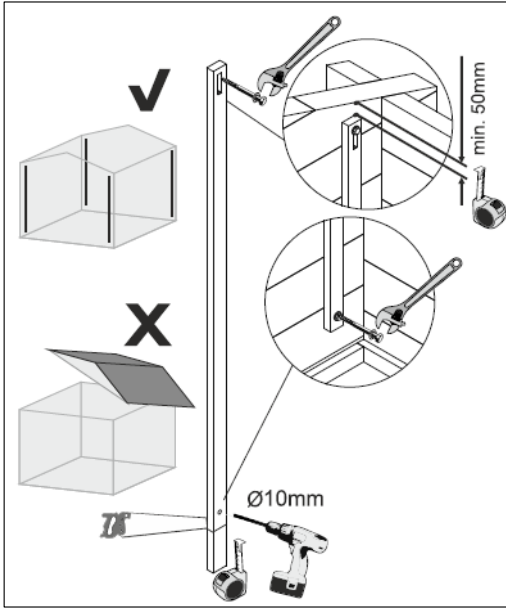


N1,8x40

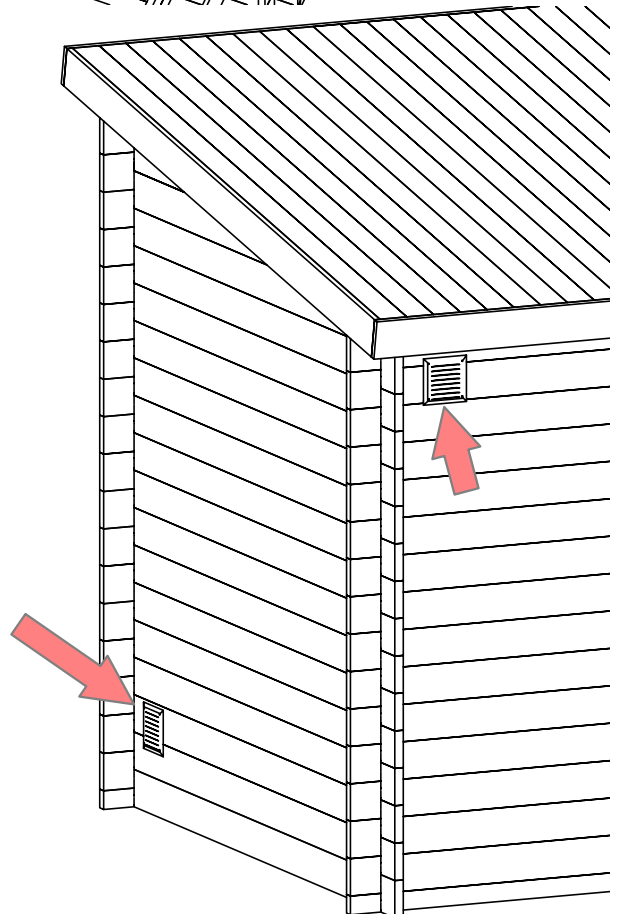
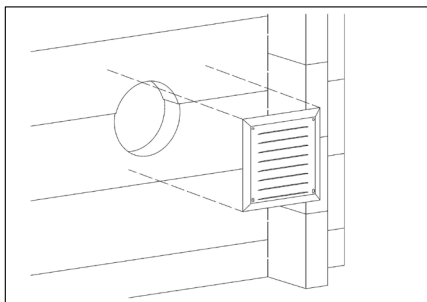
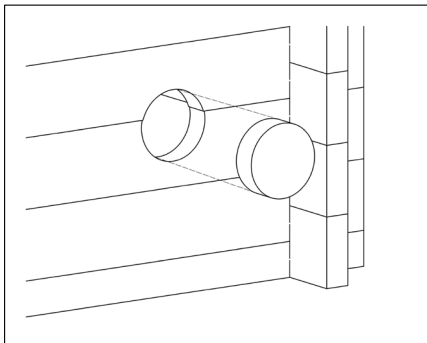


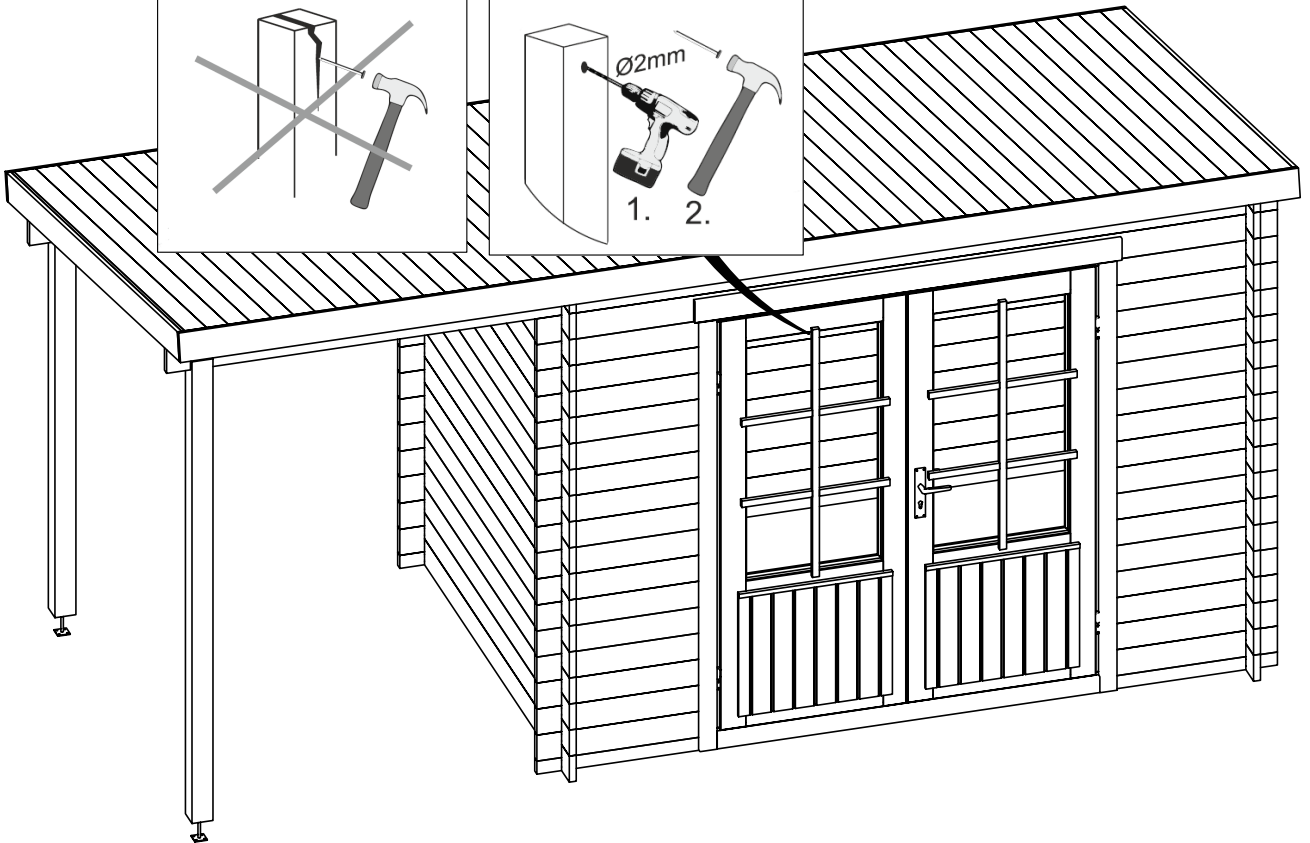
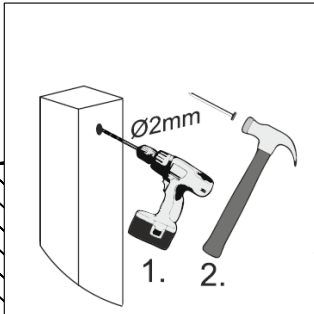
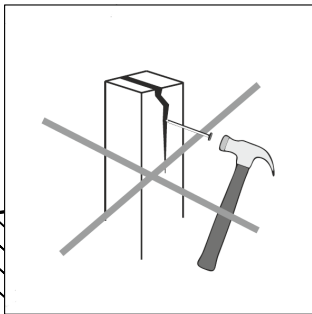
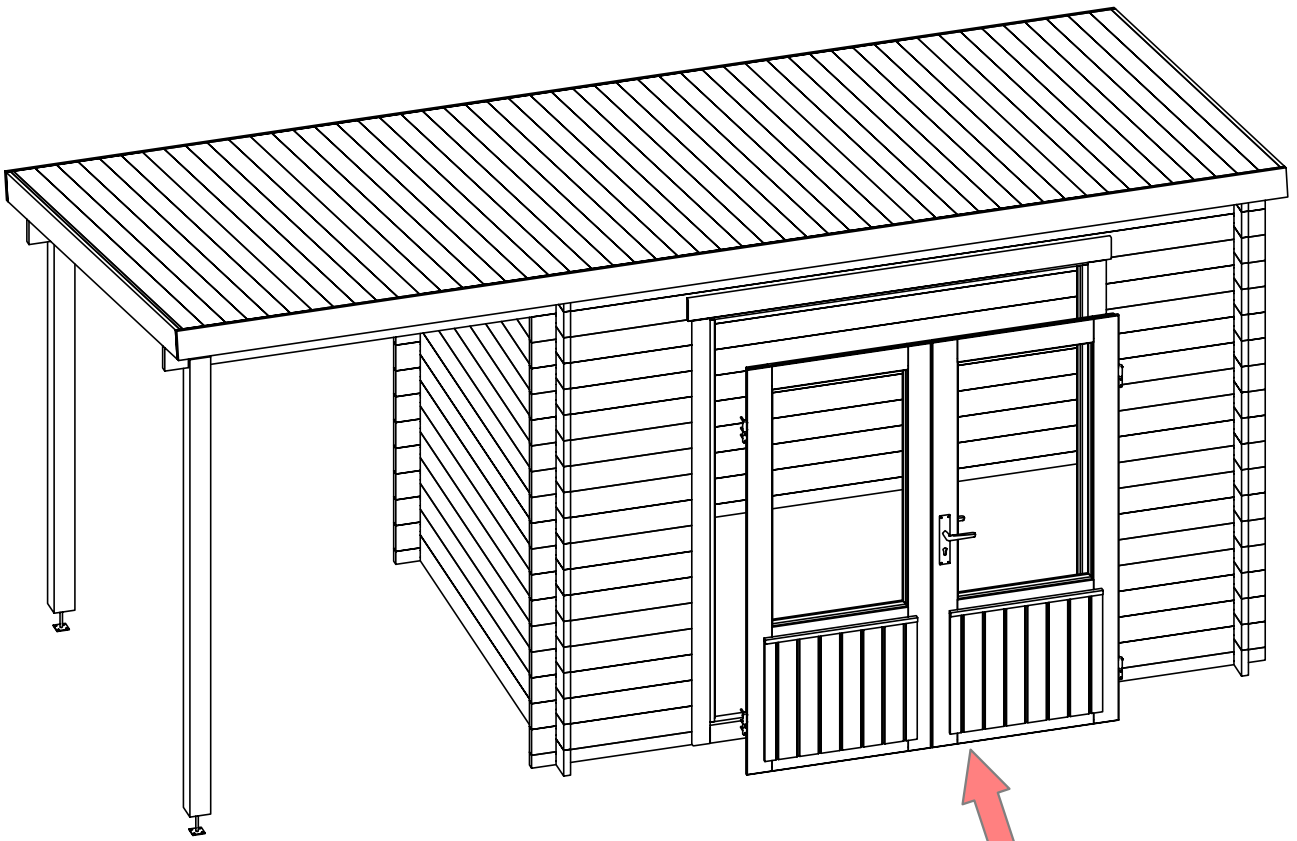
N1,8x40



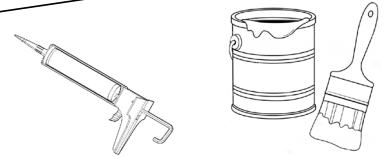
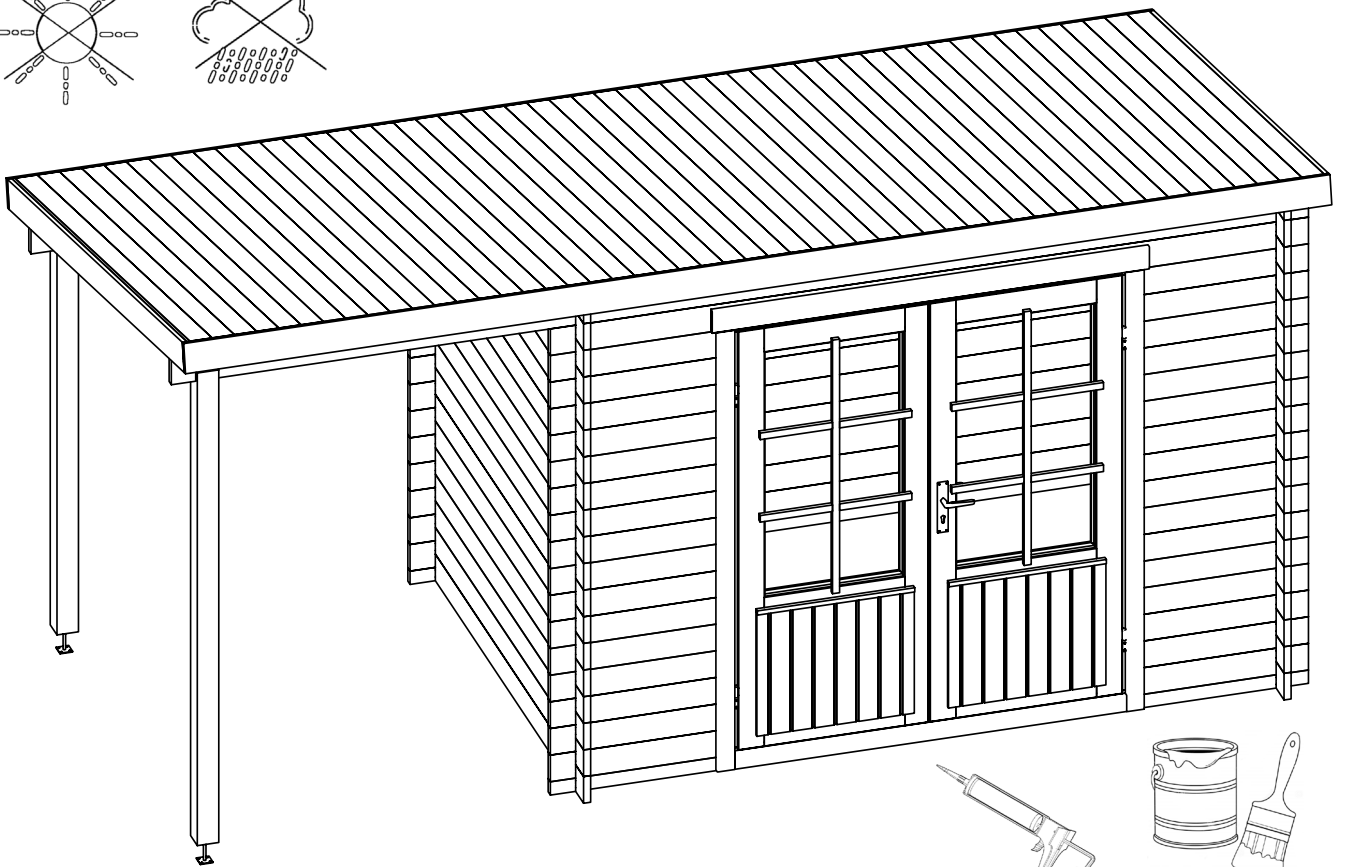
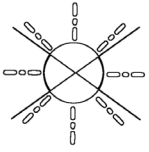


Ø ca 130mm

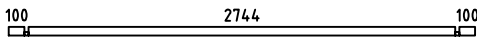
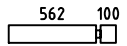
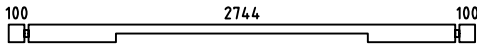
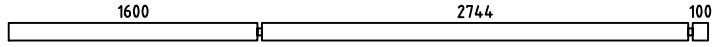
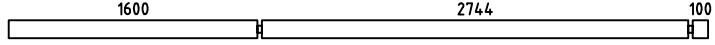
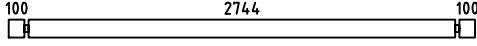
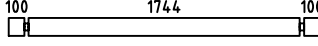
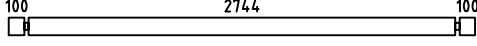
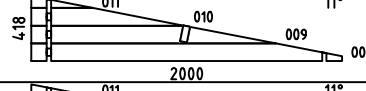
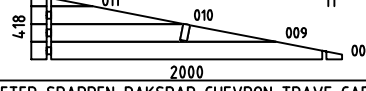
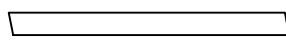
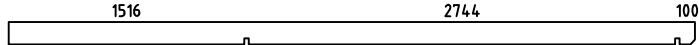
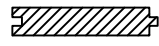
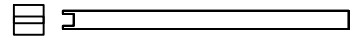
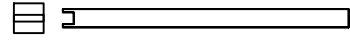
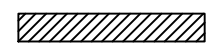

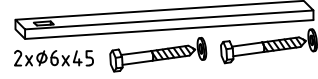

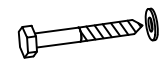

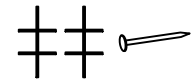




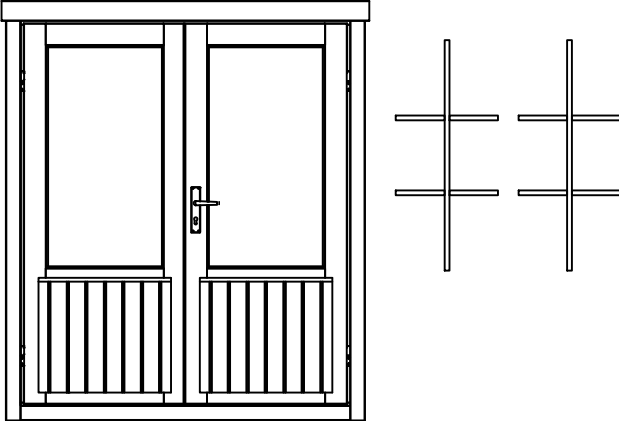




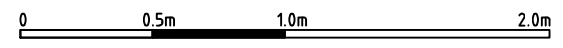
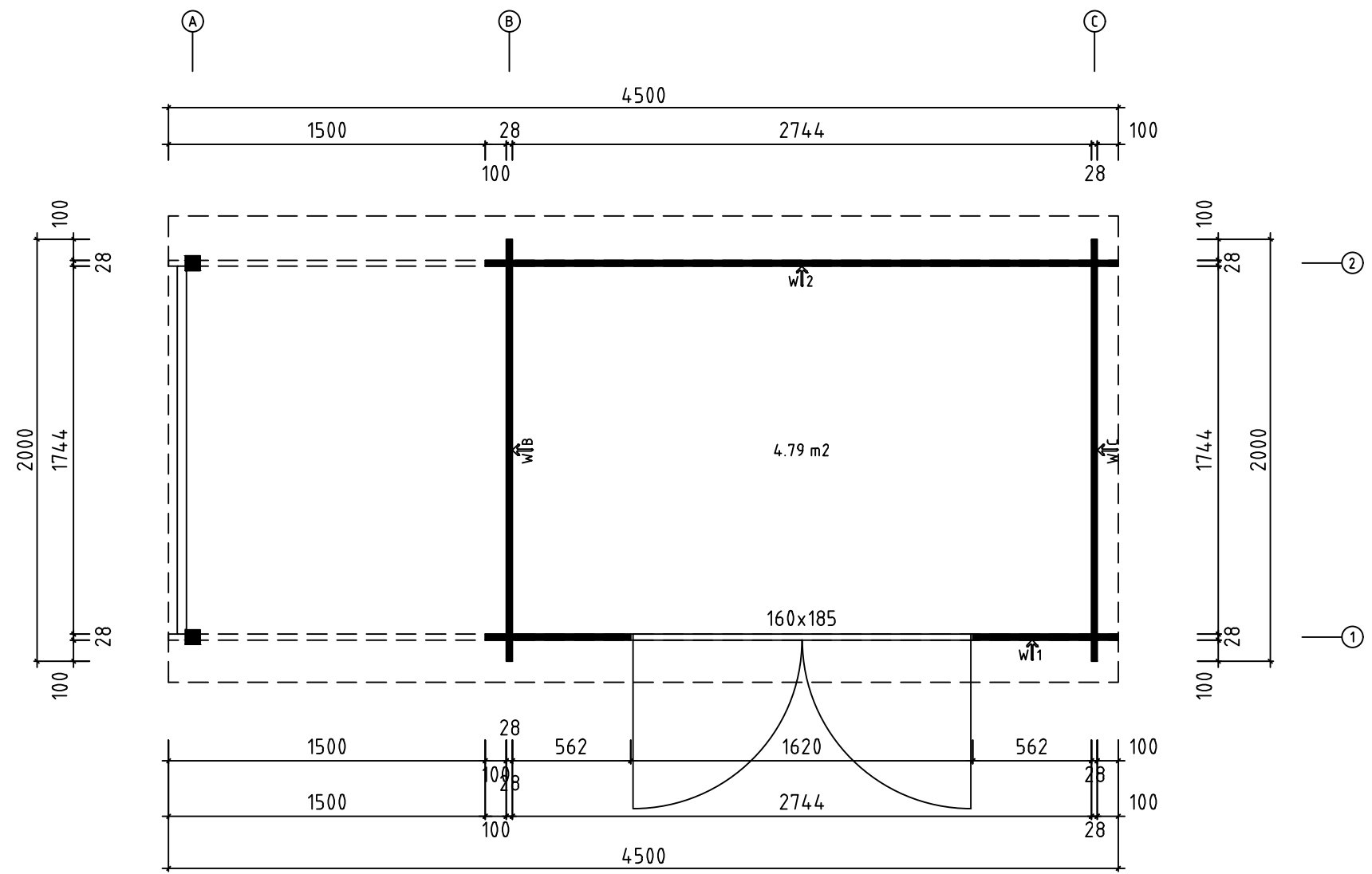




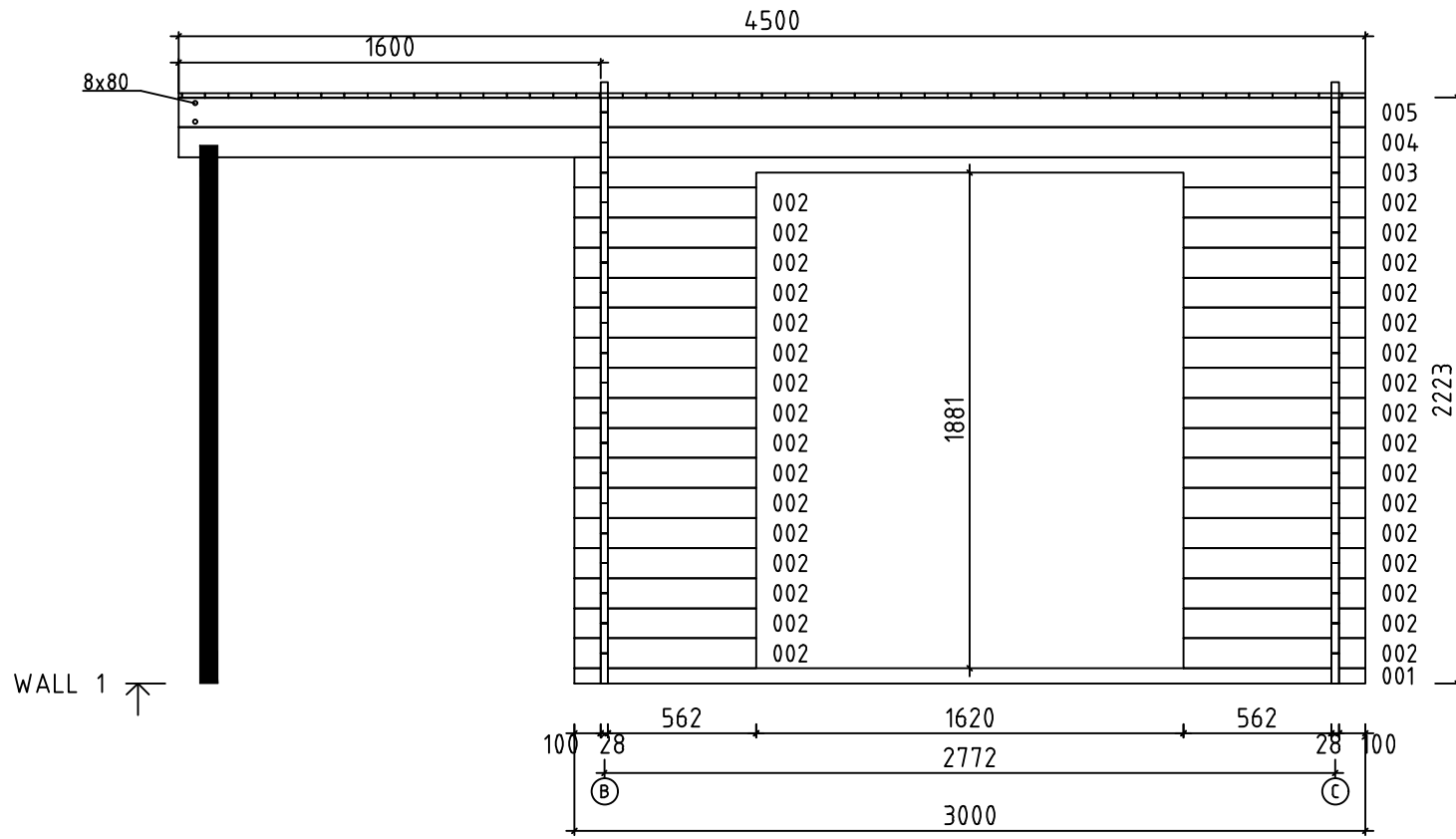
Pos	Specification-Spezifikation-Specificatie-Nomenclature-Elementi-Especificacion Martina 28 SD	Qty	Profile (mm)	Lenght (mm)		
001		2	28x57	3000		
002		32	28x114	690		
003		1	28x114	3000		
004		2	28x114	4500		
005		2	28x114	4500		
006		14	28x114	3000		
007		32	28x114	2000		
EXTRA		1	28x114	3000		
WB-1		1				
WC-1		1				
RT1	RAFTER-SPARREN-DAKSPAR-CHEVRON-TRAVE-CABRIO 	1	44x144	1804		
PL1	PURLIN-DACHPFETTE-PANNE-ARCARECCIO-VIGUETA DE TEJADO 	1	44x144	4416		
R-1	Roof board-Dachbrett-Dakplank-Volige-Tavola tetto-Tabla de tejado 	52+1 40+1	88x18 114x18	2250		
	-POST 8.5x8.5 	1	85x85	1700		
	-POST 8.5x8.5 	1	85x85	2040		
GB-1	Gable board 120-Giebelblende-Gevelplank-Planche de rive-Tavola di bordo-Tabla de borde 	2	18x120	2290		
GB-2	Gable board 120-Giebelblende-Gevelplank-Planche de rive-Tavola di bordo-Tabla de borde 	2	18x120	4536		
SS-1	Storm slat kit-Sturmleiste satz-Stormanker set-Kit de latte anti tempête-Kit listello di tempesta-Kit liston anti tormenta 	4	18x40	2000		
	Adjustable foot kit-Pfostenträger-Paalhouder-Pied de poteau-Portapilastrri-Base para poste 	2				
C8x80	Coach screw kit 8x80-Holzschraube-Houtdraadbout-Tirefond-Vite tirafondo-Tornillo entrenador 	6	8x80			
	Double door kit-Doppeltür satz-Dubbele deur set-Kit double porte-Kit porta-Kit para puerta 	1				
	Nail 1.6x30-Nagel-Spijker-Clou-Chiodo-Clavo 	15	1.6x30			
	Nail 1.8x40-Nagel-Spijker-Clou-Chiodo-Clavo 	180	1.8x40			
Kood	Martina 28 SD	Materjal	File	Martina 28 SD.dwg	Leht	1/2

Pos	Specification-Spezifikation-Specificatie-Nomenclature-Elementi-Especificacion Martina 28 SD	Qty	Profile (mm)	Lenght (mm)
	Ventilation panel kit-Außengitter-Schoepenrooster-Panneau de ventilation-Griglia di ventilazione-Rejilla de ventilacion 	1		
	DOOR 1600x1850 DD06-6 H 1600x1850-28 	1		
Kood	Martina 28 SD	Materjal	File	Martina 28 SD.dwg
		Leht	2/2	

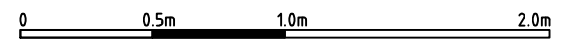
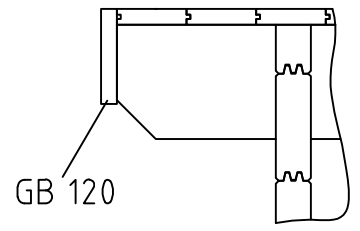
H = 1.400 m  
TOTAL: 4.79 m<sup>2</sup>



Model	Martina 28 SD	Drawing	PLAN	Page	
		Drawn by	J.S	Material	28x114
		Date	20.04.2023	File	Martina 28 SD.dwg
		Scale	1:20		

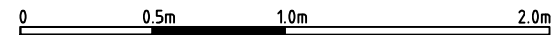
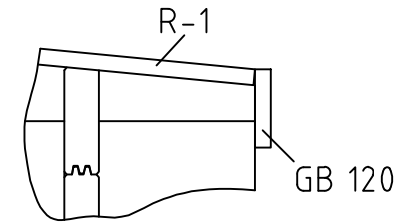
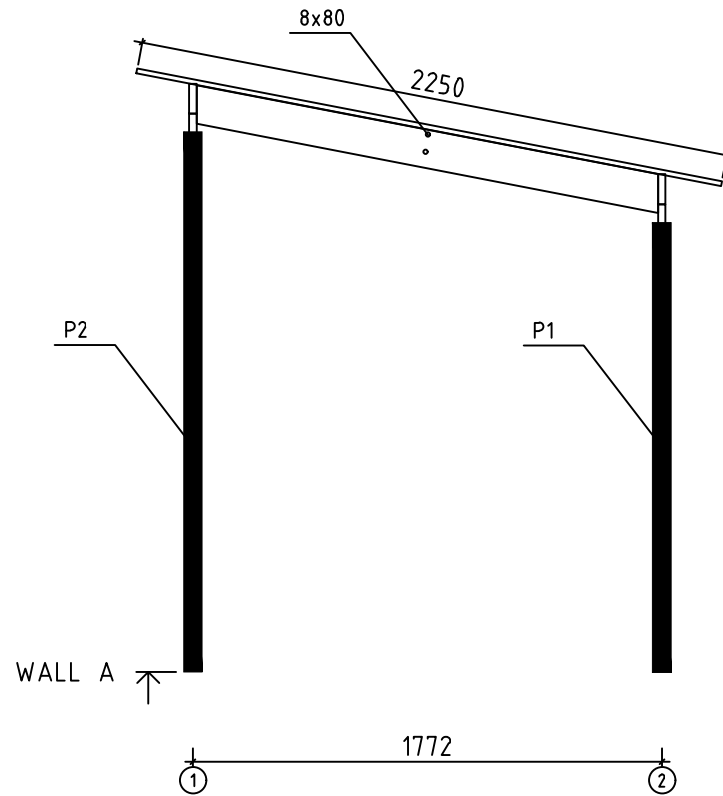
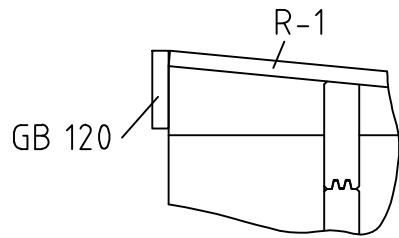



WALL 1 ↗



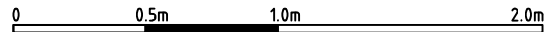
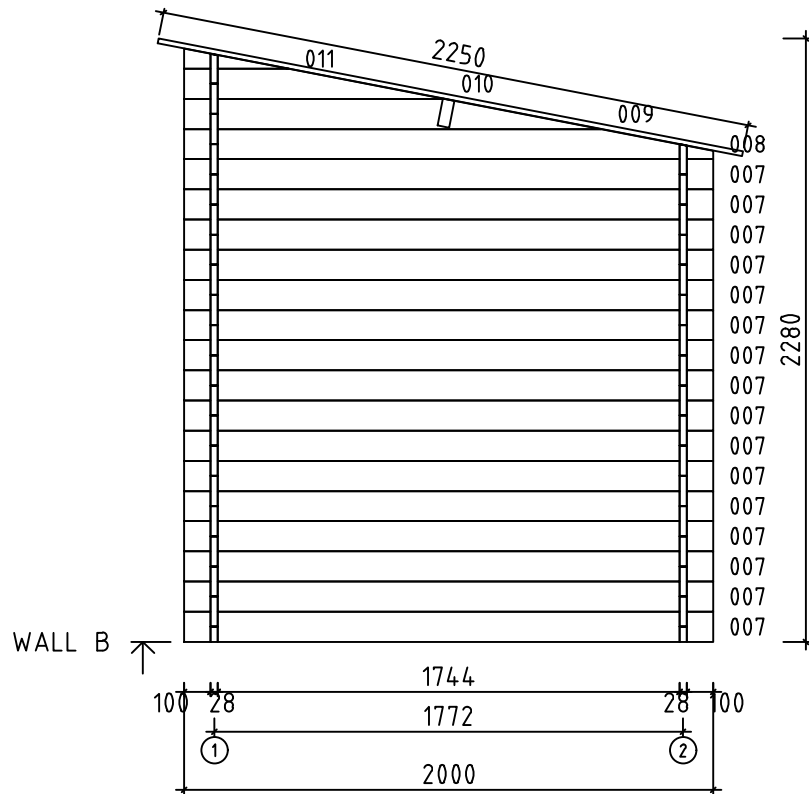
Model	Martina 28 SD	Drawing	WALL 1	Page	5
		Drawn by	J.S	Material	2.8x11.4
		Date	20.04.2023	File	Martina 28 SD.dwg
		Scale	1:20		



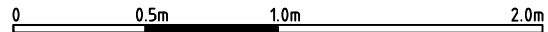
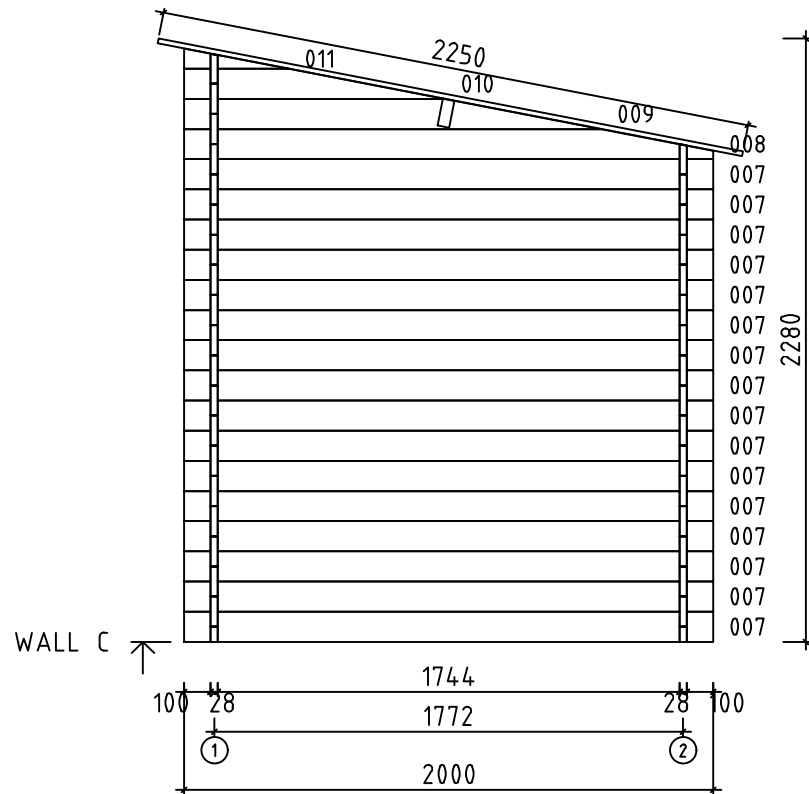


Model	Martina 28 SD	Drawing	WALL A	Page	2	
	Drawn by	J.S	Material	2.8x11.4	Scale	1:20
	Date	20.04.2023	File	Martina 28 SD.dwg		

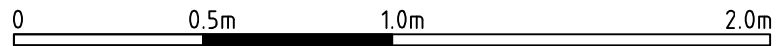
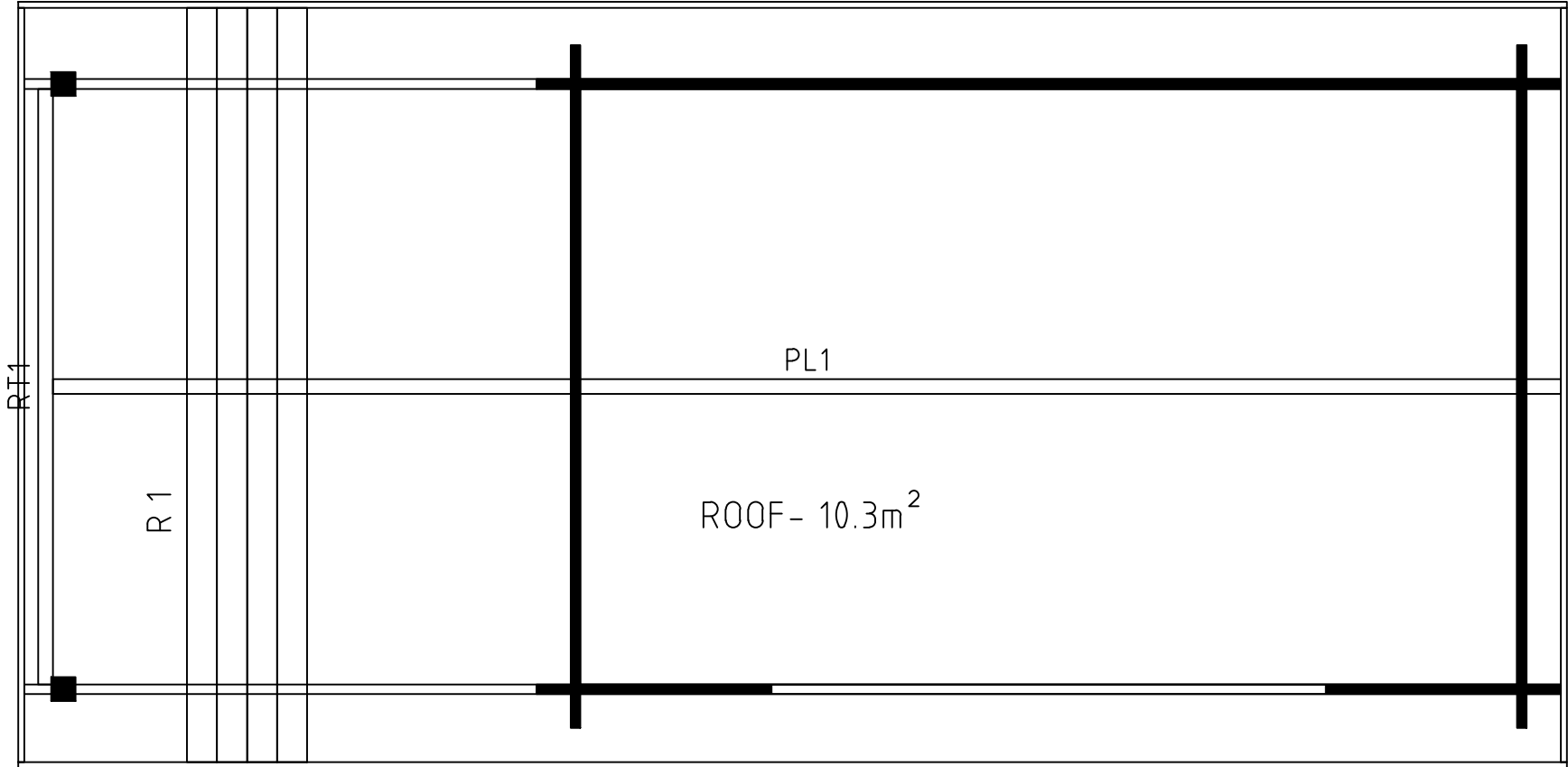





Model	Martina 28 SD	Drawing	WALL B	Page	3
		Drawn by	J.S	Material	2.8x11.4
		Date	20.04.2023	File	Martina 28 SD.dwg
		Scale	1:20		



Model	Martina 28 SD	Drawing	WALL C	Page	4
		Drawn by	J.S	Material	2.8x11.4
		Date	20.04.2023	File	Martina 28 SD.dwg
		Scale	1:20		



Model	Martina 28 SD	Drawing	ROOF	Page
	Drawn by	J.S	Material	28x114
	Date	20.04.2023	File	Martina 28 SD.dwg
			Scale	1:20