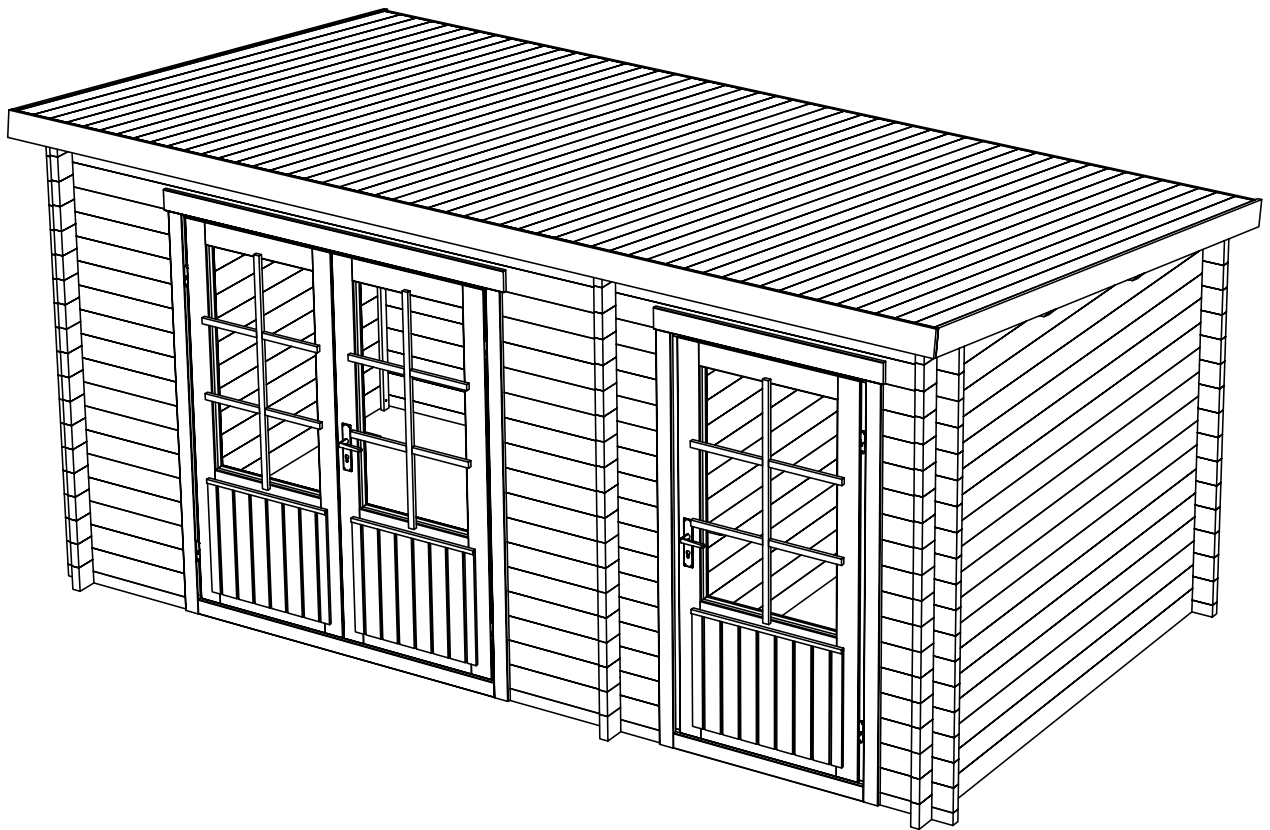
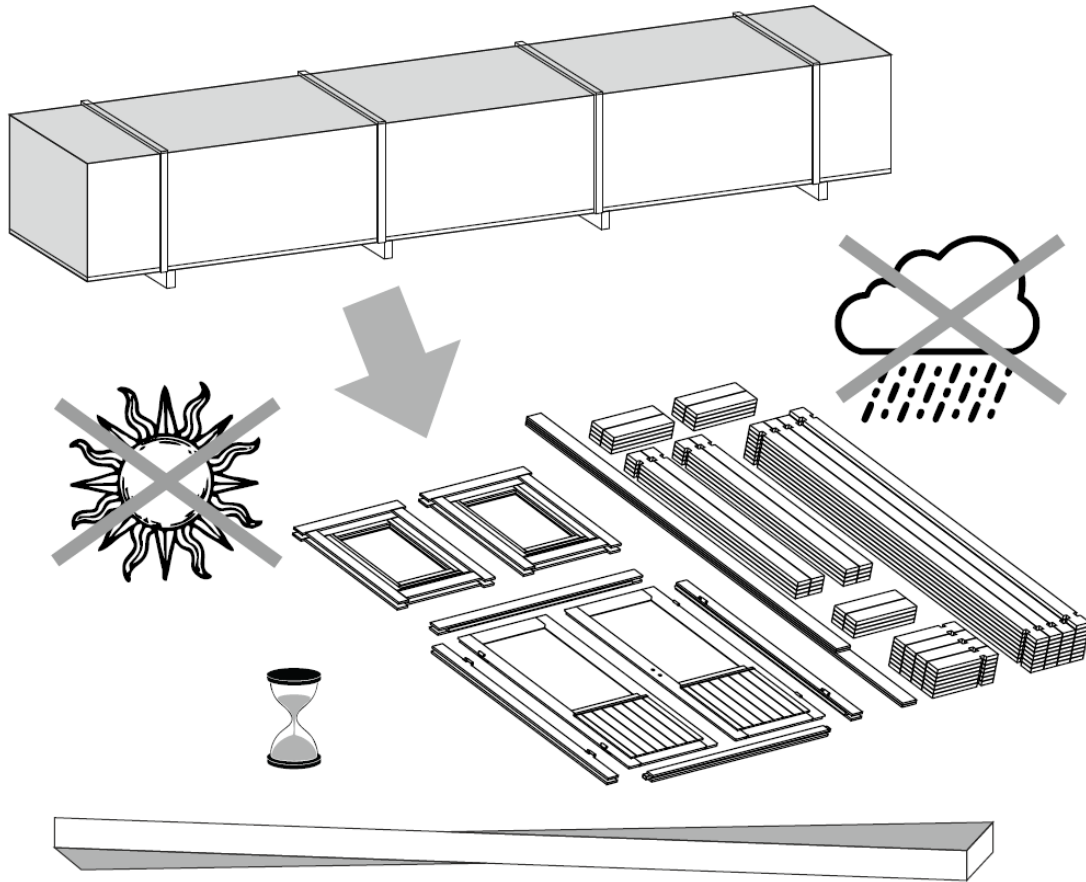
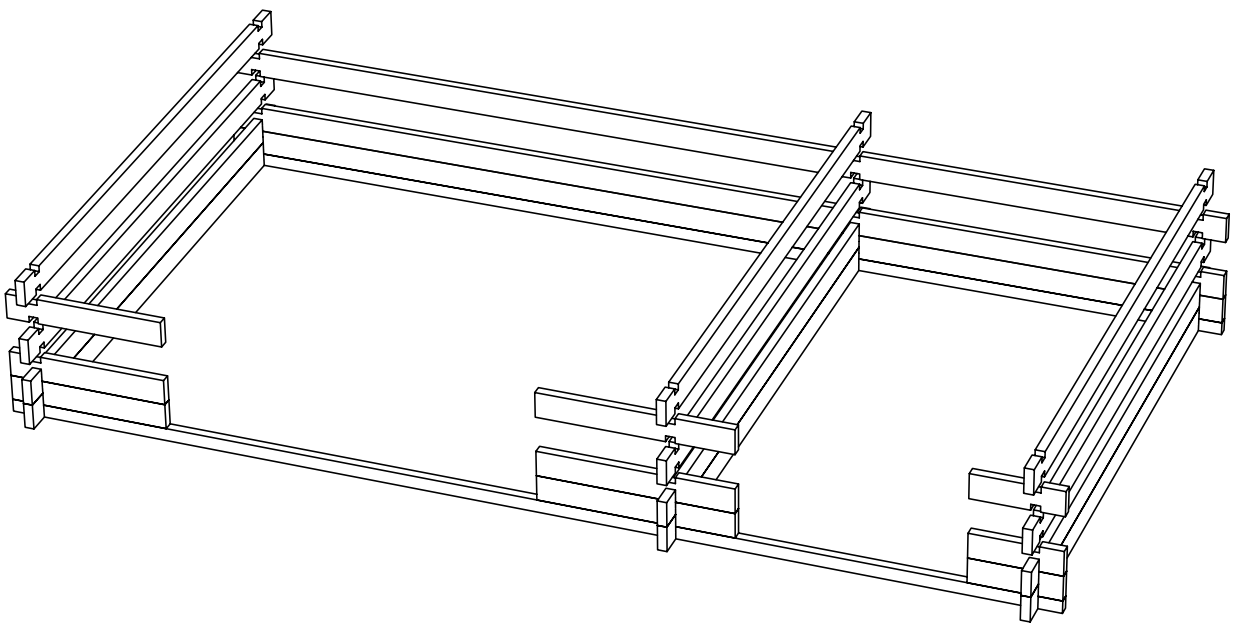
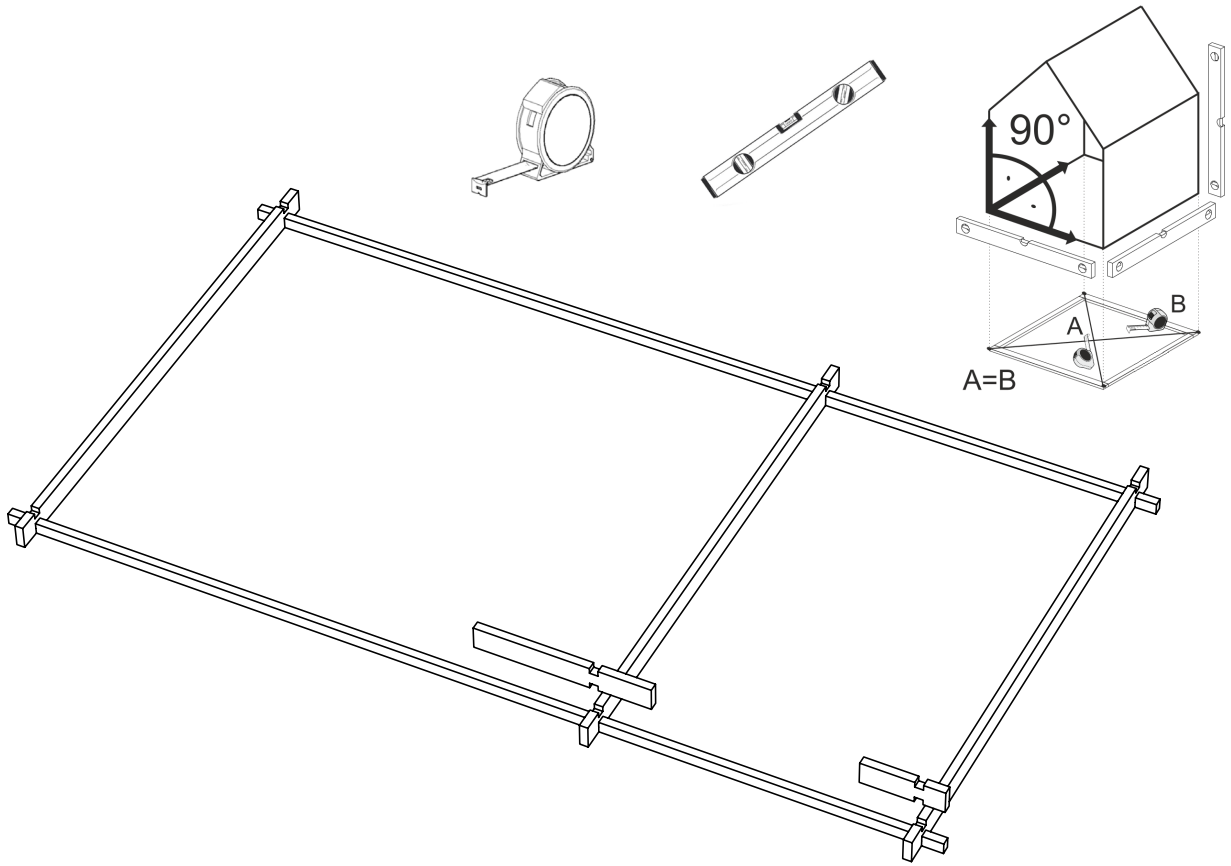


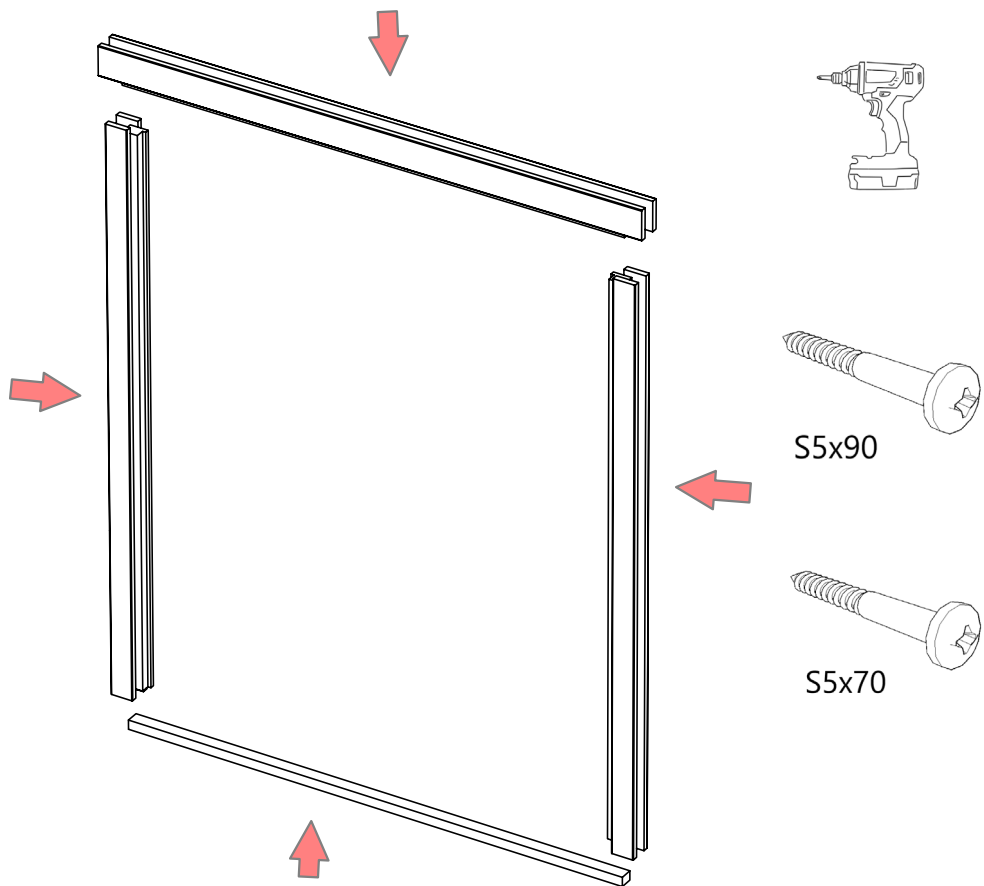
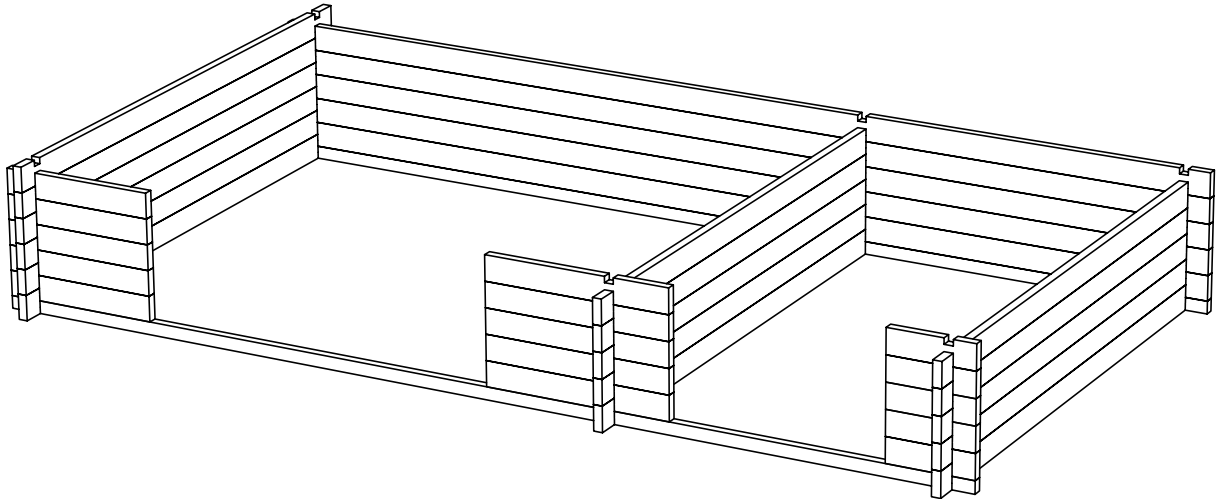
Alphol 



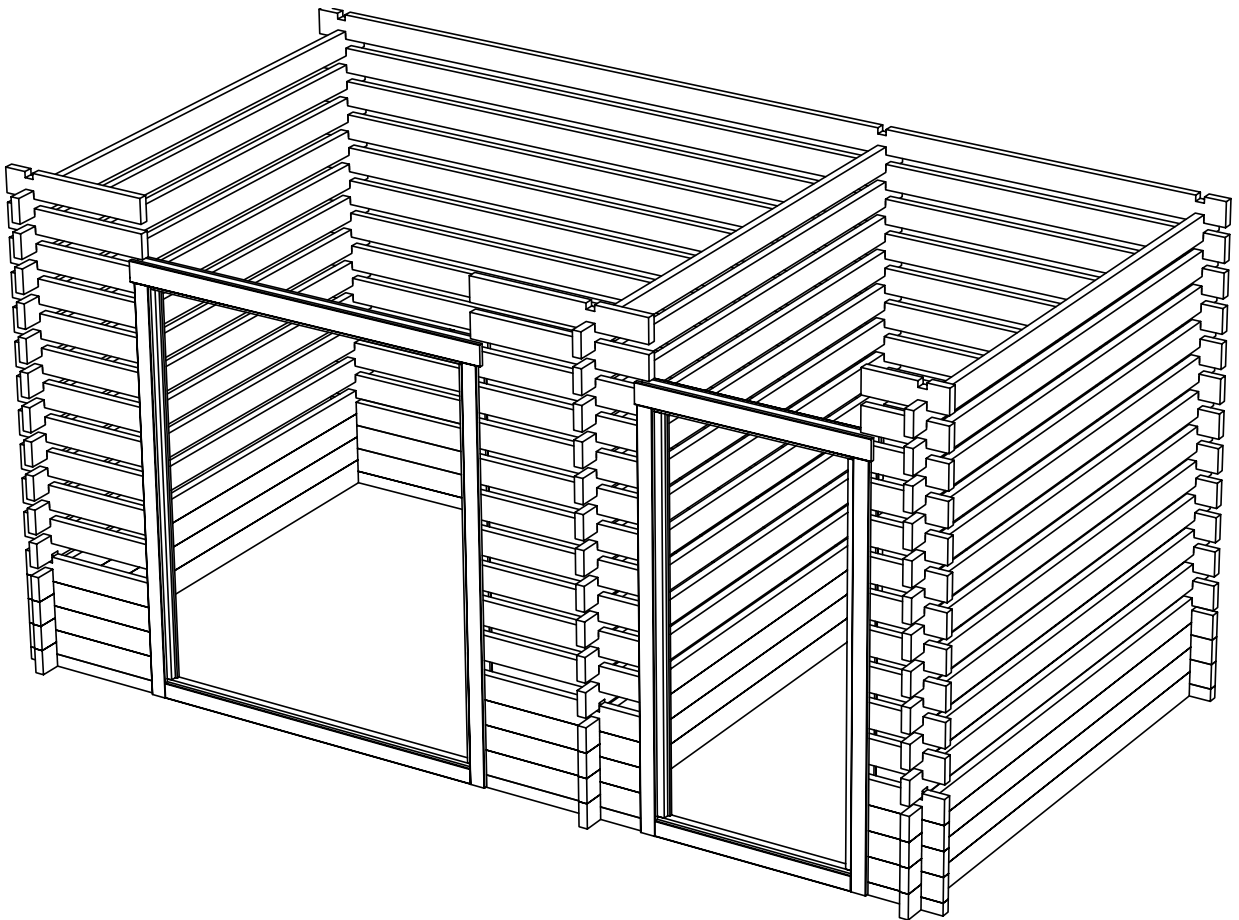
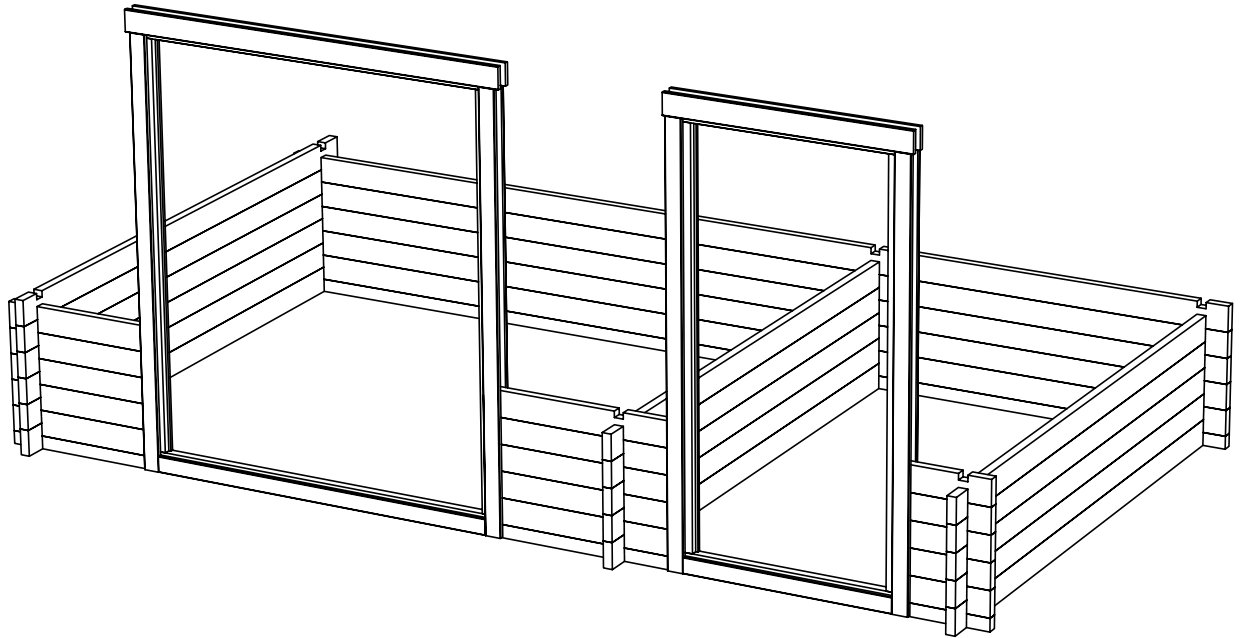
Maria 28 AB

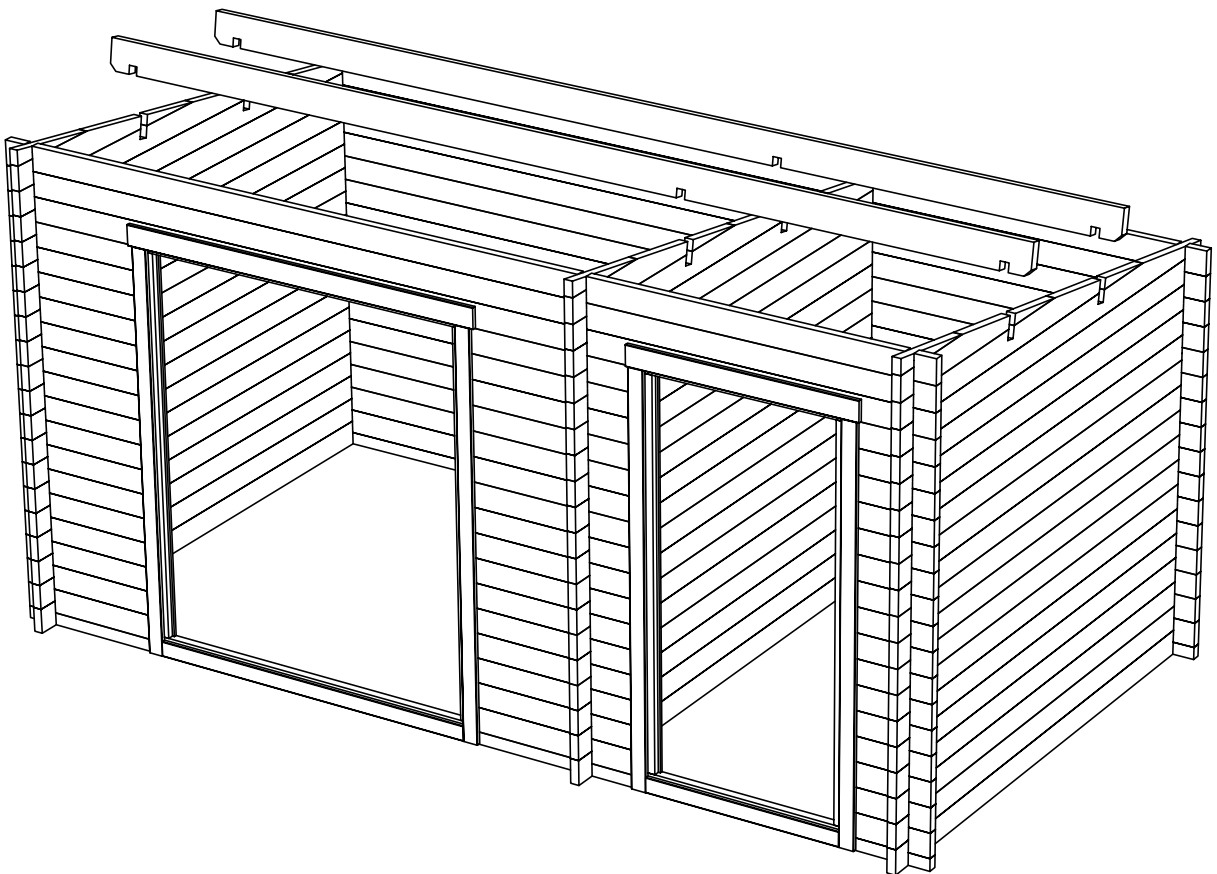
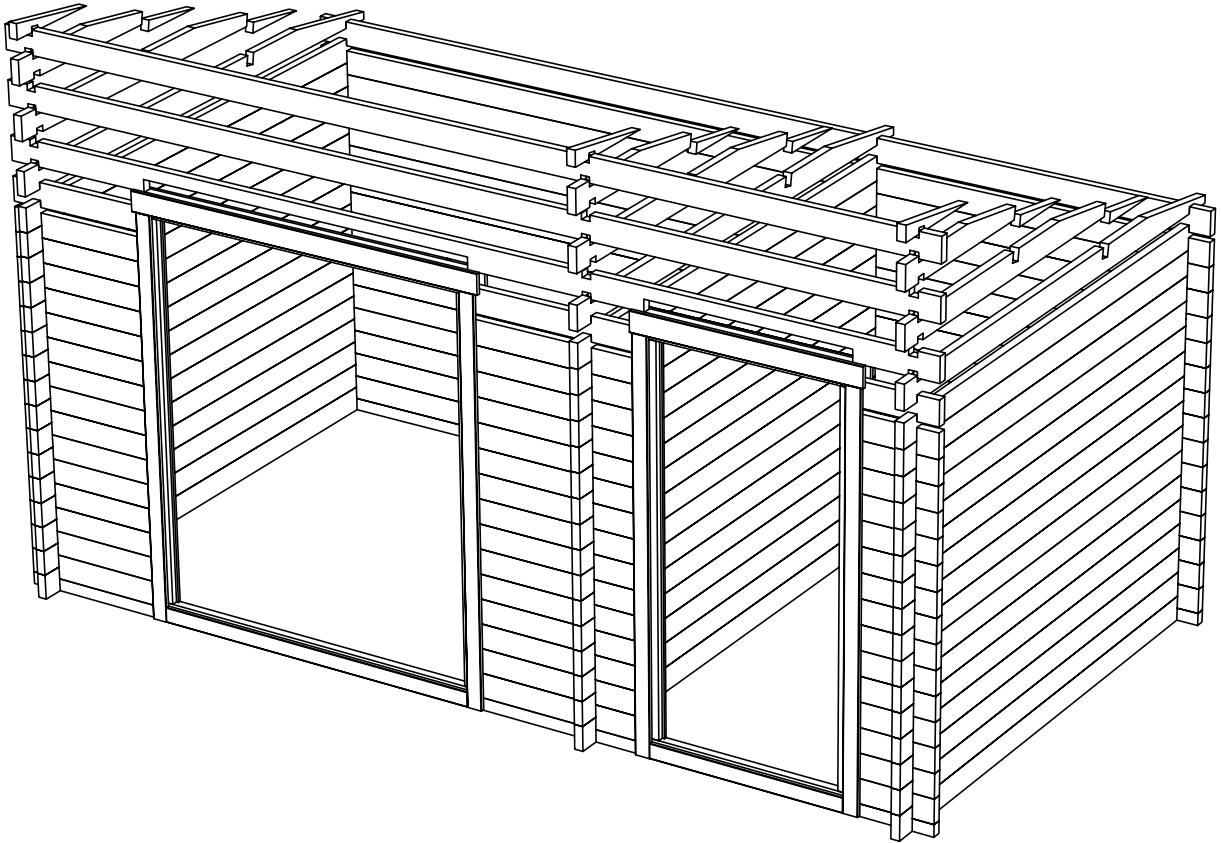


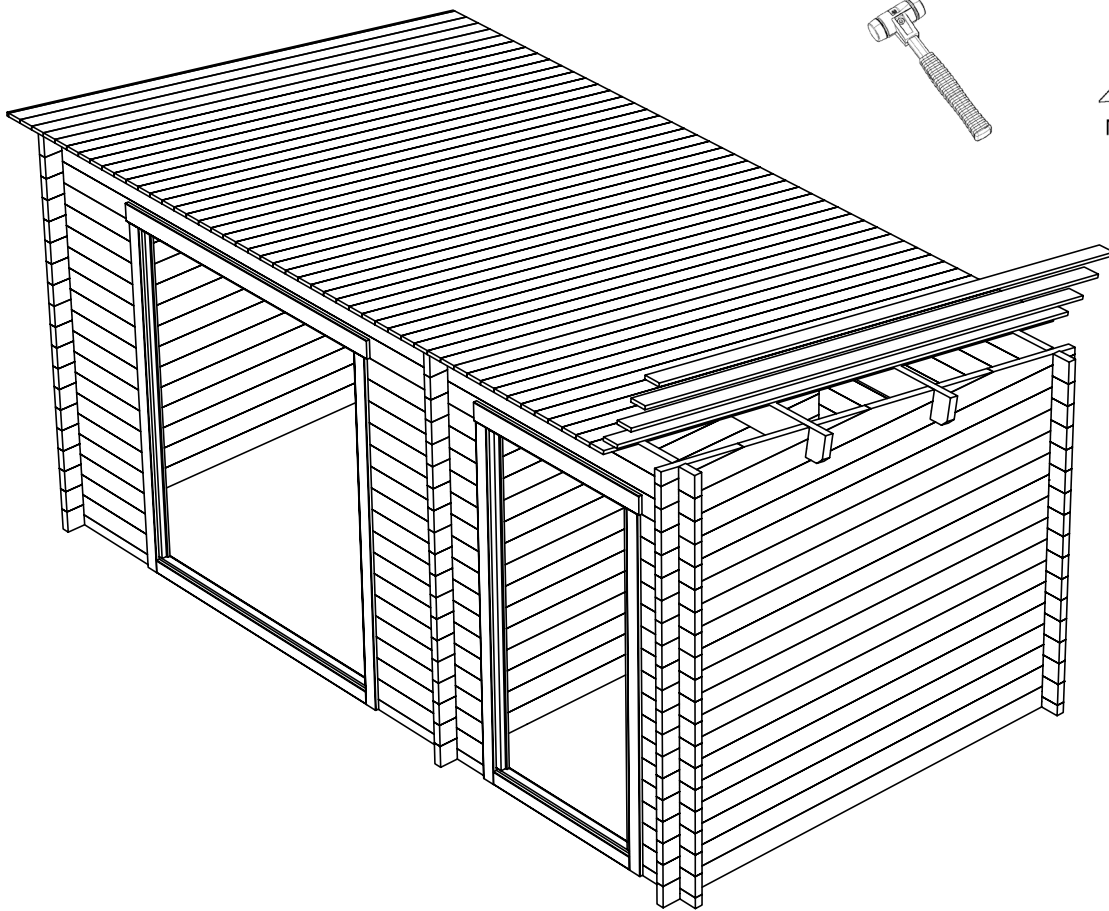




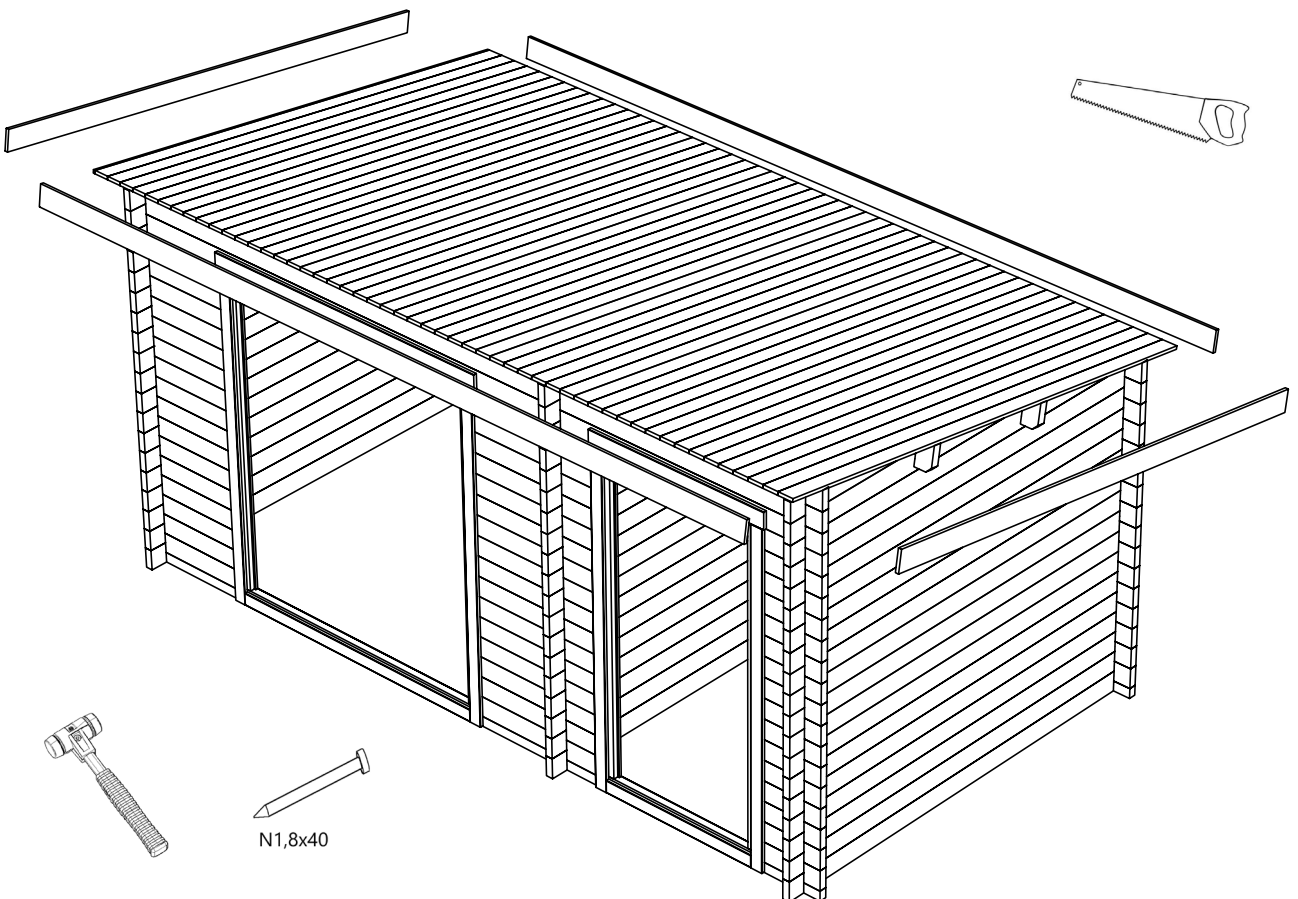
2



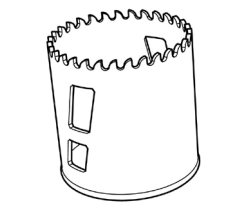
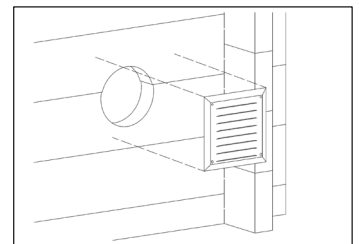
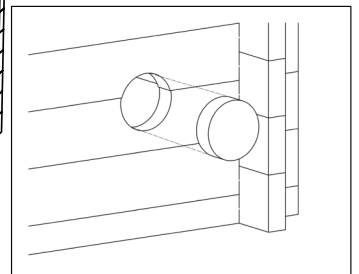
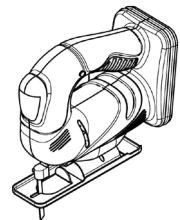
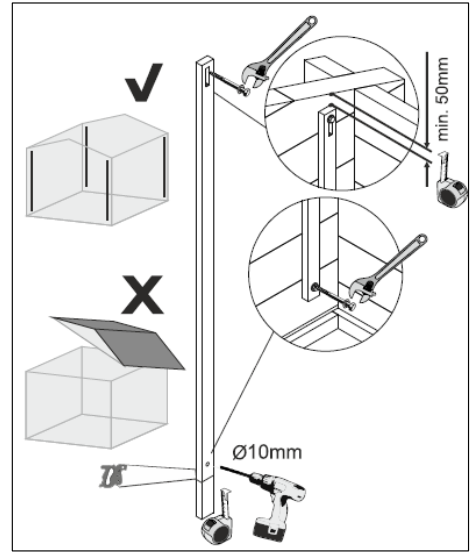
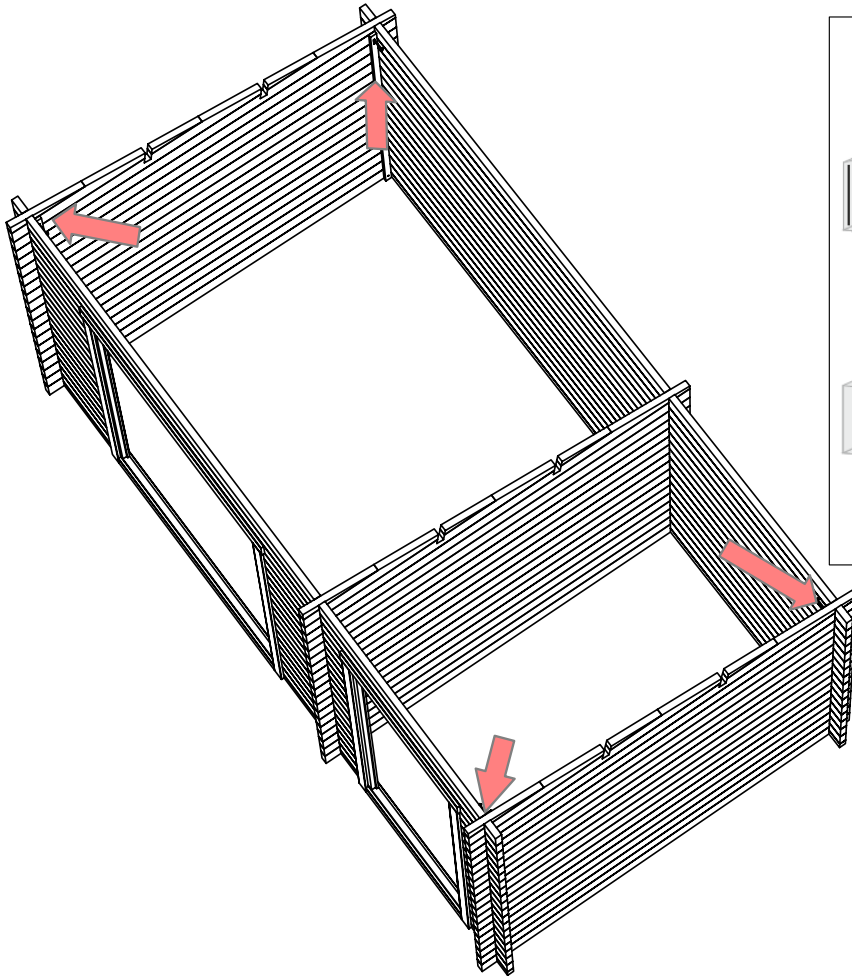




N1,8x40

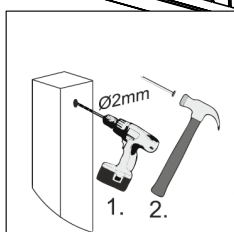
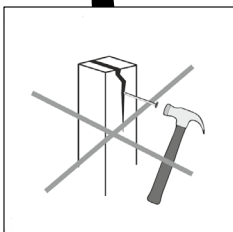
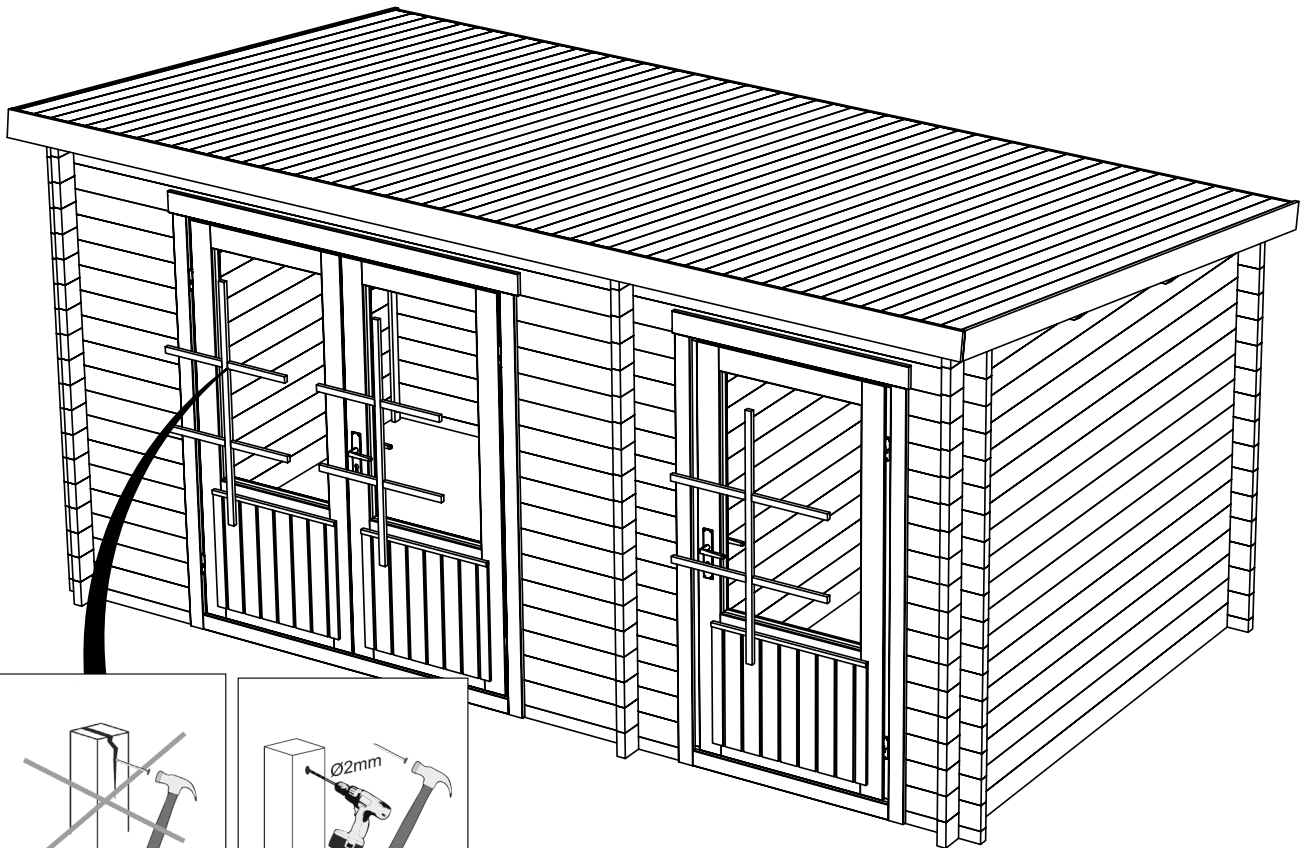
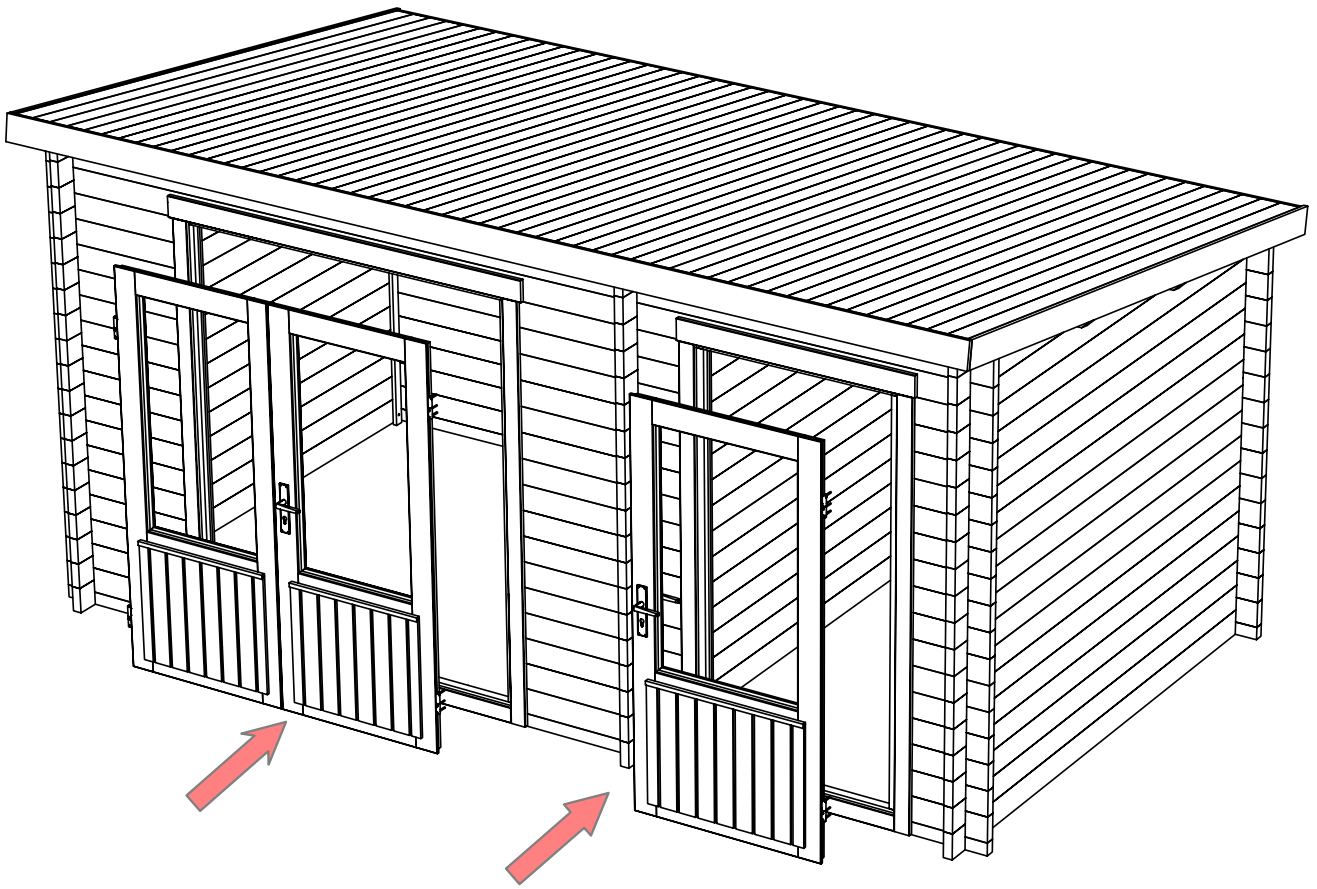


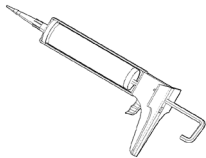
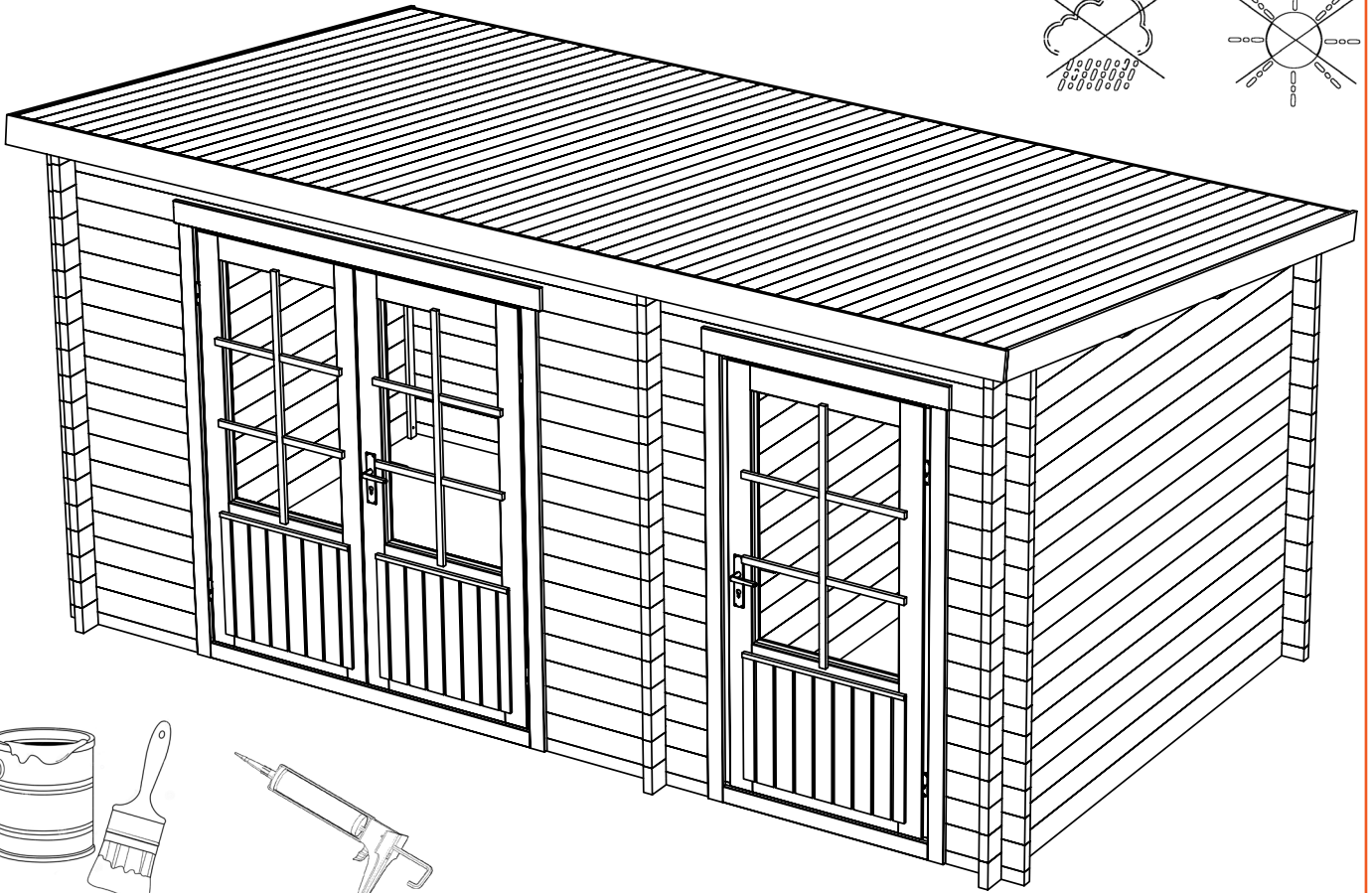
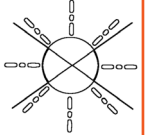
N1,8x40



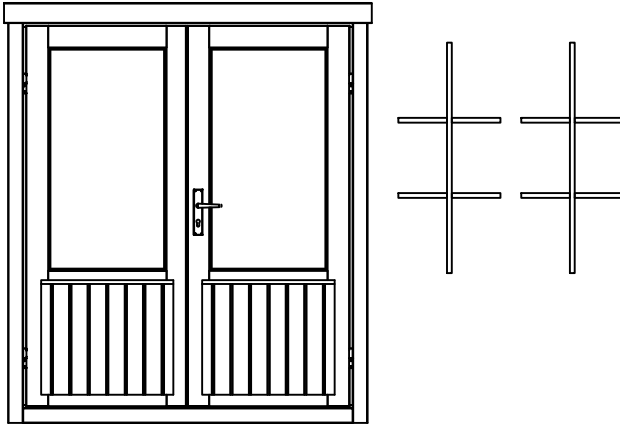
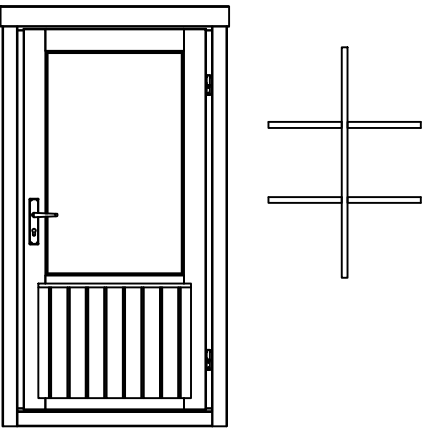
Ø ca 130mm

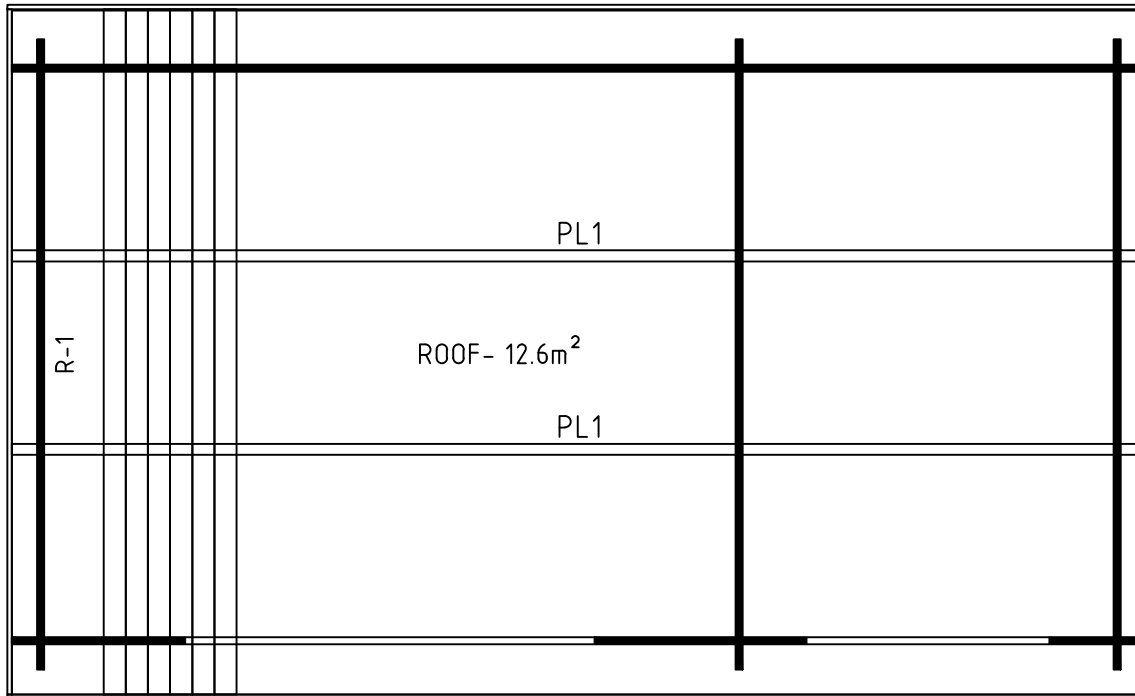
6






Pos	Specification-Spezifikation-Specificatie-Nomenclature-Elementi-Especificacion Maria28 AB	Qty	Profile (mm)	Lenght (mm)
001		2	28x57	4500
002		16	28x114	690
003		16	28x114	845
004		16	28x114	385
005		1	28x114	4500
006		16	28x114	4500
007		2	28x114	4500
008		48	28x114	2500
EXTRA		1	28x114	4500
WA-1		1		
WB-1		1		
WC-1		1		
PL1	 PURLIN-DAKBALK-DACHPFETTE-PANNE-ARCARECCIO-CORREA	2	44x144	4500
R-1	Roof board-Dachbrett-Dakplank-Volige-Tavola tetto-Tabla de tejado	52+1 40+1	88x18 114x18	2750 2750
GB-1	Gable board 120-Giebelblende-Gevelplank-Planche de rive-Tavola di bordo-Tabla de borde	2	18x120	2790
GB-2	Gable board 120-Giebelblende-Gevelplank-Planche de rive-Tavola di bordo-Tabla de borde	2	18x120	4536
SS-1	Storm slat kit-Sturmleiste satz-Stormanker set-Kit de latte anti tempête-Kit listello di tempesta-Kit liston anti tormenta	4	18x40	2000
	Door kit-Tür satz-Deur set-Kit porte-Kit porta-Kit para puerta	1		
	Double door kit-Doppeltür satz-Dubbele deur set-Kit double porte-Kit porta-Kit para puerta	1		
	Nail 1.6x30-Nagel-Spijker-Clou-Chiodo-Clavo	20	1.6x30	
	Nail 1.8x40-Nagel-Spijker-Clou-Chiodo-Clavo	230	1.8x40	
	Ventilation panel kit-Außengitter-Schoepenrooster-Panneau de ventilation-Griglia di ventilazione-Rejilla de ventilacion	1		
Model	Maria28 AB	Material	Page	1/2

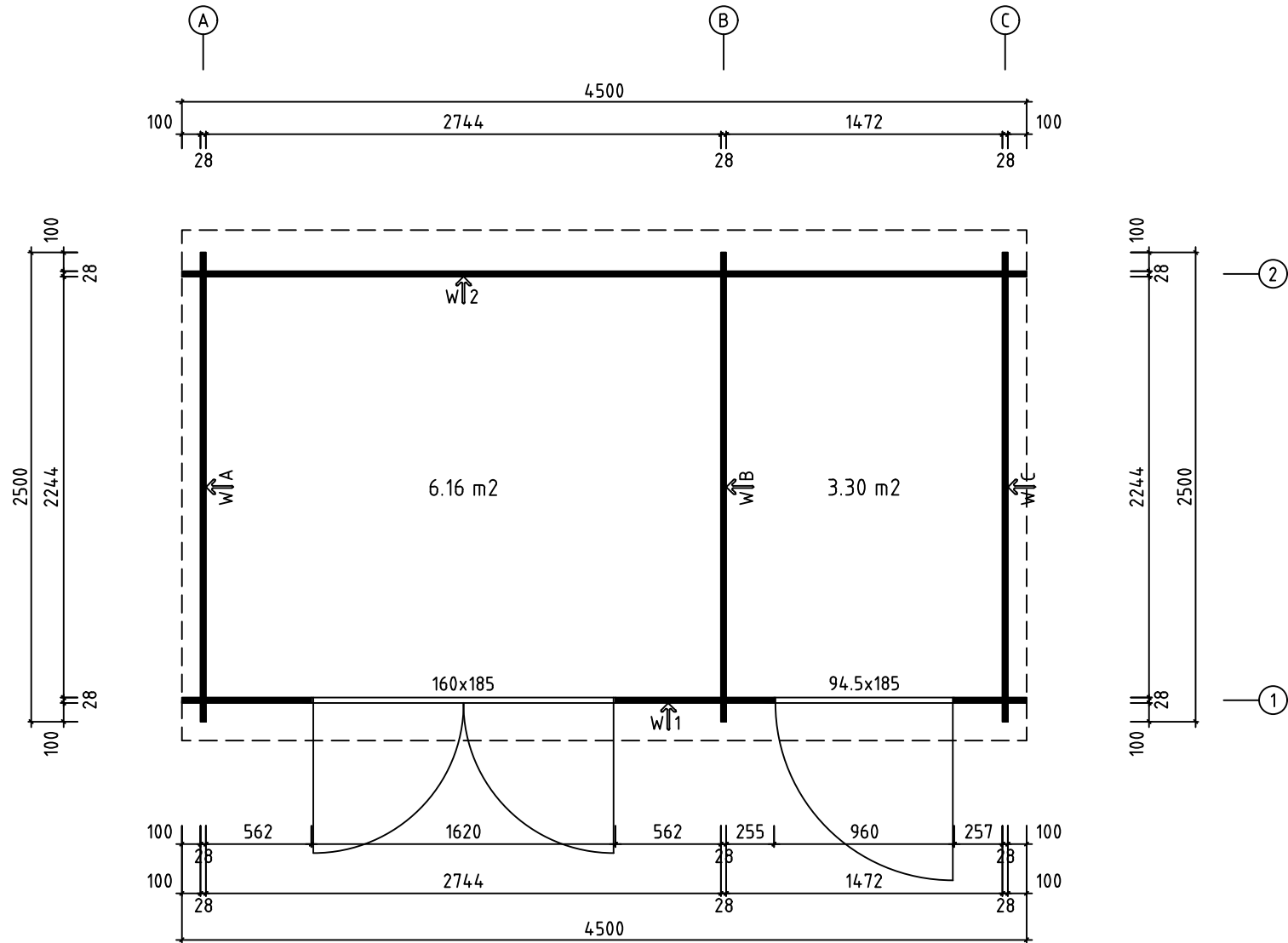
Pos	Specification-Spezifikation-Specificatie-Nomenclature-Elementi-Especificacion Maria28 AB	Qty	Profile (mm)	Lenght (mm)
	<p data-bbox="635 152 885 206">DOOR 1600x1850 DD06-6 H 1600x1850-28</p> 	1		
	<p data-bbox="630 680 890 734">DOOR 945x1850 SD06-6 H 945x1850-28 R</p> 	1		
Model	Maria28 AB	Material	Page	2/2




0 0.5m 1.0m 2.0m

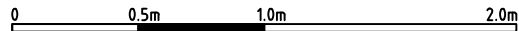
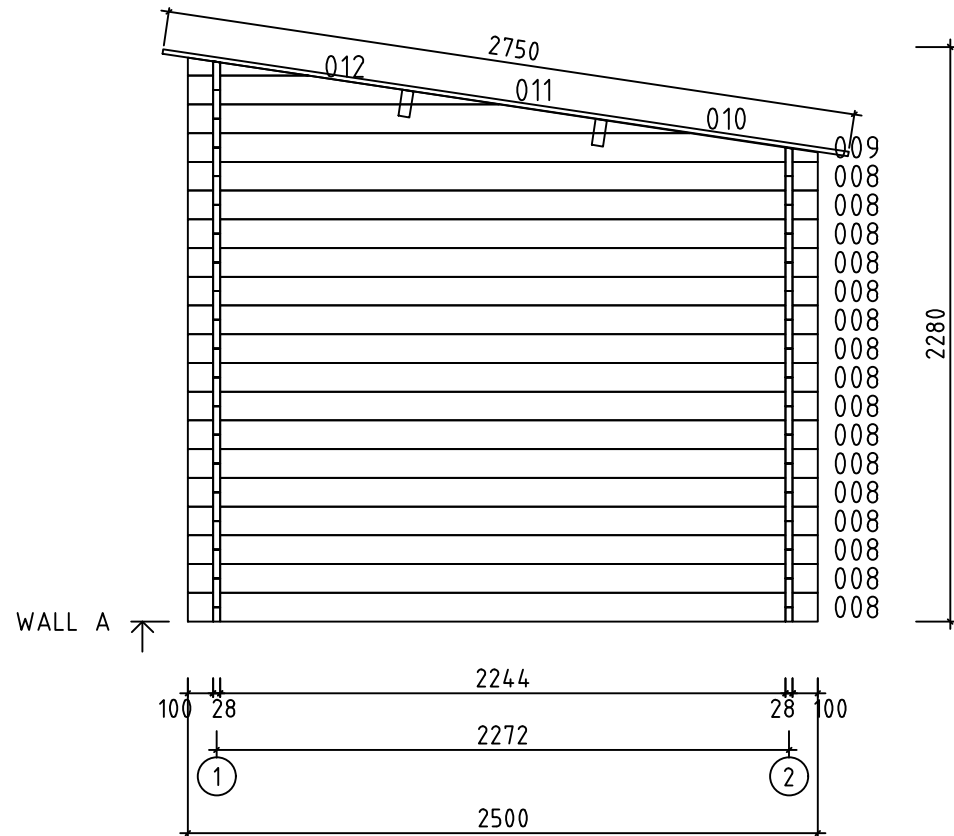
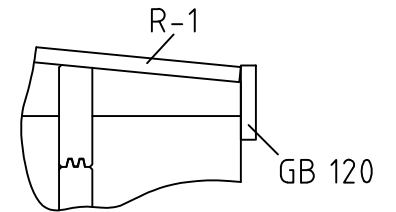
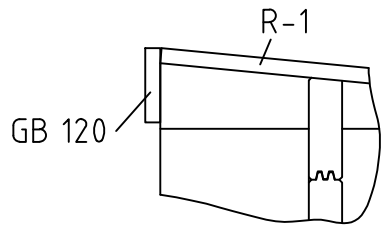
Model	Maria28 AB	Drawing	ROOF	Page
	Drawn by	J.S	Material	28x114
	Date	23.03.2023	File	Maria28 AB.dwg
				Scale 1:30


H = 1.600 m
 TOTAL: 9.46 m²

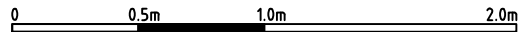
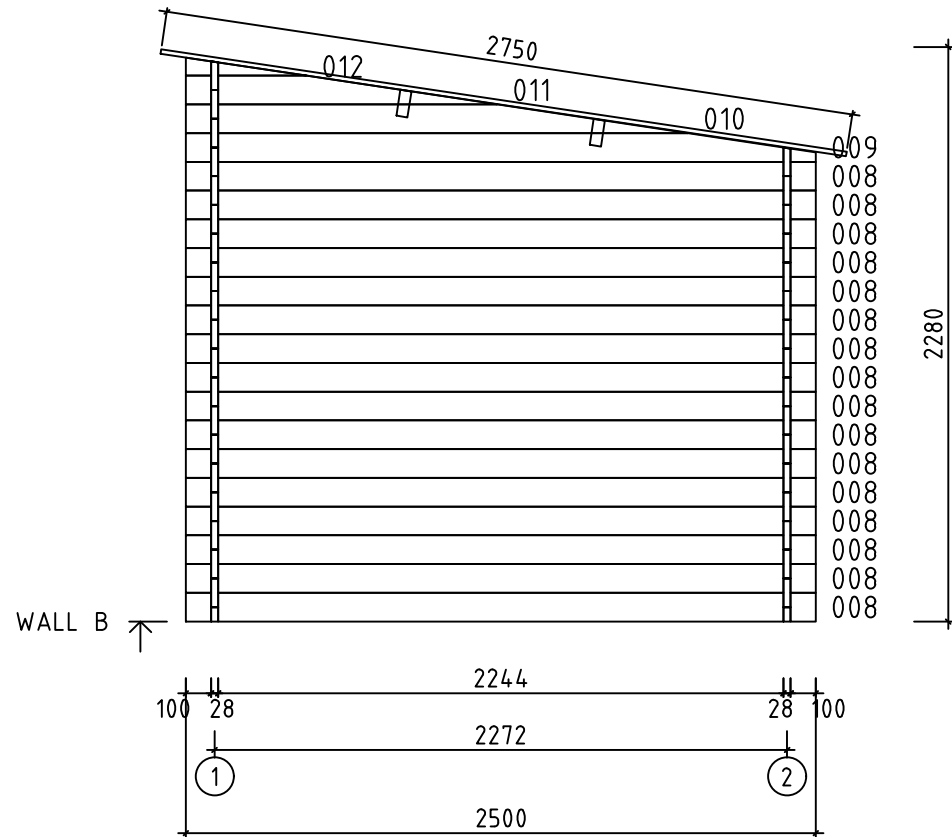



0 0.5m 1.0m 2.0m

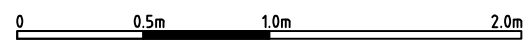
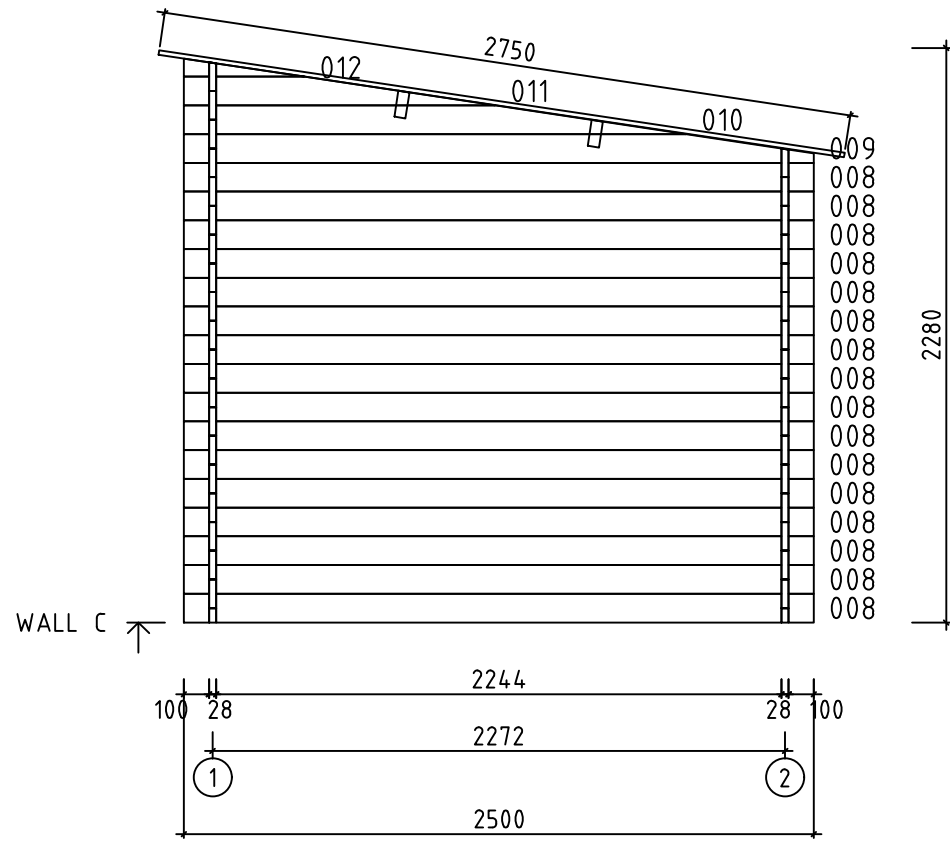
Model	Maria28 AB	Drawing	PLAN	Page
	Drawn by	J.S	Material	28x114
	Date	23.03.2023	File	Maria28 AB.dwg
			Scale	1:30




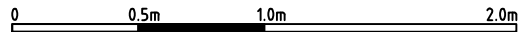
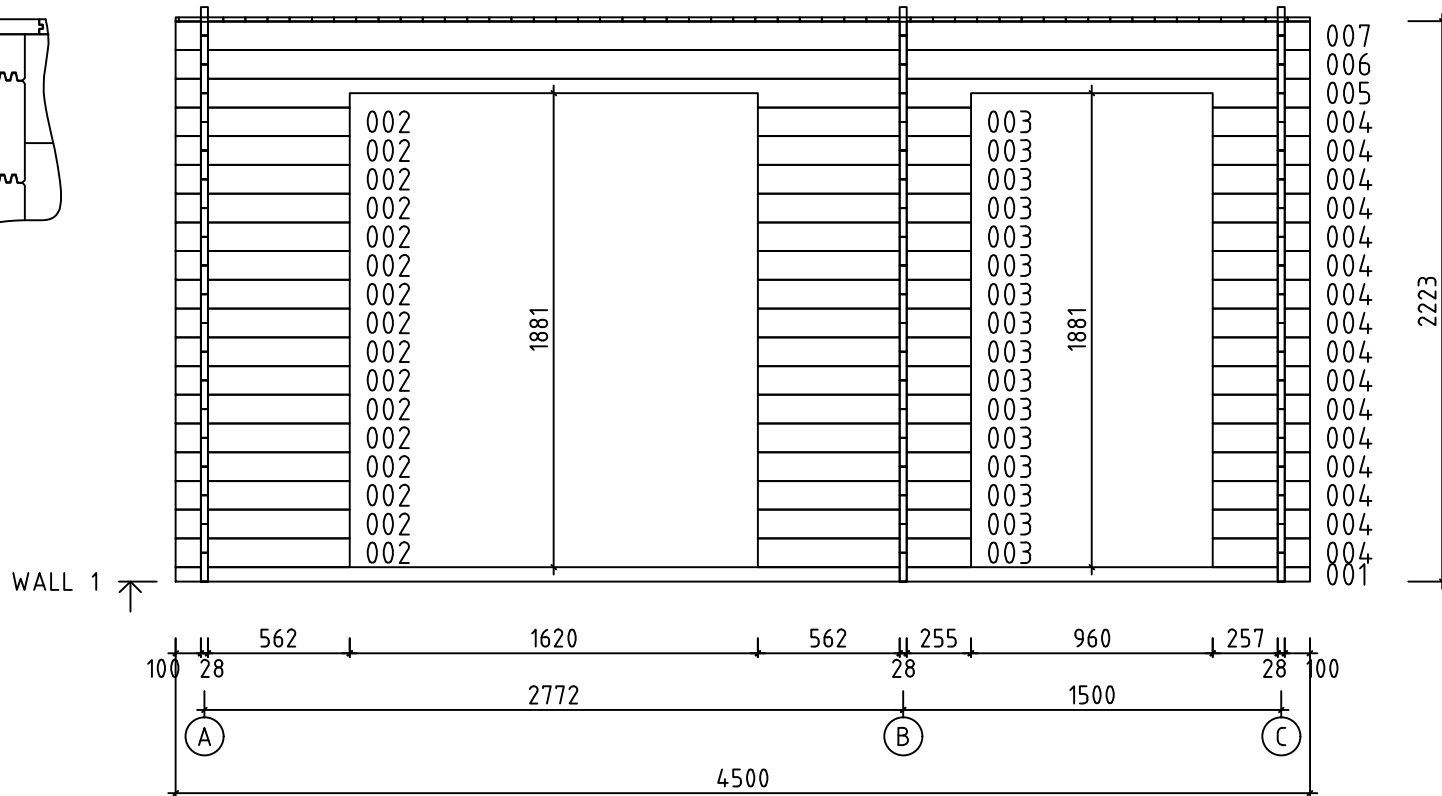
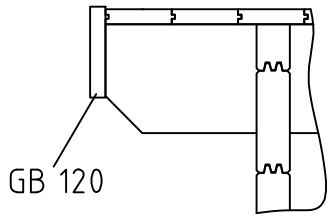
Model	Maria28 AB	Drawing	WALL A	Page	2	
	Drawn by	J.S	Material	2.8x11.4	Scale	1:30
	Date	23.03.2023	File	Maria28 AB.dwg		



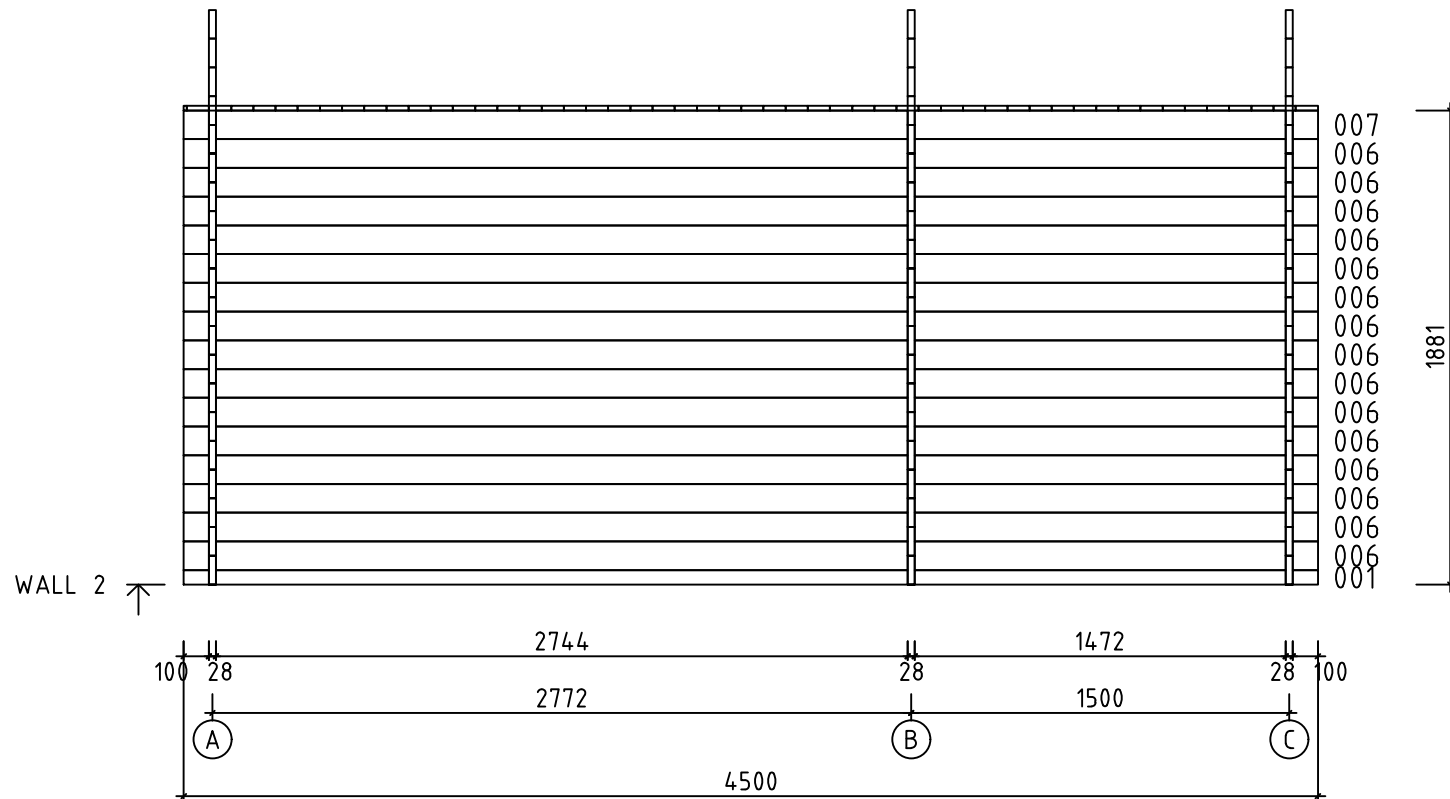
Model	Maria28 AB	Drawing	WALL B	Page	3	
	Drawn by	J.S	Material	2.8x11.4	Scale	1:30
	Date	23.03.2023	File	Maria28 AB.dwg		




Model	Maria28 AB	Drawing	WALL C	Page	4	
	Drawn by	J.S	Material	2.8x11.4	Scale	1:30
	Date	23.03.2023	File	Maria28 AB.dwg		



Model	Maria28 AB	Drawing	WALL 1	Page	5	
	Drawn by	J.S	Material	2.8x11.4	Scale	1:30
	Date	23.03.2023	File	Maria28 AB.dwg		



0 0.5m 1.0m 2.0m

Model	Maria28 AB	Drawing	WALL 2	Page	6	
	Drawn by	J.S	Material	2.8x11.4	Scale	1:30
	Date	23.03.2023	File	Maria28 AB.dwg		