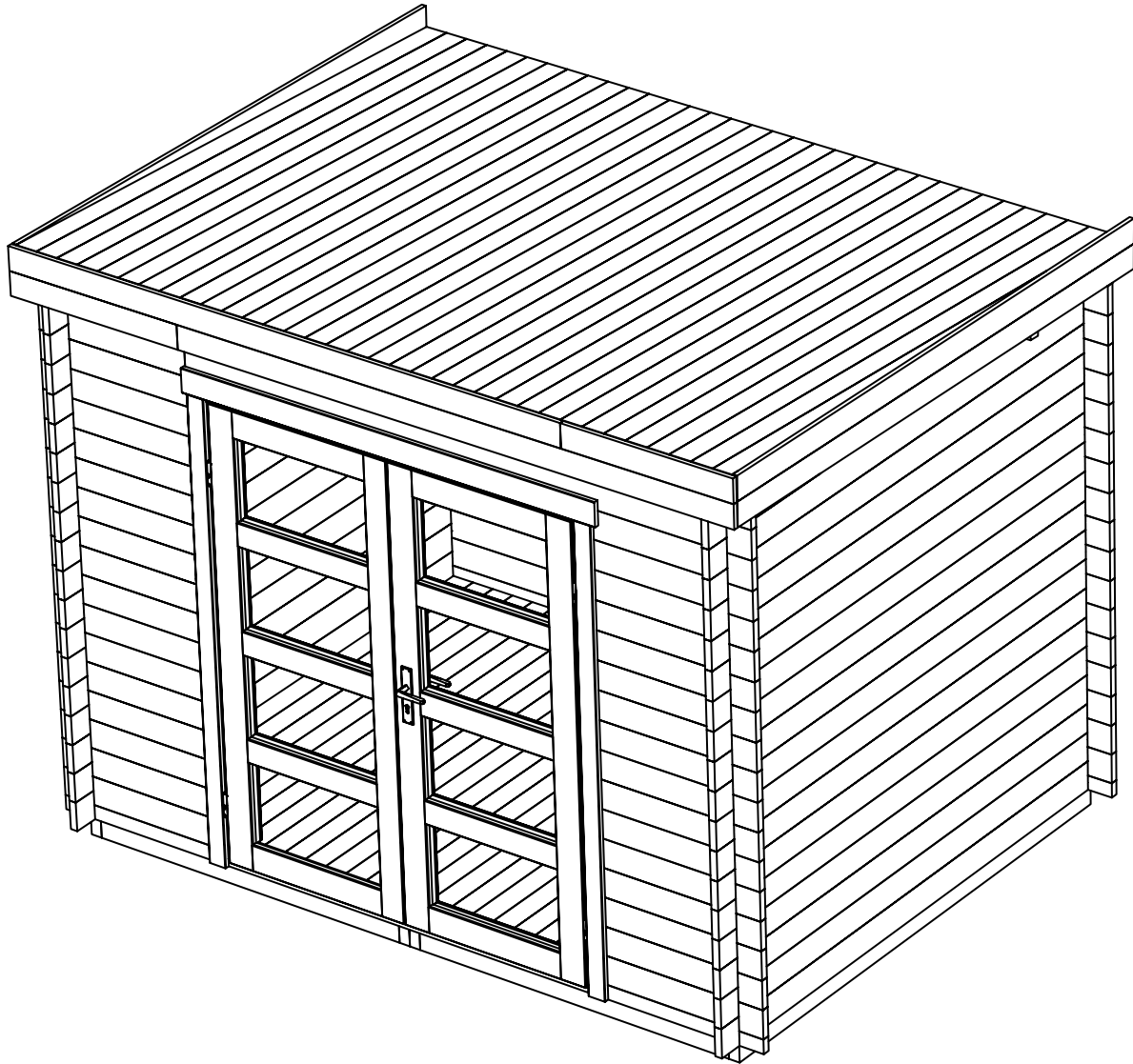
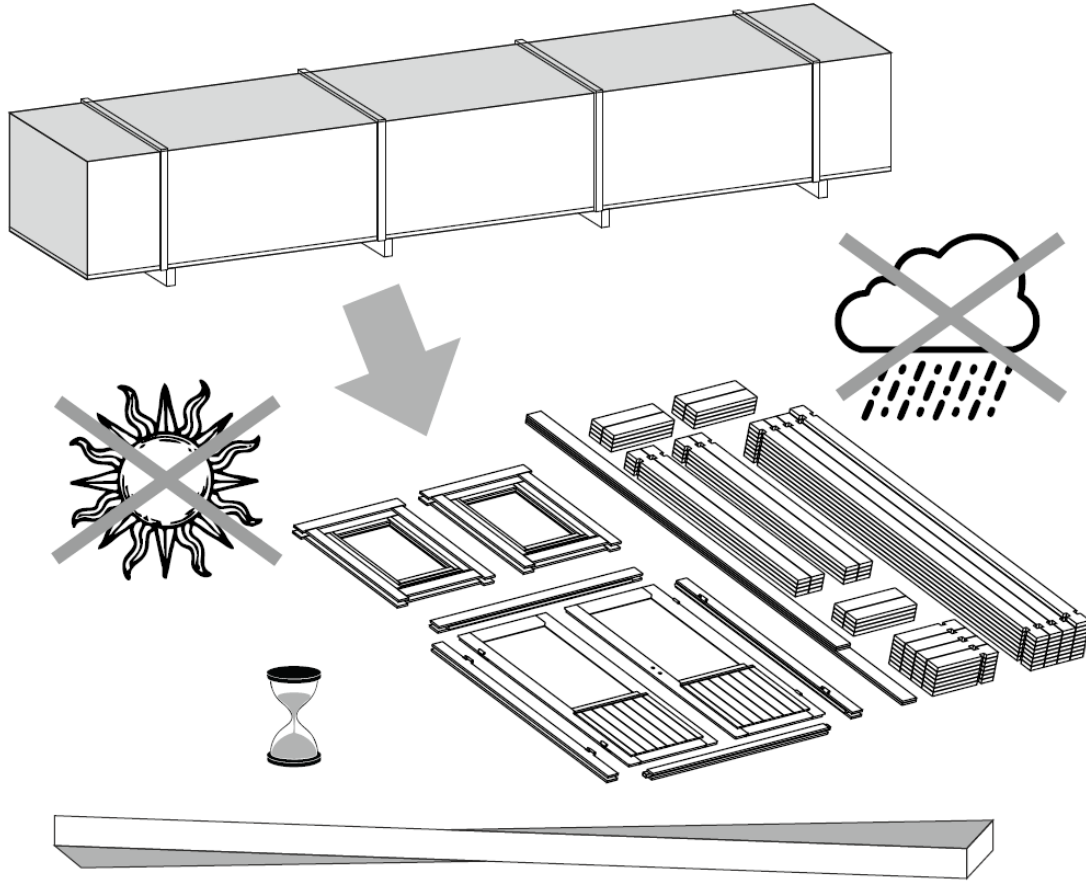
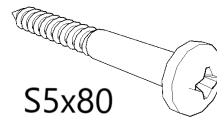
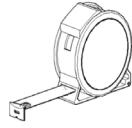
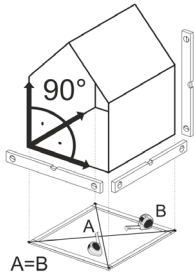


Alpho**l**

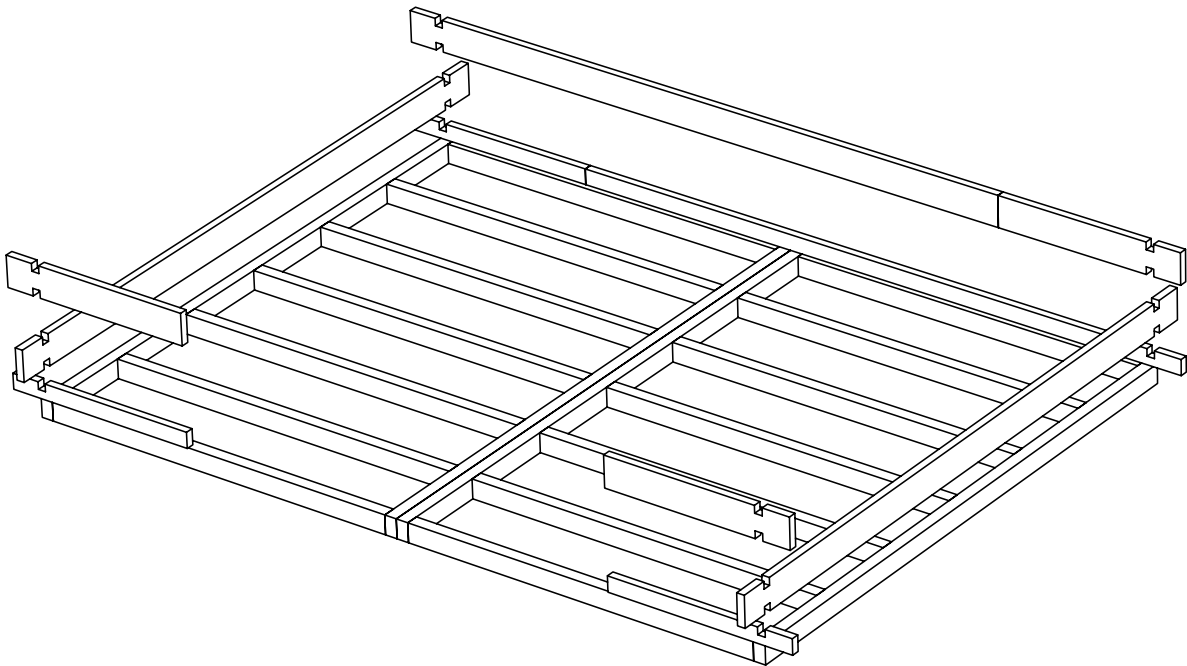
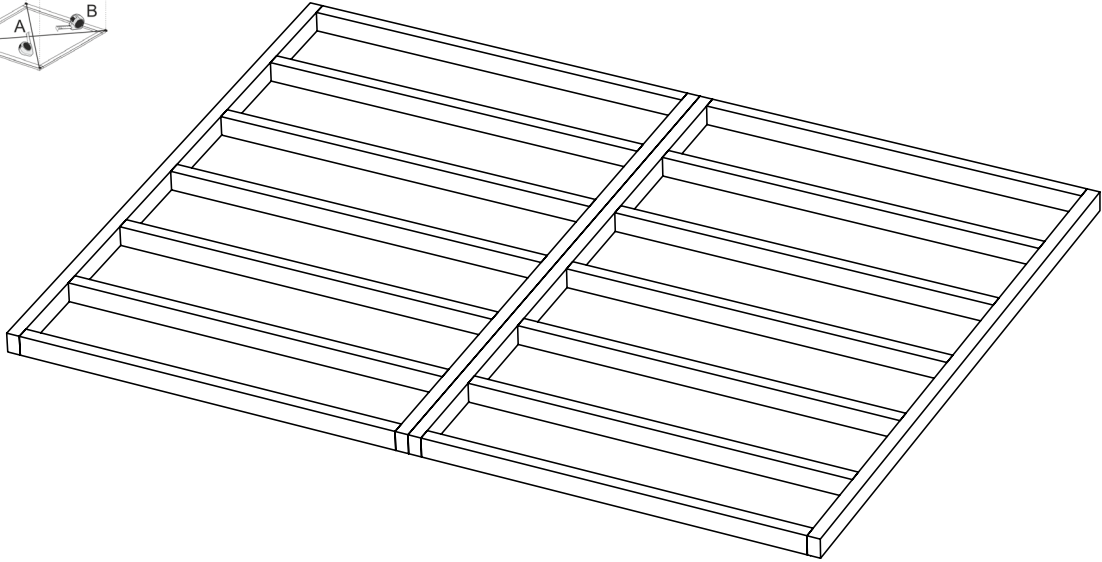


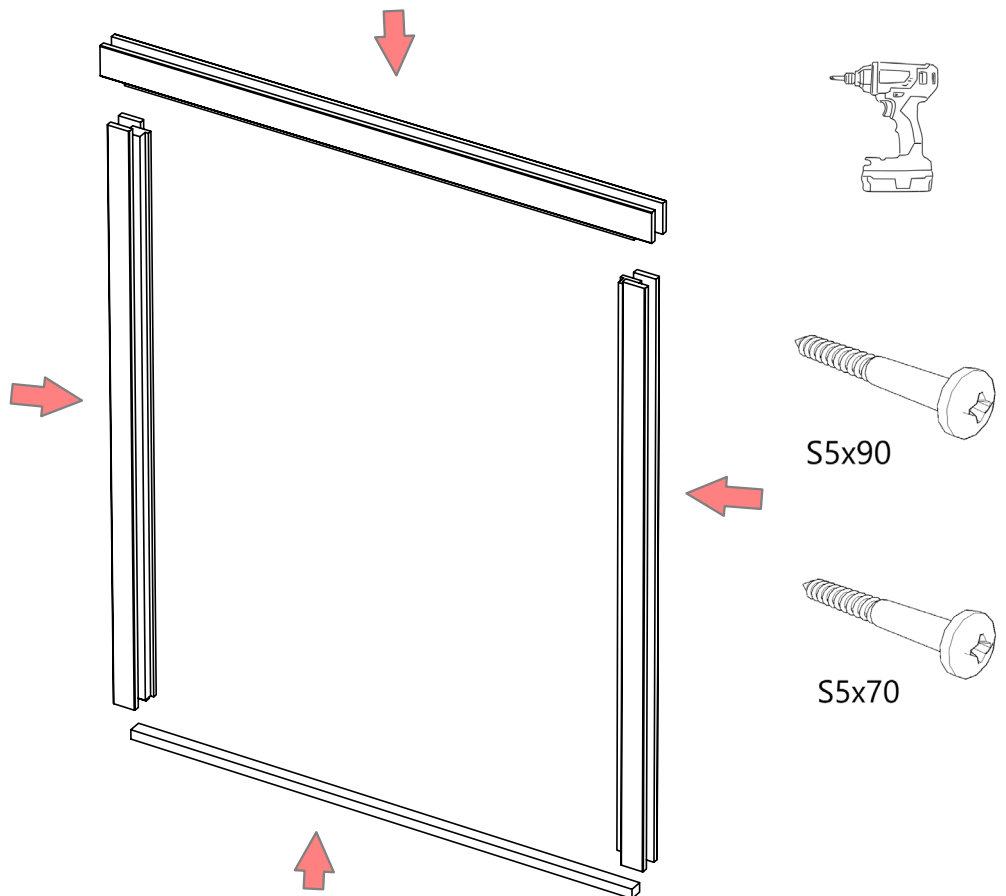
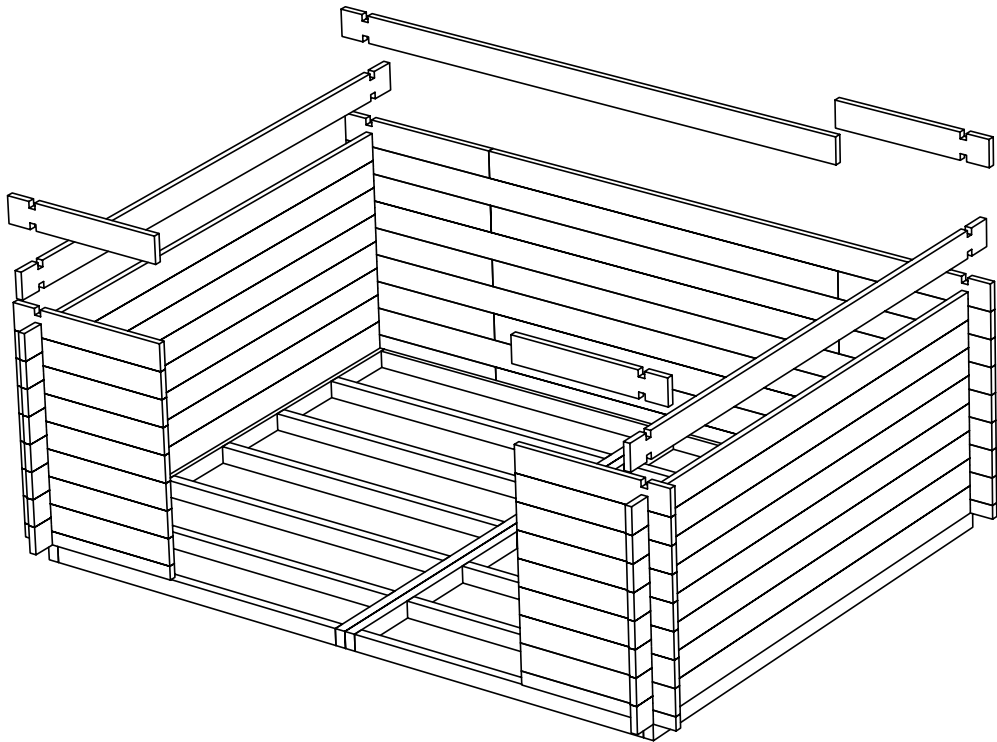
Paloma Plus 3x2,3



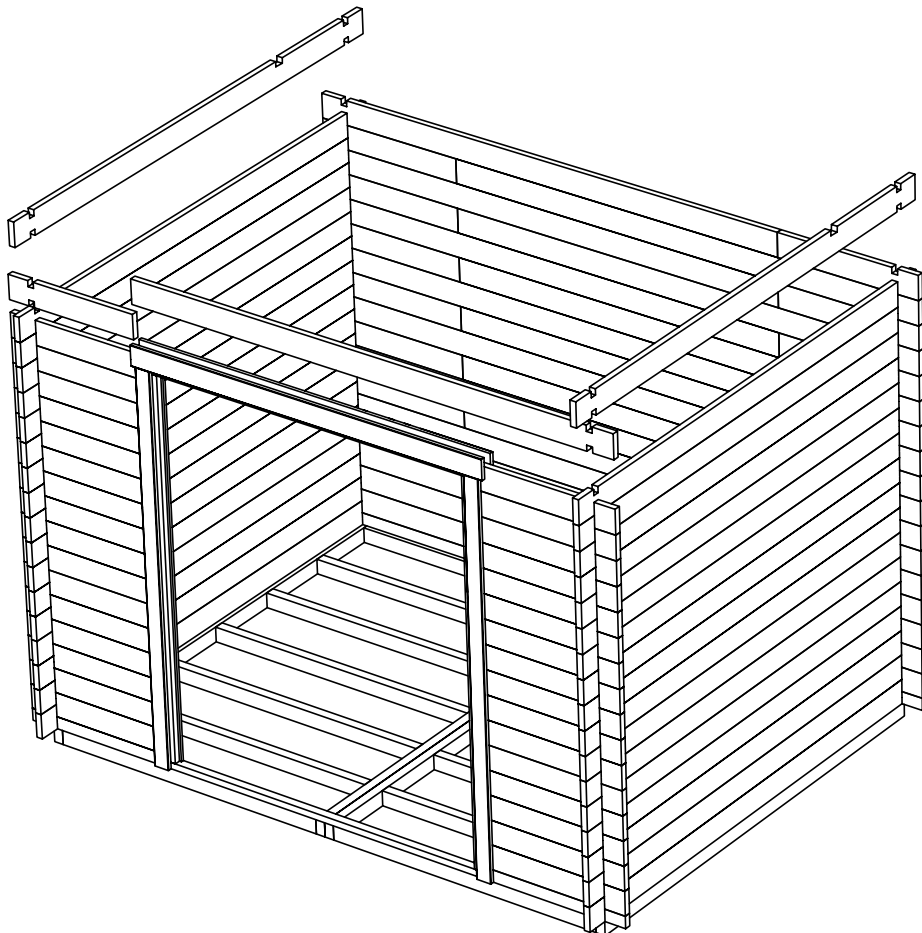
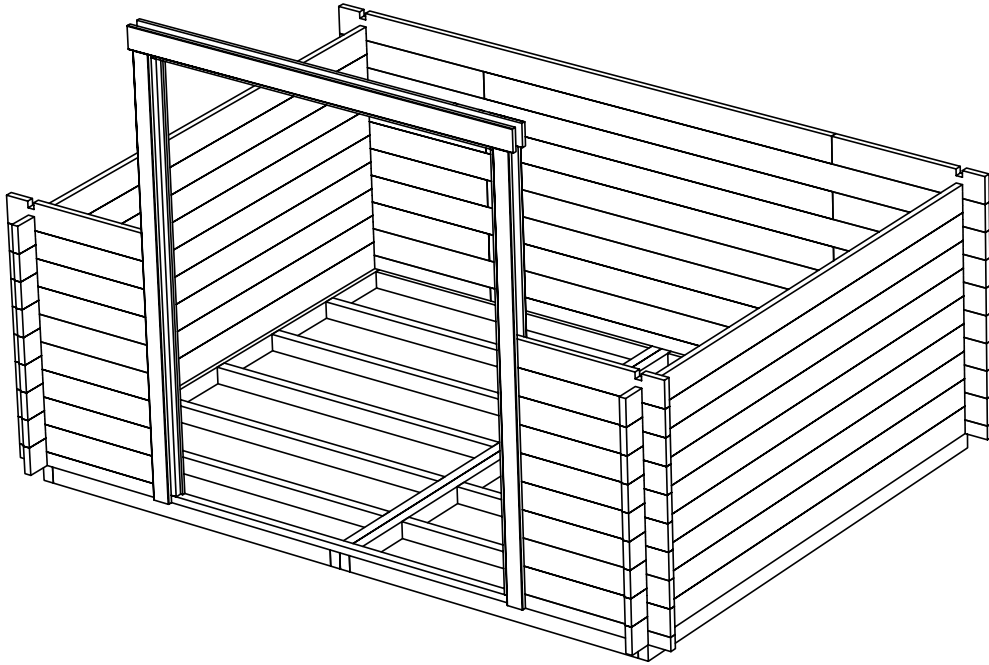


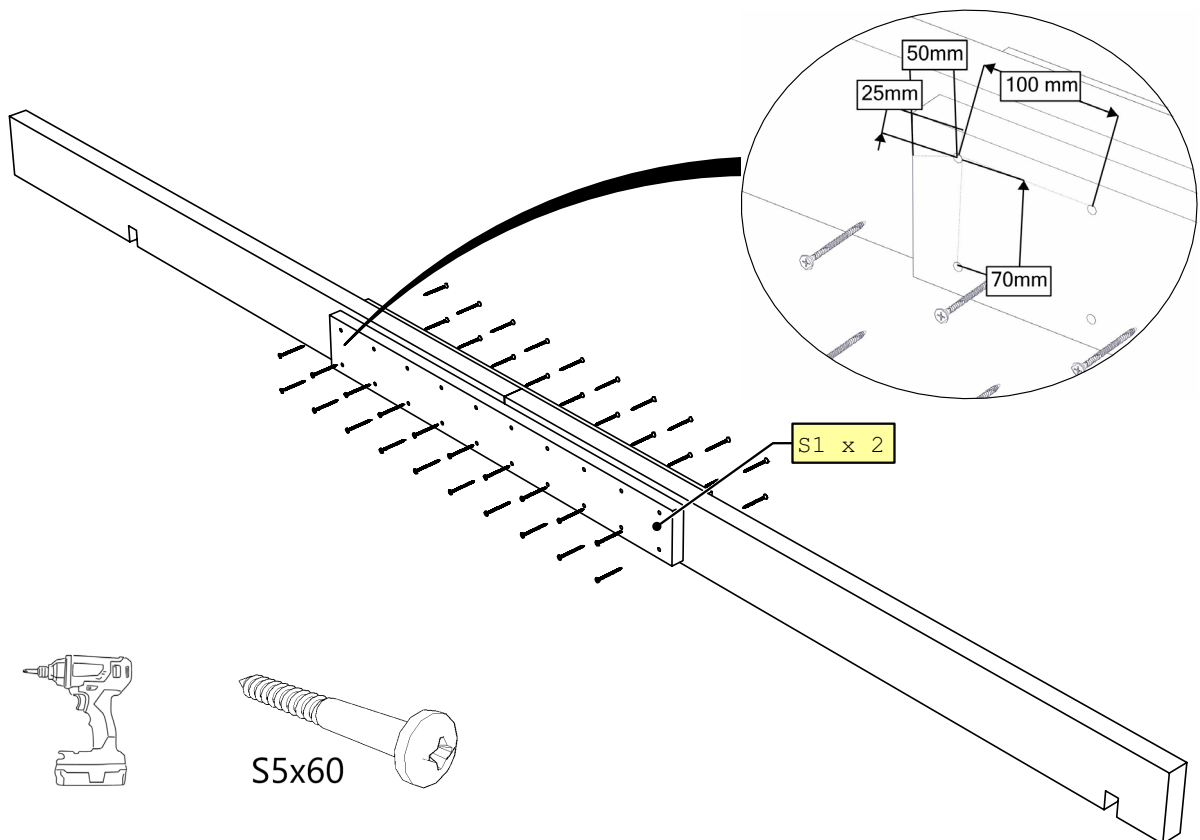
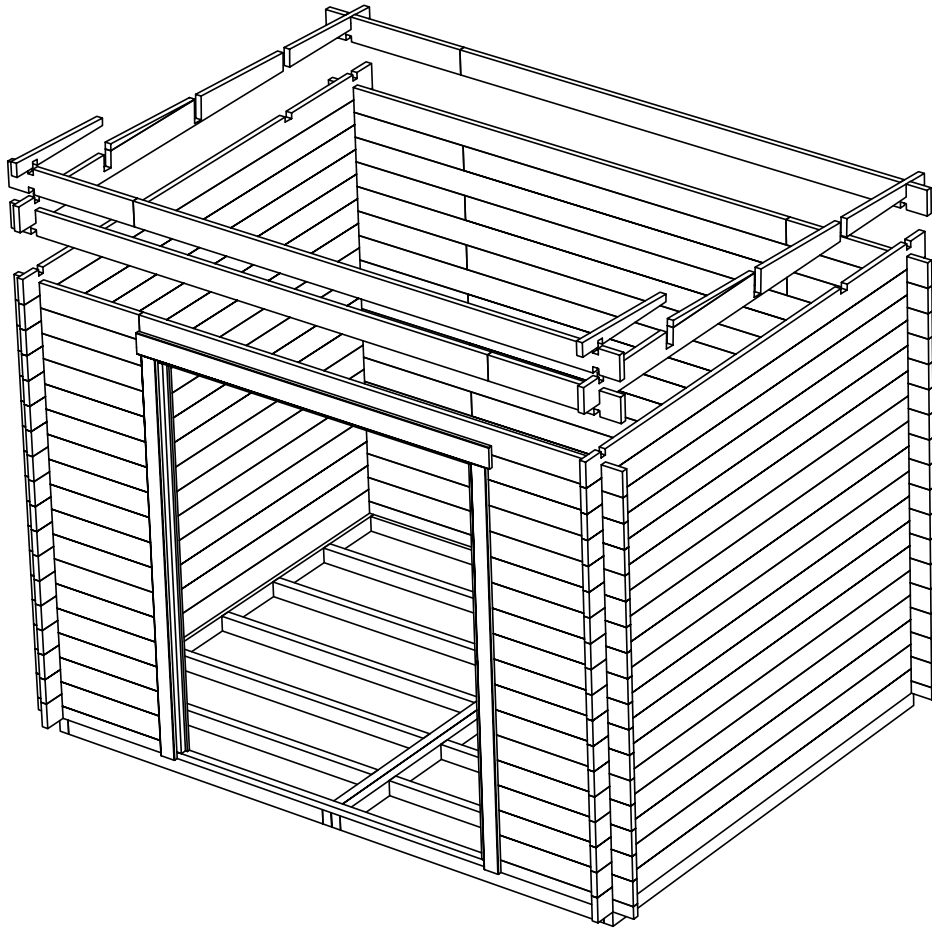
S5x80

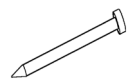
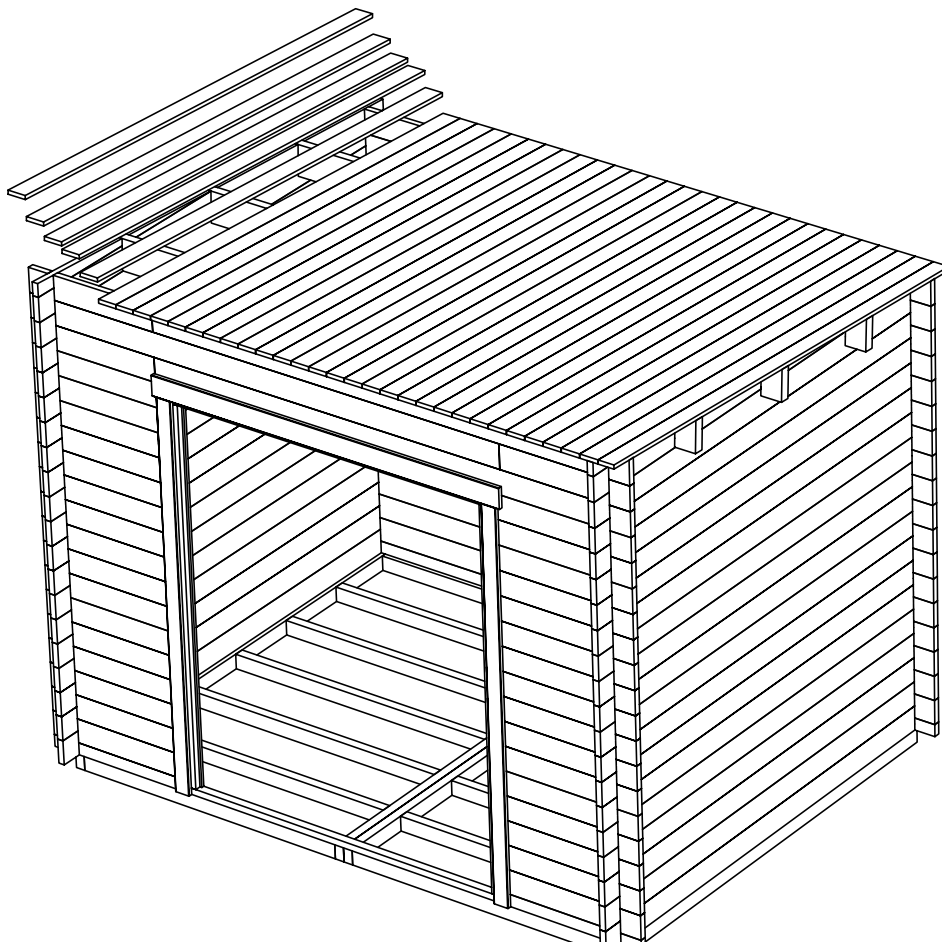
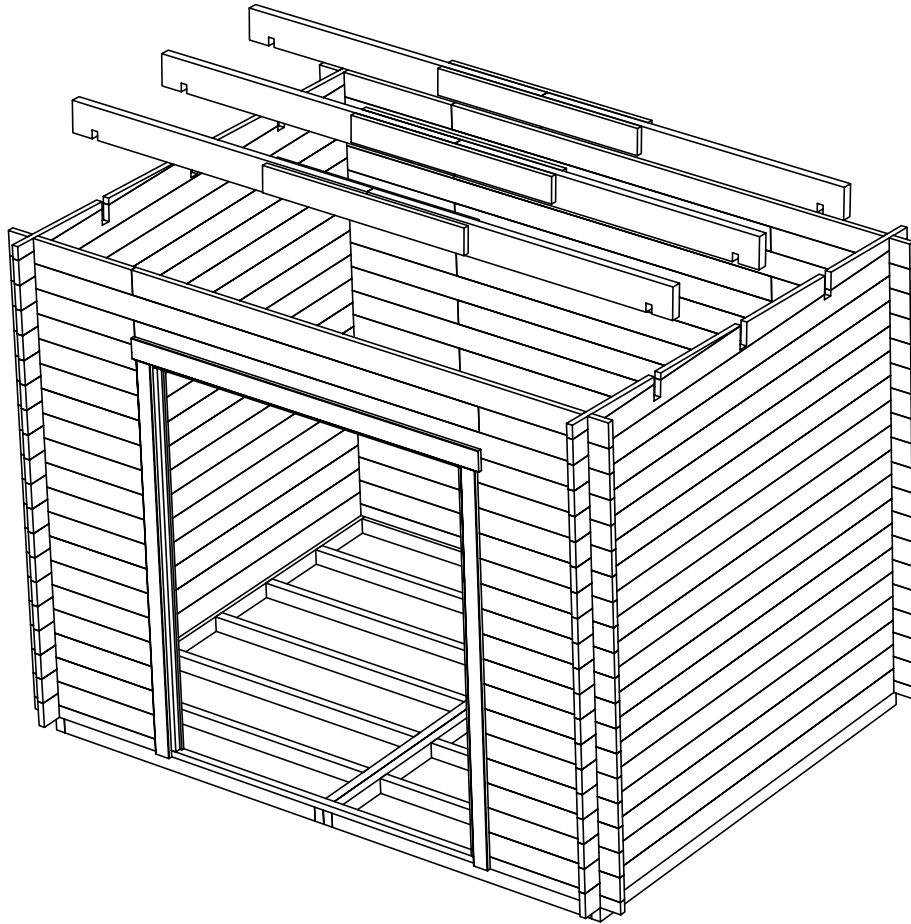




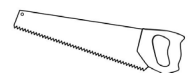
2

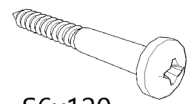
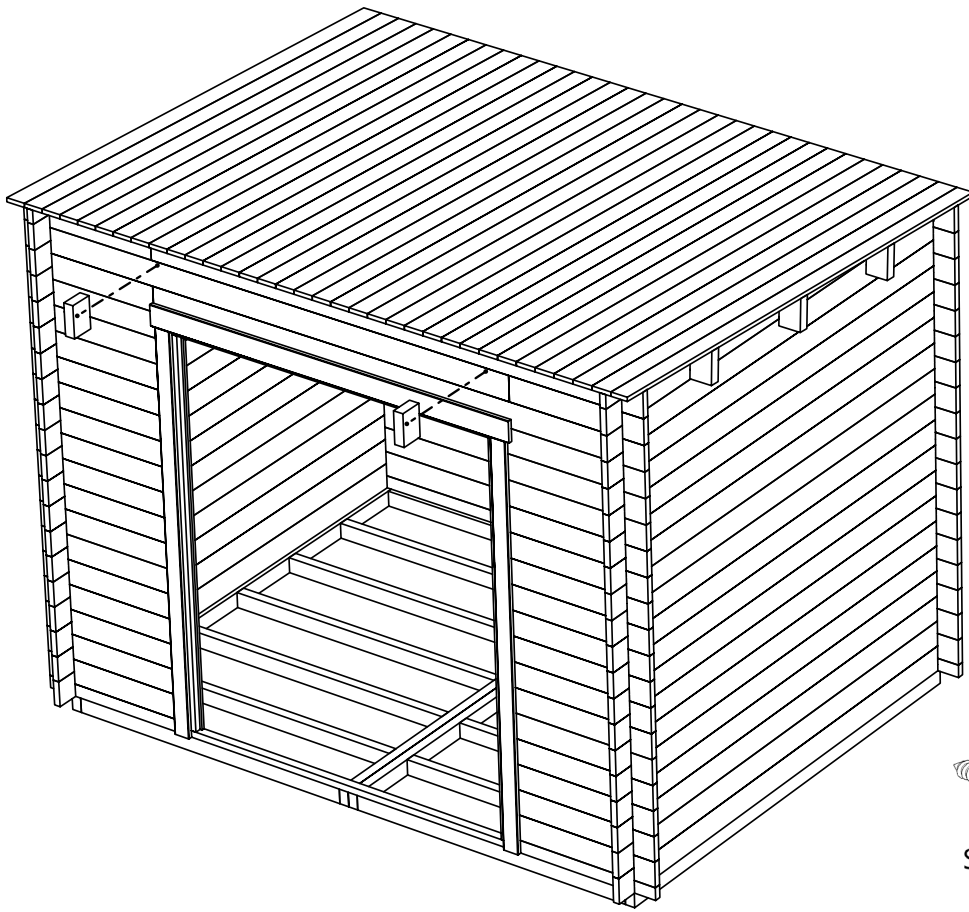




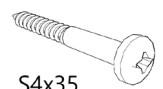
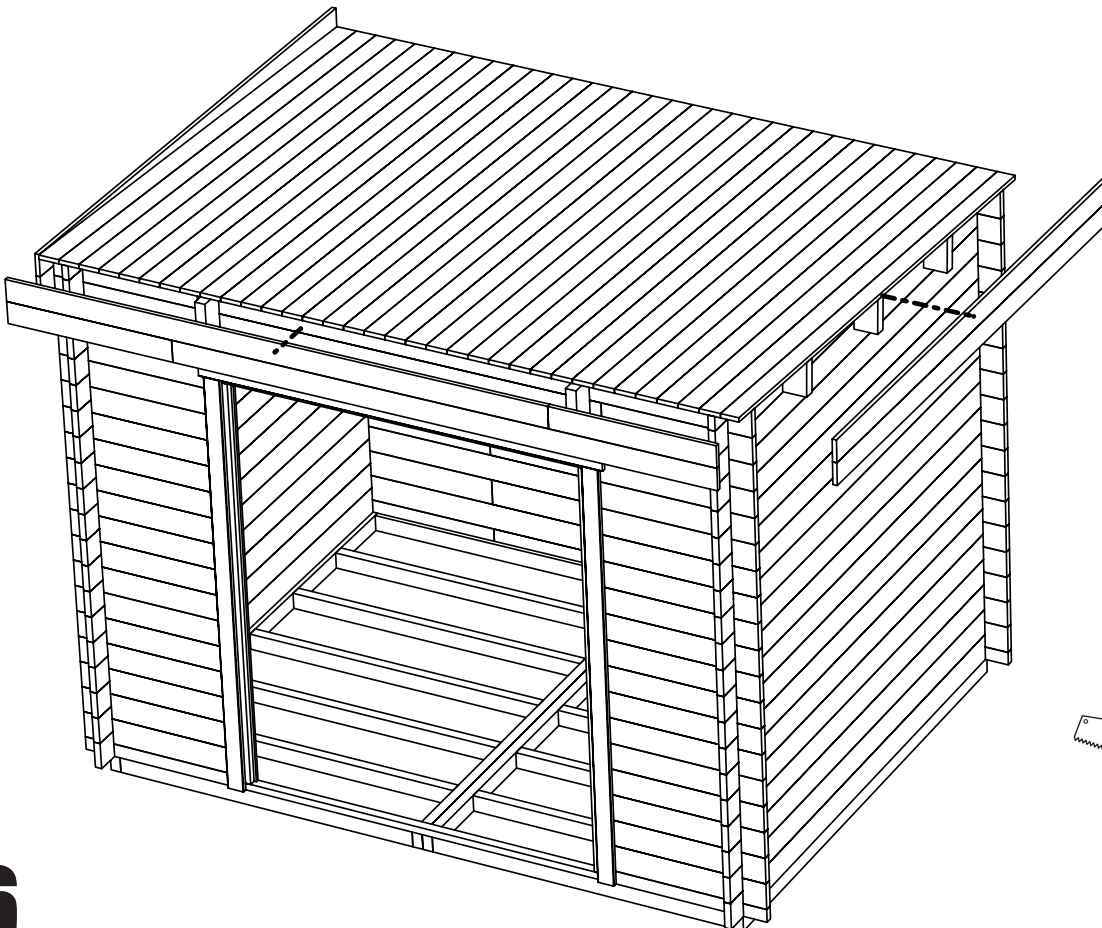


N1,8x40

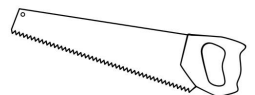




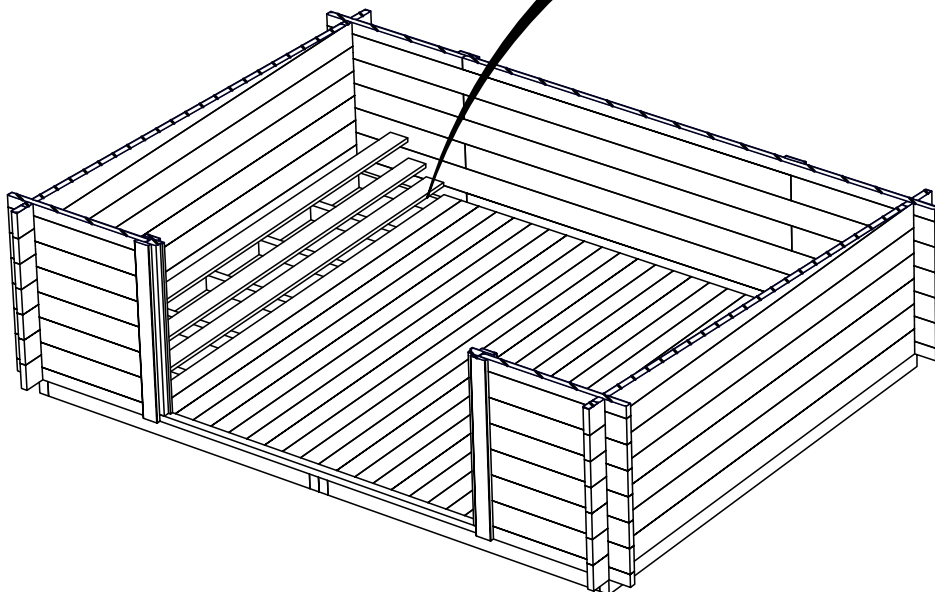
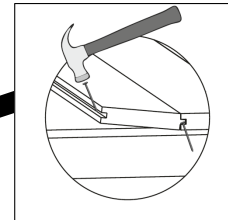
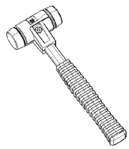
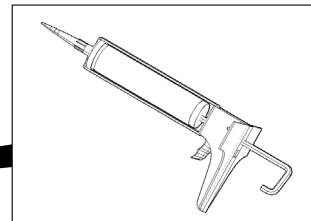
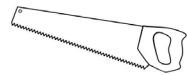
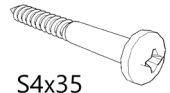
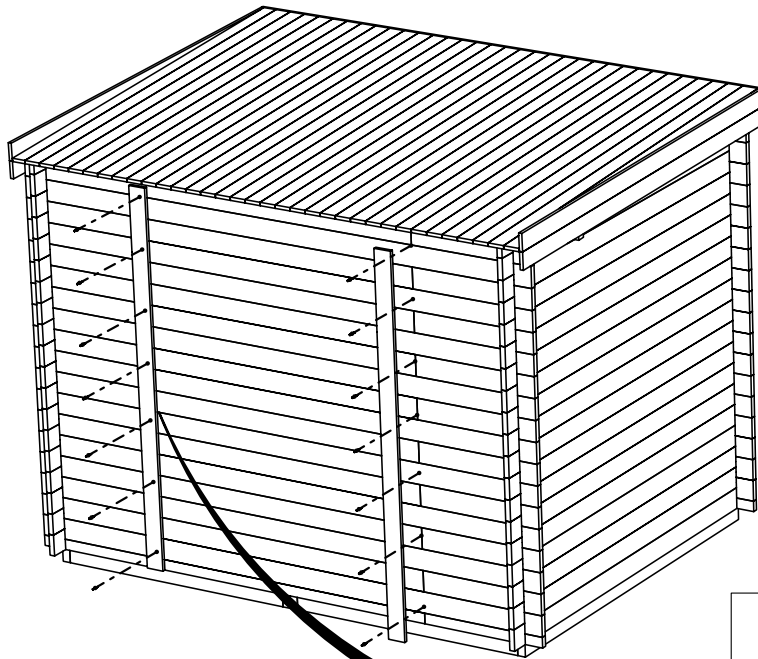
S6x120

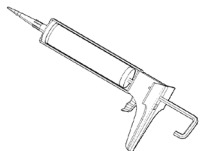
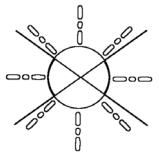
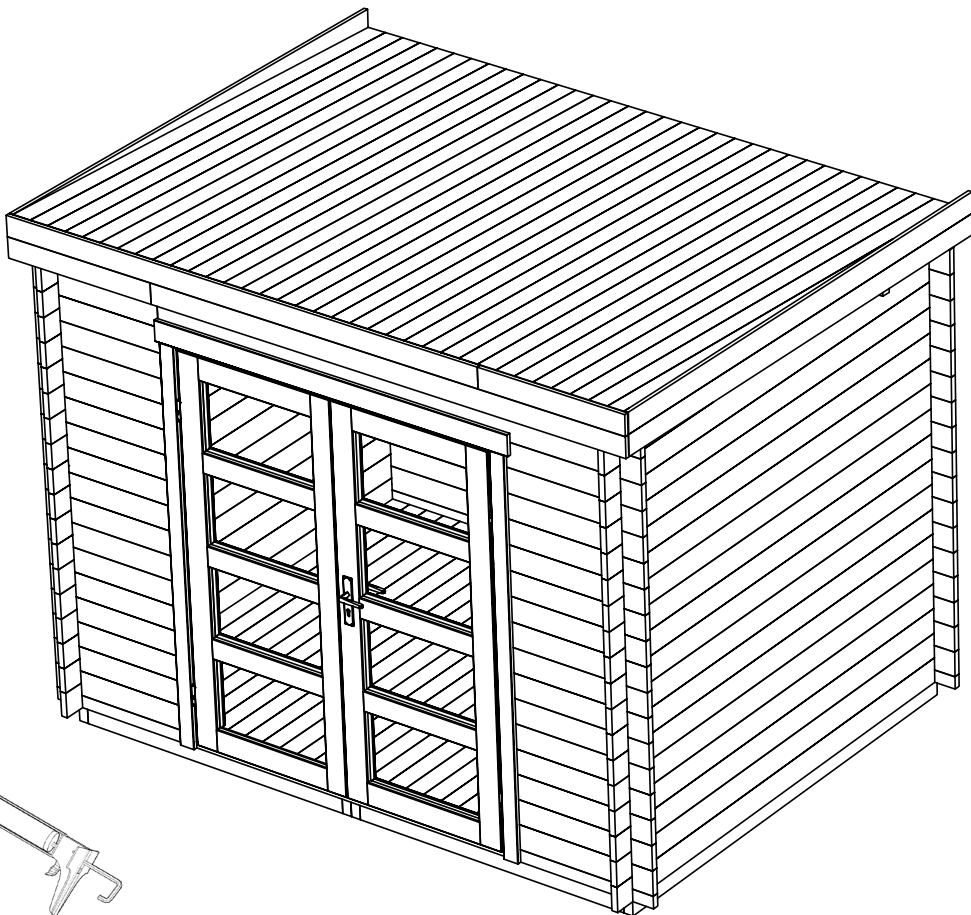
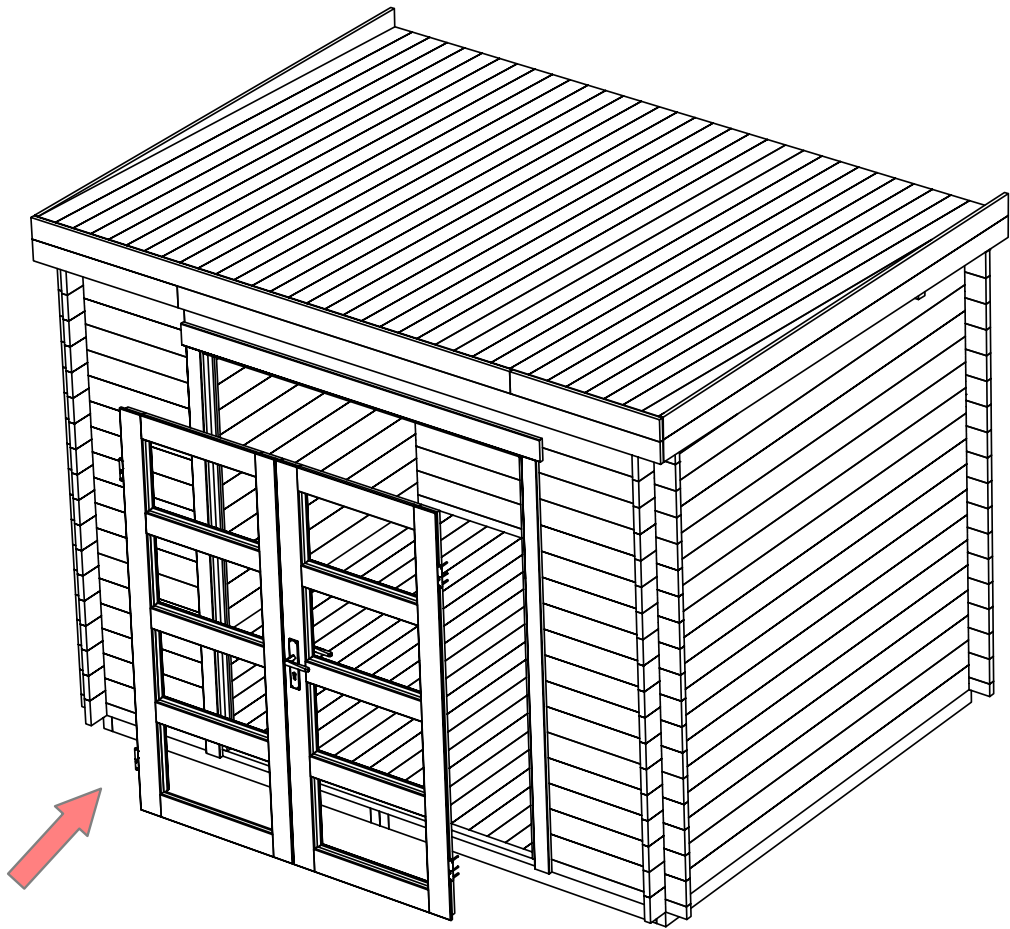


S4x35

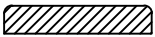






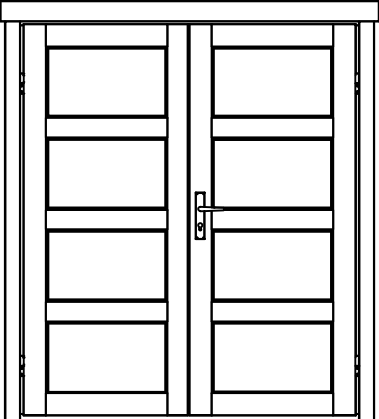


6

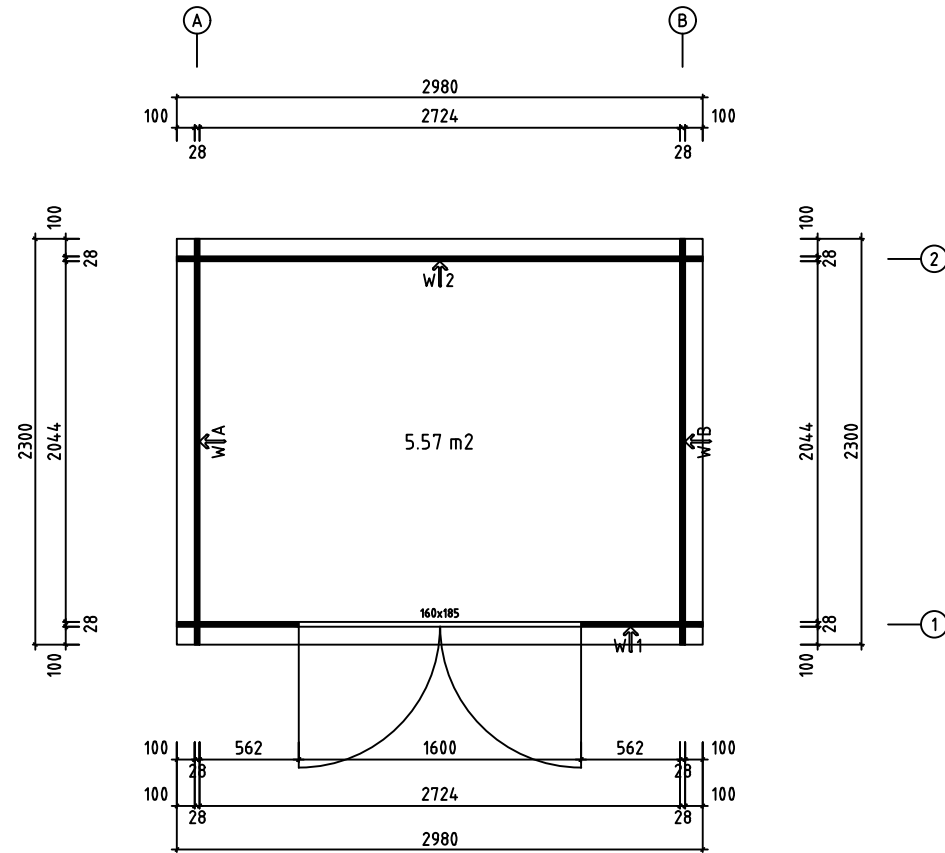




Pos	Specification-Spezifikation-Specificatie-Nomenclature-Elementi-Especificacion 3x2,3 Paloma Plus	Qty	Profile (mm)	Lenght (mm)
001		3	28x57	685
002		49	28x114	685
003		2	28x114	630
004		2	28x114	2350
005		1	28x114	630
006		1	28x114	2350
007		1	28x57	2295
008		17	28x114	2295
009		1	28x114	685
010		1	28x114	2295
011		34	28x114	2300
EXTRA1		1	28x114	2350
WA-1		1		
WB-1		1		
F1	FOUNDATION-FUNDAMENT-FONDATION-FONDAZIONE-VIGAS DE CIMENTACIÓN 	4	44x70	2090
F2	FOUNDATION-FUNDAMENT-FONDATION-FONDAZIONE-VIGAS DE CIMENTACIÓN 	14	44x70	1297
CS1	CORNICE SUPPORT-TRAGELEISTE-STEUNEN BAR-SUPPORT-SUPPORTO-SOPORTE 	2	44x144	100
S1	SUPPORT-STÜTZEN-STEUN-SUPPORT-SUPPORTO-SOPORTE 	6	28x120	1000
PL1	PURLIN-DAKBALK-DACHPFETTE-PANNE-ARCARECCIO-CORREA 	6	44x144	1490
F-1	Floor board-Fussbodenbrett-Vloerplank-Lame de plancher-Tavola pavimento-Tabla de suelo 	31 24	88x18 114x18	2034
R-1	Roof board-Dachbrett-Dakplank-Volige-Tavola tetto-Tabla de tejado 	34+1 27+1	88x18 114x18	2305
Model	3x2,3 Paloma Plus	Material	Page 1/2	

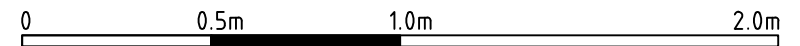
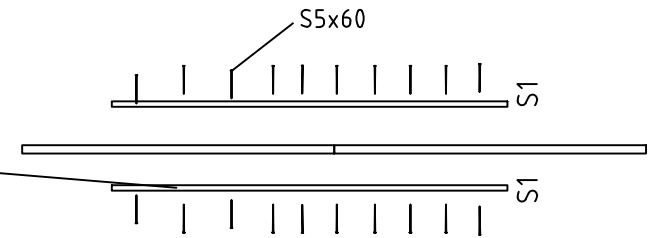
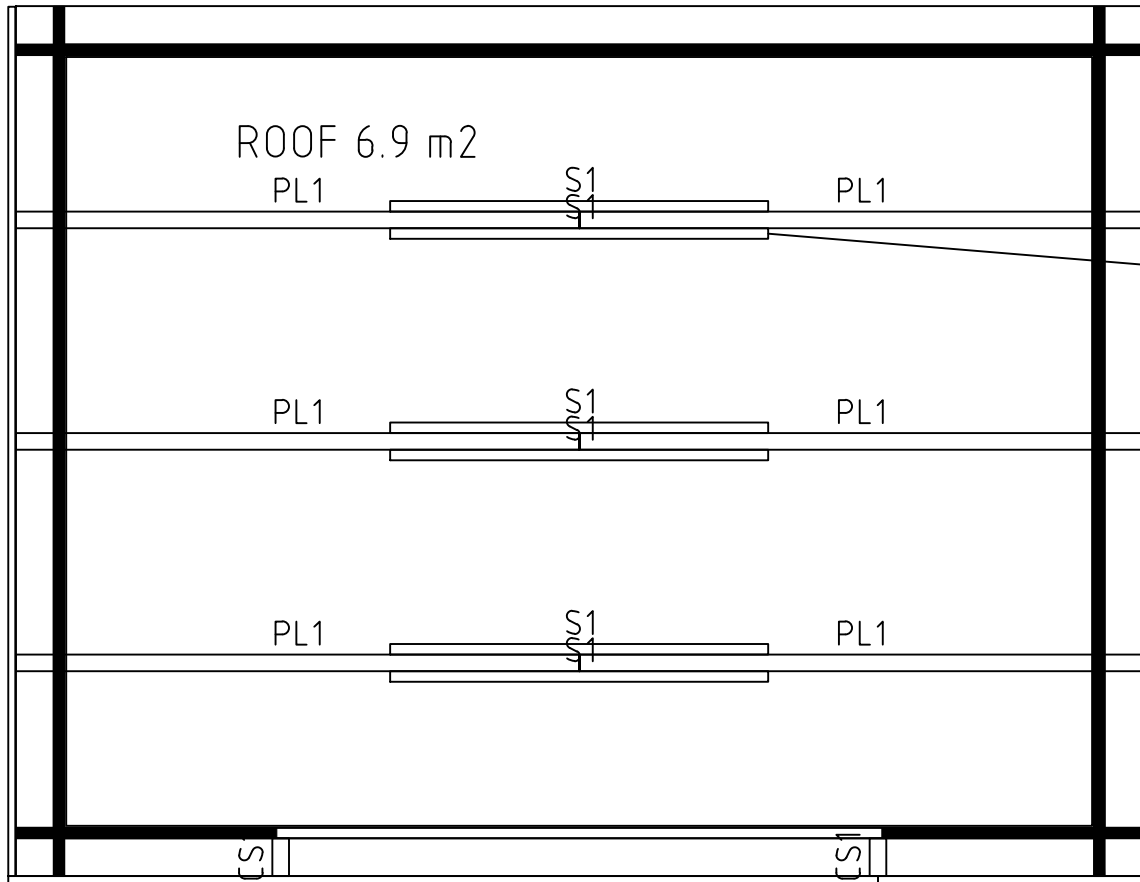
Pos	Specification-Spezifikation-Specificatie-Nomenclature-Elementi-Especificacion 3x2,3 Paloma Plus	Qty	Profile (mm)	Lenght (mm)
GB-1	Gable board 95-Giebelblende-Gevelplank-Planche de rive-Tavola di bordo-Tabla de borde 	9	18x95	2340
	Double door kit ISO-Doppeltür satz-Dubbele deur set-Kit double porte-Kit porta-Kit para puerta 	1		
	Nail 1.8x40-Nagel-Spijker-Clou-Chiodo-Clavo 	580	1.8x40	
S4x35	Screw 4x35-Schraube-Schroef-Vis-Vite-Tornillo 	50	4x35	
S5x60	Screw 5x60-Schraube-Schroef-Vis-Vite-Tornillo 	60	5x60	
S5x80	Screw 5x80-Schraube-Schroef-Vis-Vite-Tornillo 	70	5x80	
S6x120	Screw 6x120-Schraube-Schroef-Vis-Vite-Tornillo 	5	6x120	
	<p style="text-align: center;">DOOR 1600x1850 DD4B F 1600x1850-28</p> 	1		
Model	3x2,3 Paloma Plus	Material	Page	2/2

H = 1.600 m
 TOTAL: 5.57 m²

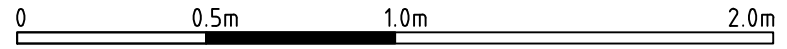
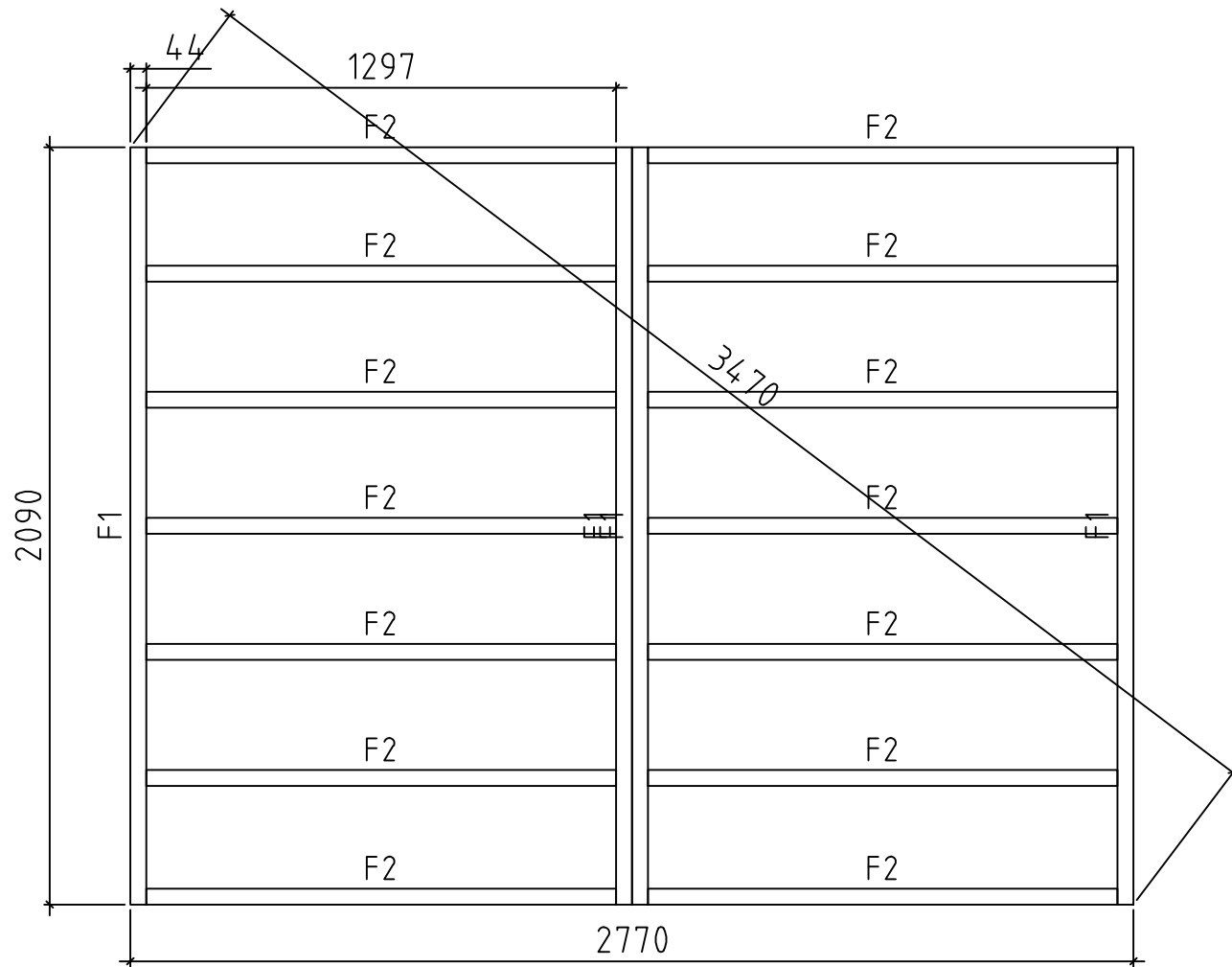


0 0.5m 1.0m 2.0m

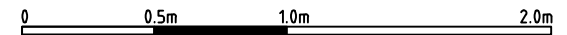
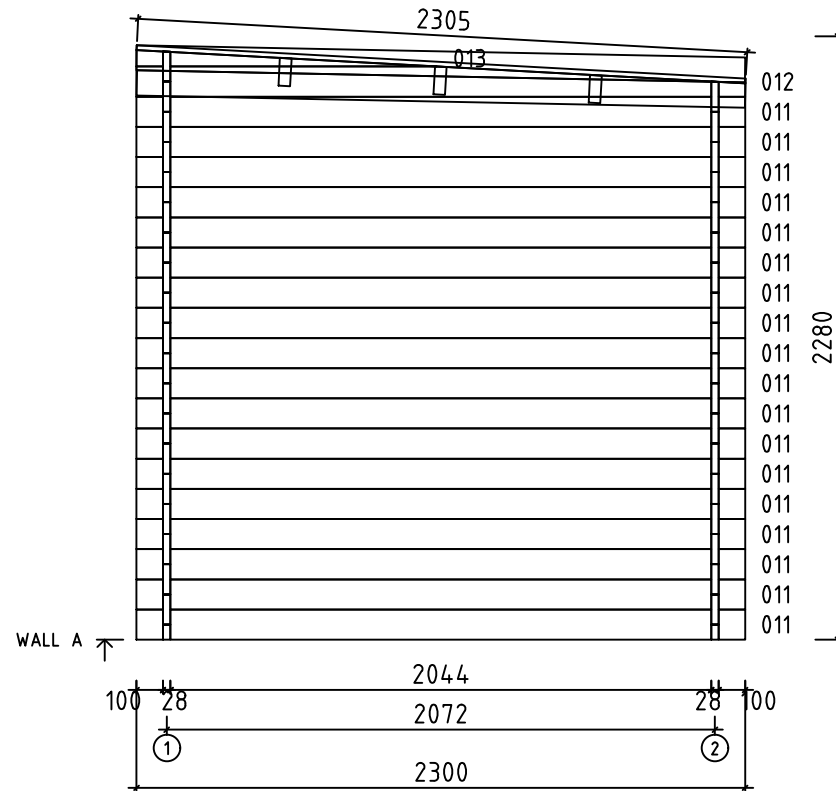
Model	3x2,3 Paloma Plus	Page
Drawing	PLAN	Scale 1:20
Material	28x114	Date 01.08.2024
File	Paloma Plus 3x2,3.dwg	Drawn by



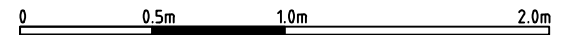
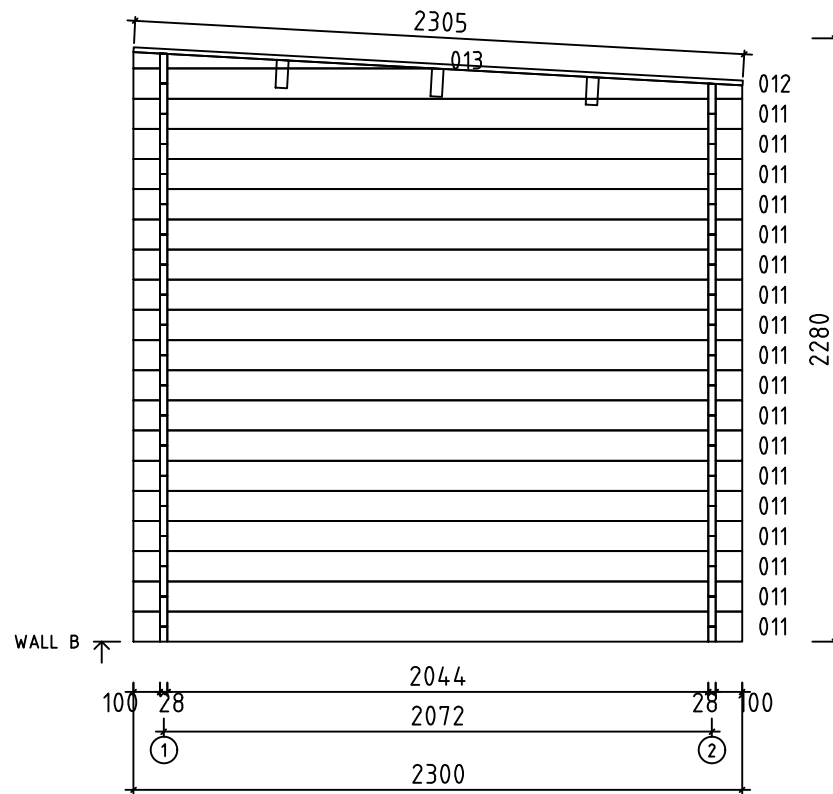
Model	3x2,3 Paloma Plus	Page	
Drawing		Scale	1:20
Material	28x114	Date	01.08.2024
File	Paloma Plus 3x2,3.dwg	Drawn by	



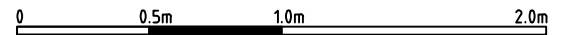
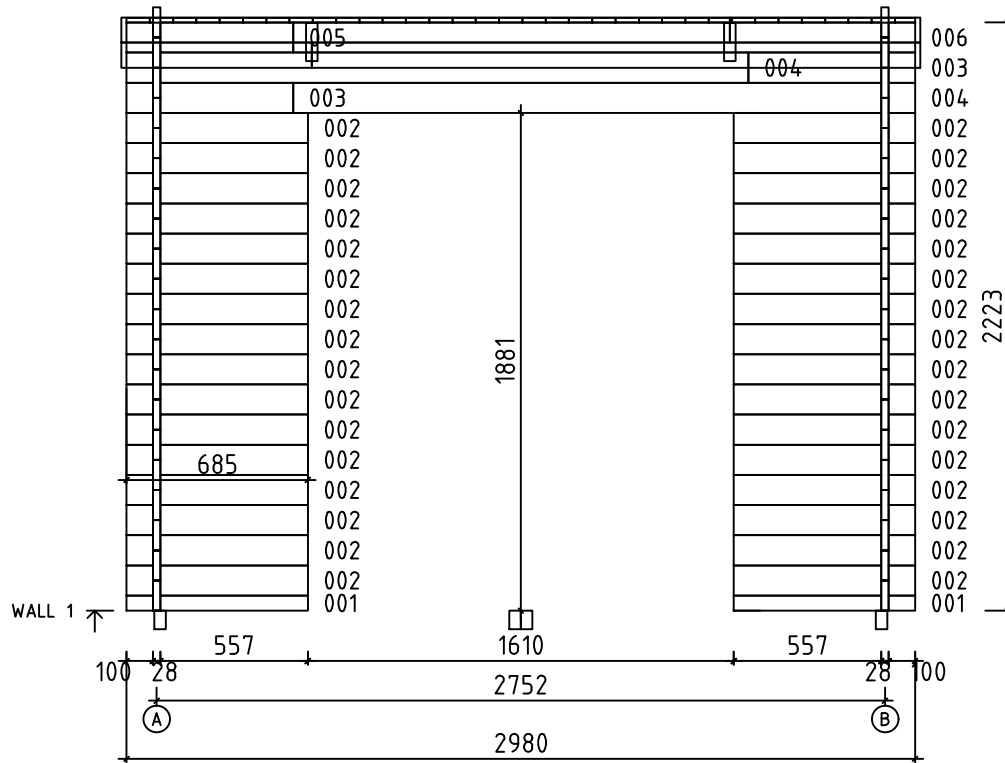
Model	FOUNDATION	Page	
Drawing		Scale	1:20
Material		Date	01.08.2024
File	Paloma Plus 3x2,3.dwg	Drawn by	



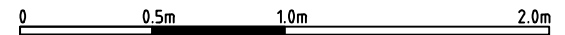
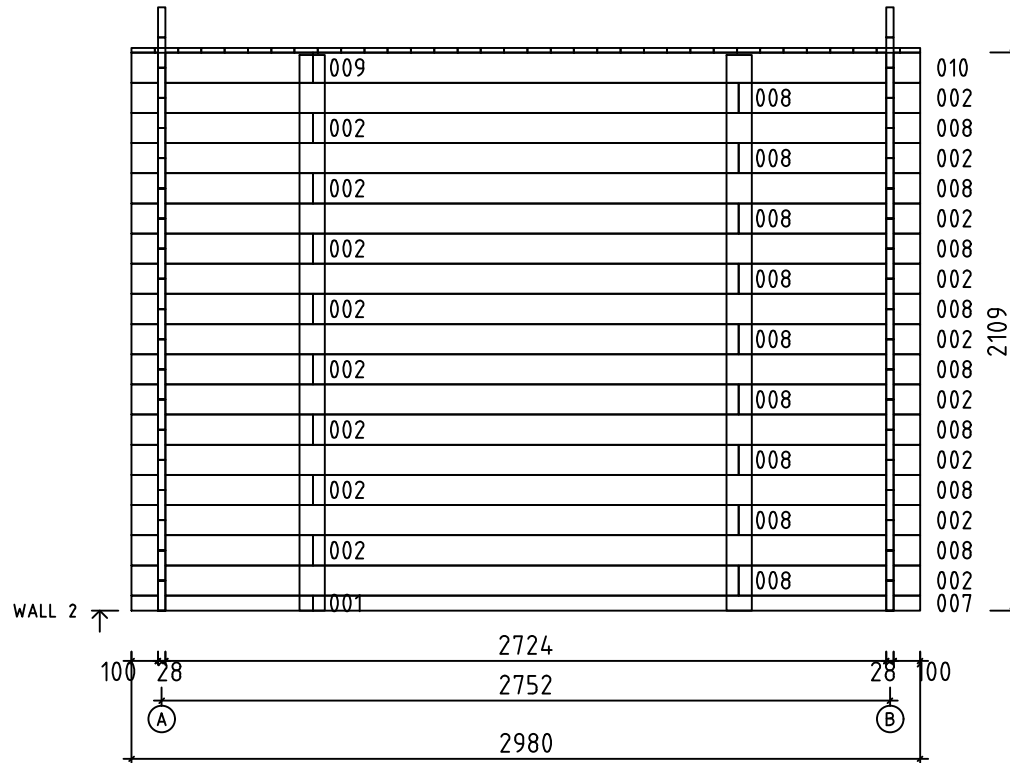
Model	3x2,3 Paloma Plus	Page	2
Drawing	WALL A	Scale	1:20
Material	2.8x11.4	Date	01.08.2024
File	Paloma Plus 3x2,3.dwg	Drawn by	



Model	3x2,3 Paloma Plus	Page	3
Drawing	WALL B	Scale	1:20
Material	2.8x11.4	Date	01.08.2024
File	Paloma Plus 3x2,3.dwg	Drawn by	



Model	3x2,3 Paloma Plus	Page	4
Drawing	WALL 1	Scale	1:20
Material	2.8x11.4	Date	01.08.2024
File	Paloma Plus 3x2,3.dwg	Drawn by	



Model	3x2,3 Paloma Plus	Page	5
Drawing	WALL 2	Scale	1:20
Material	2.8x11.4	Date	01.08.2024
File	Paloma Plus 3x2,3.dwg	Drawn by	