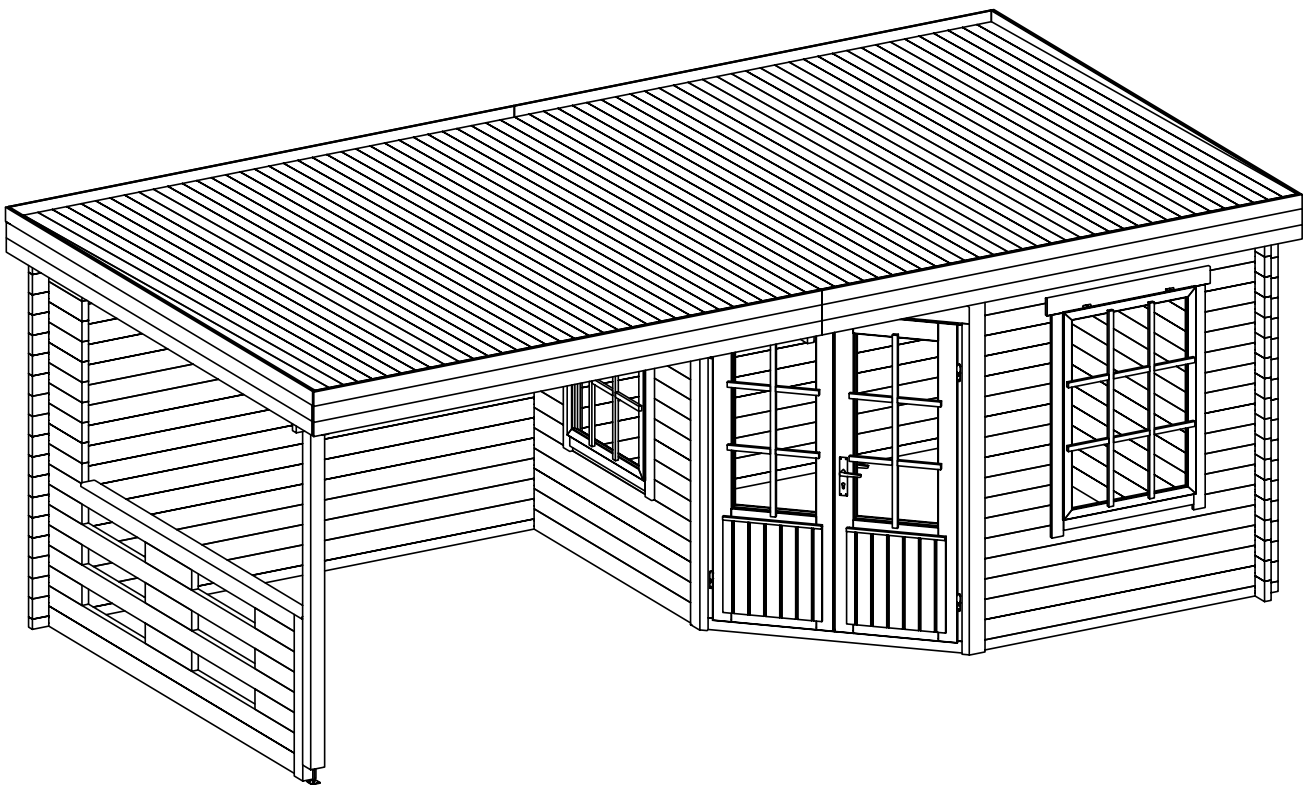
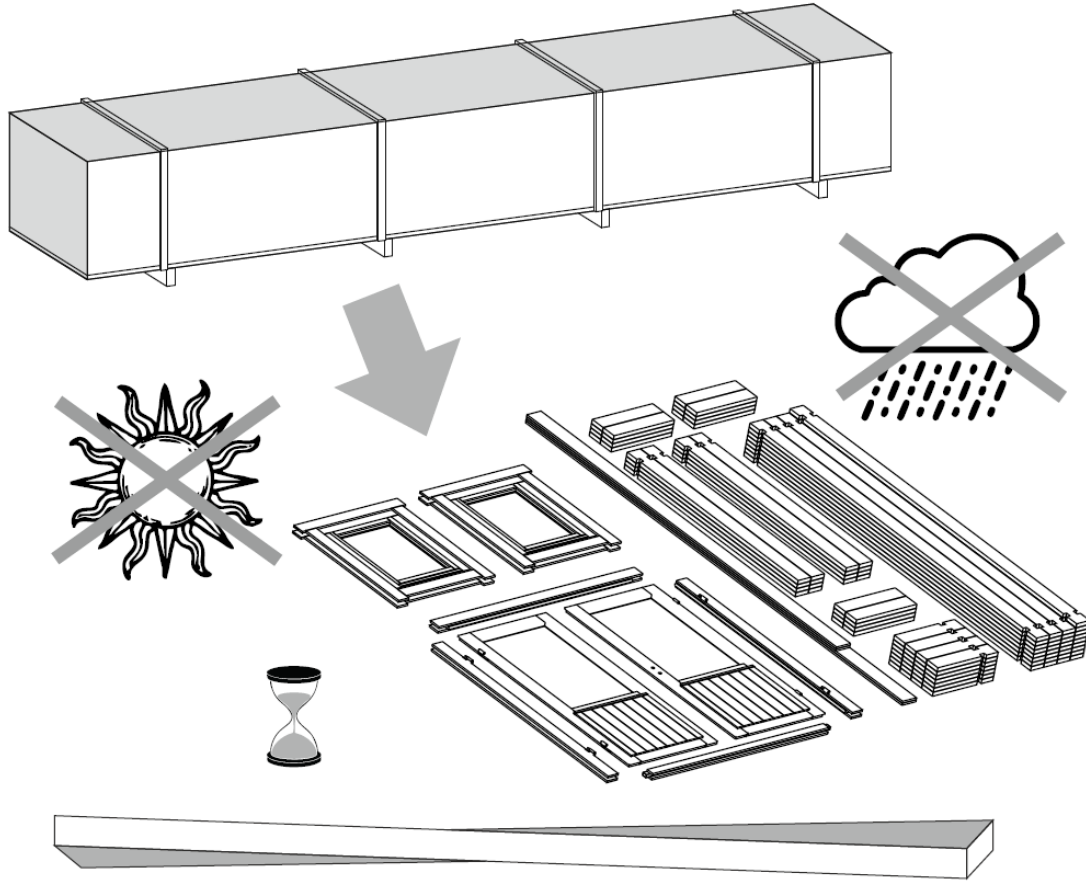
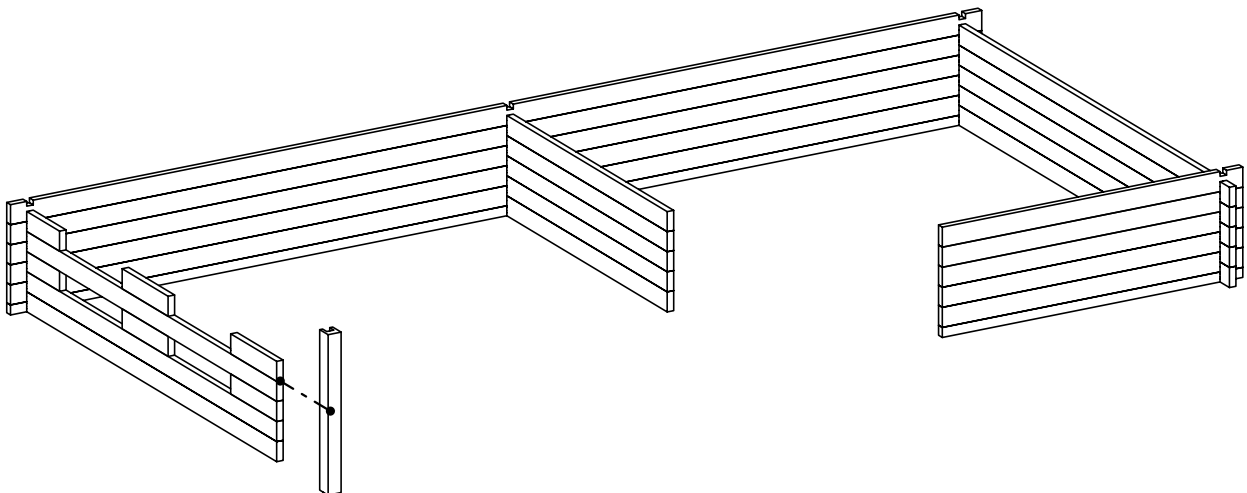
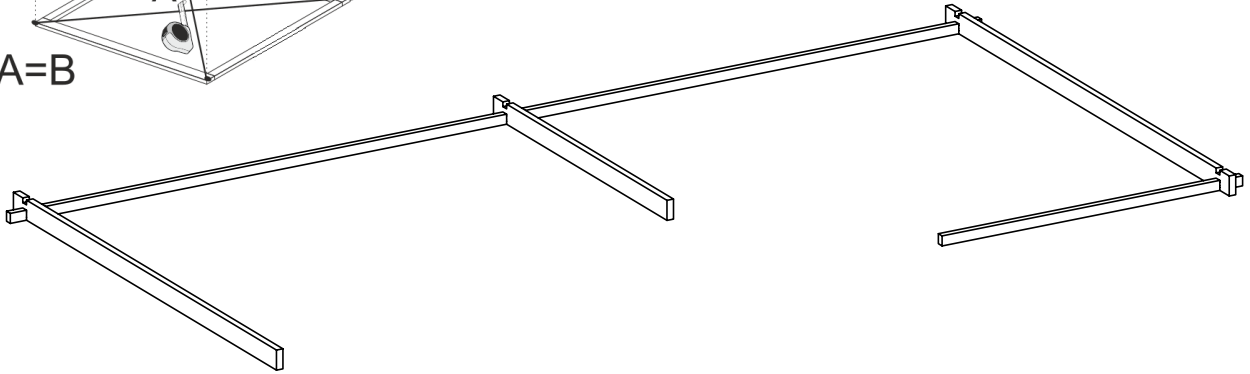
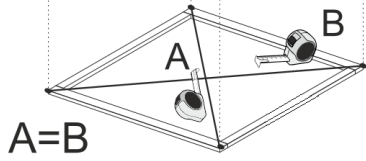
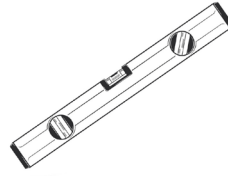
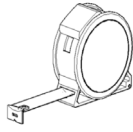
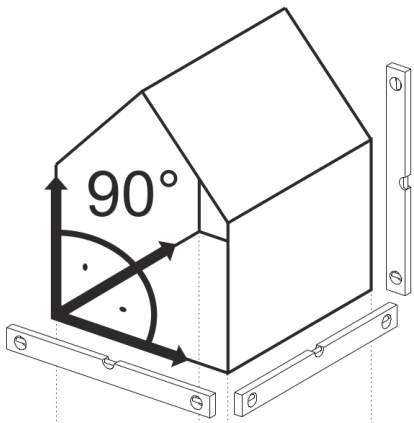


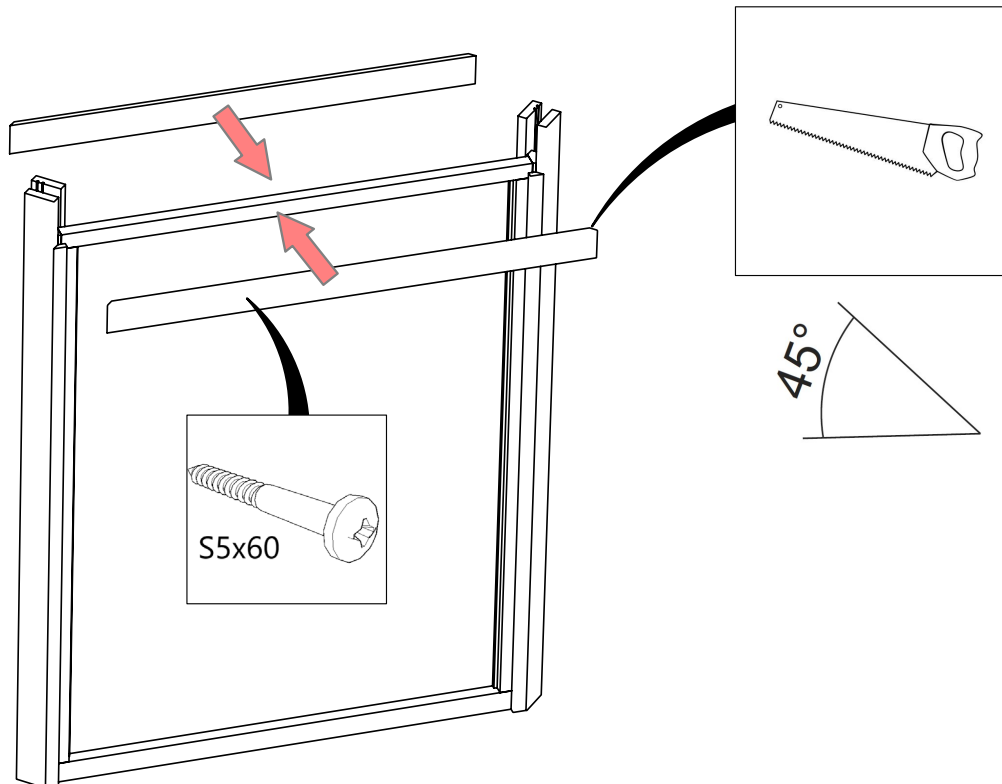
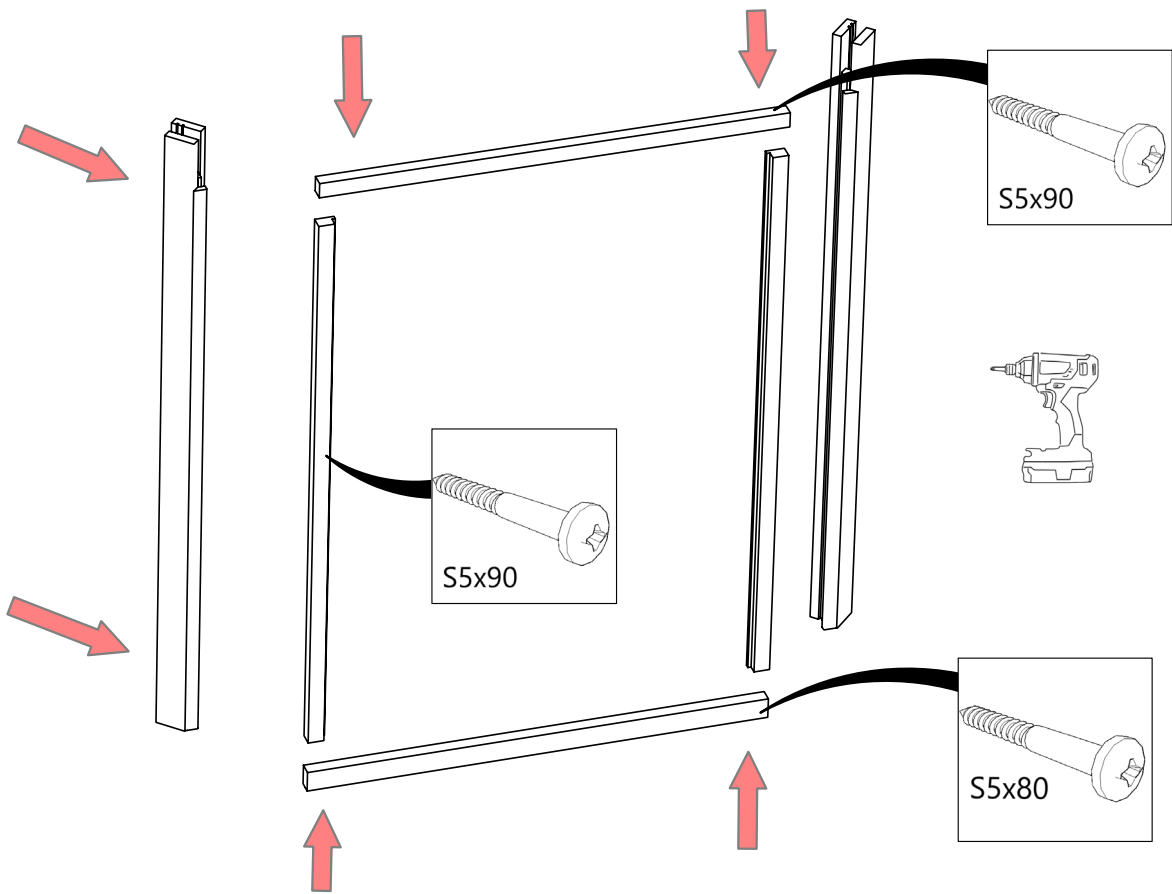
AlphoL<sup>2</sup>

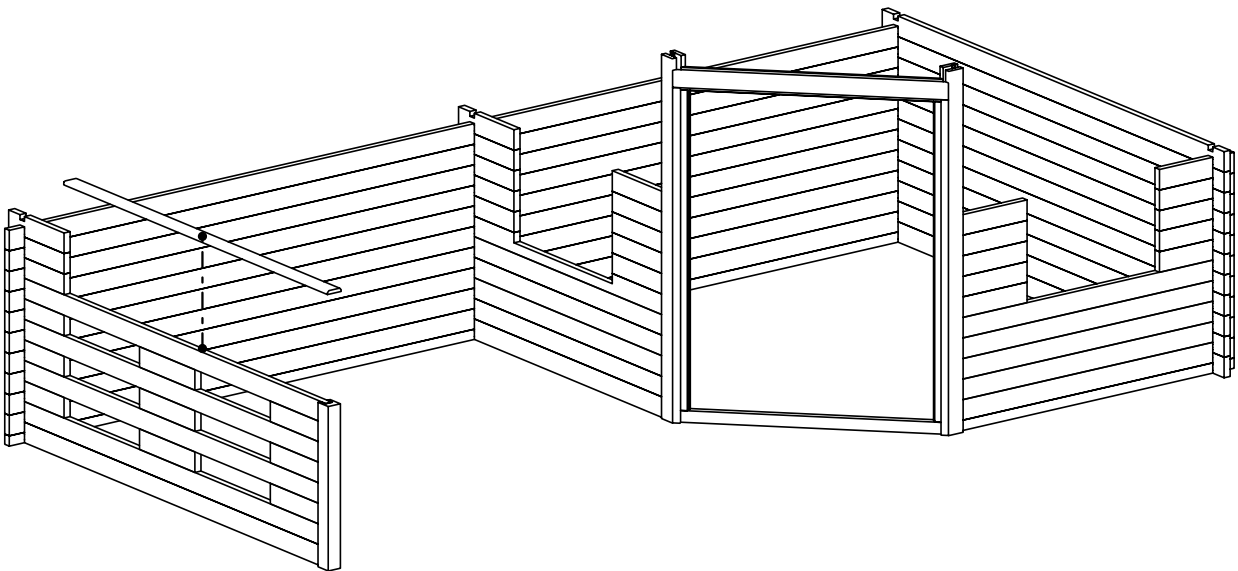
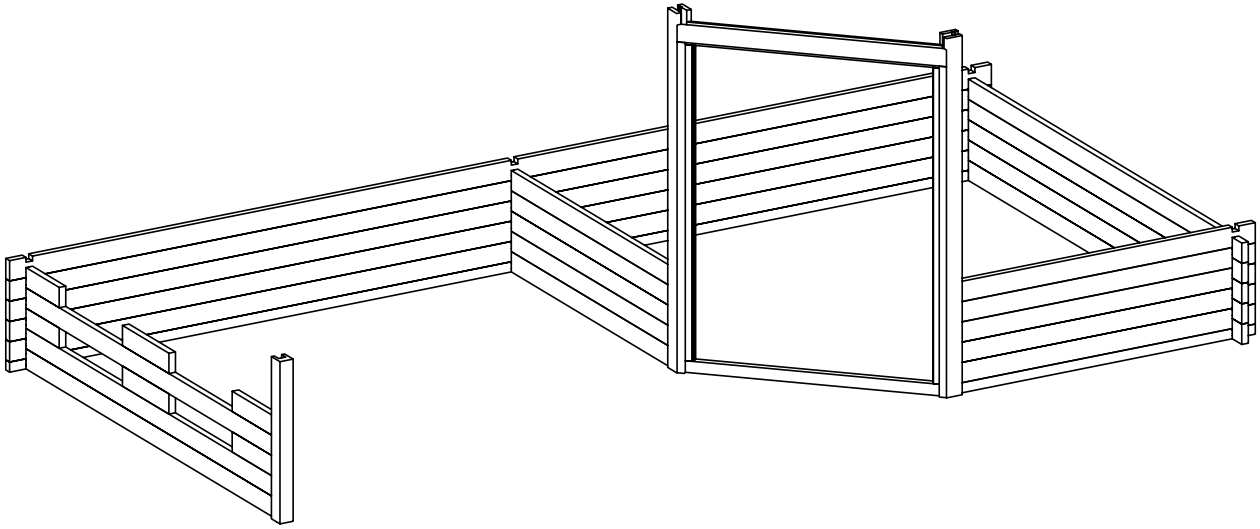


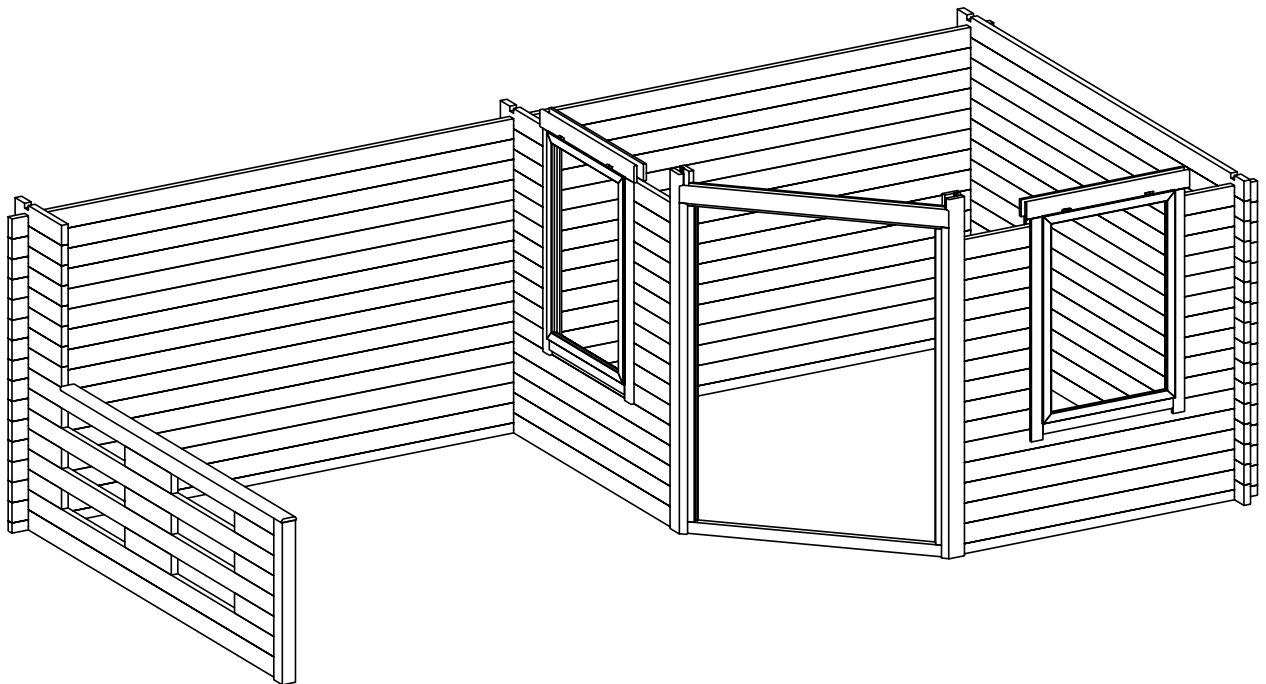
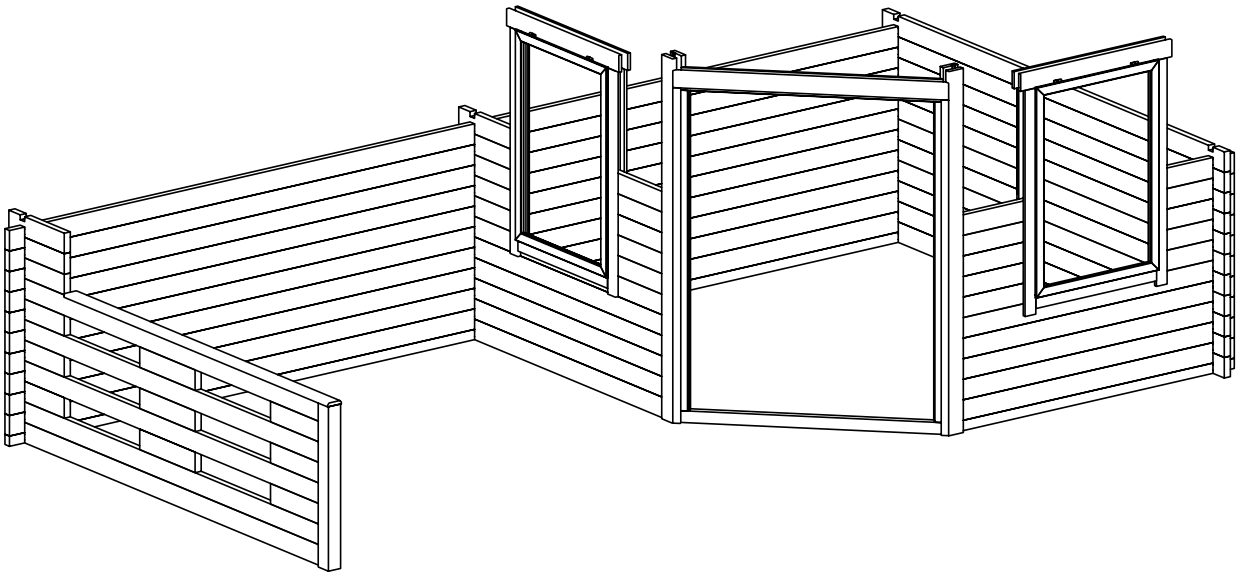
Hanna 40

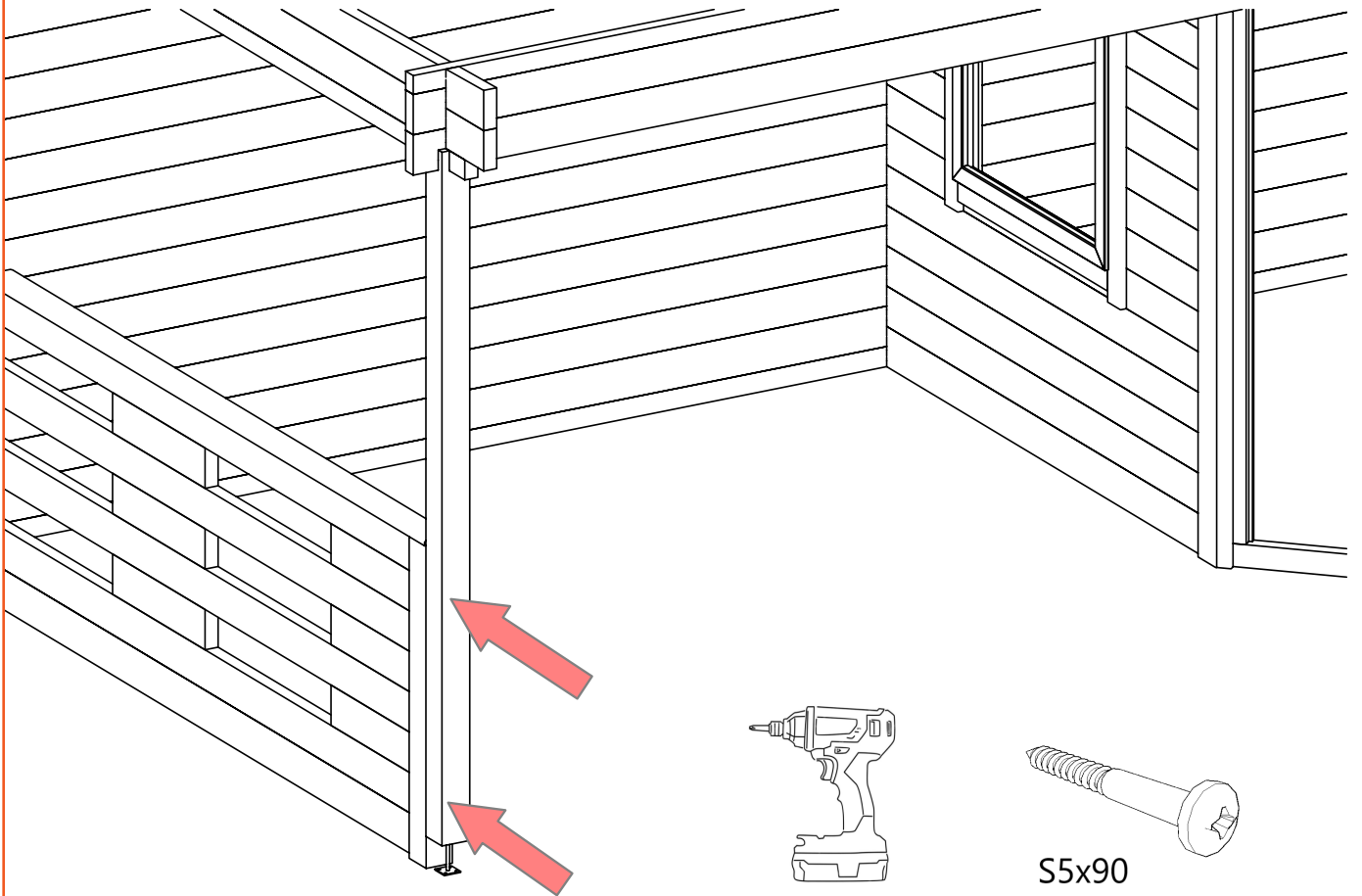
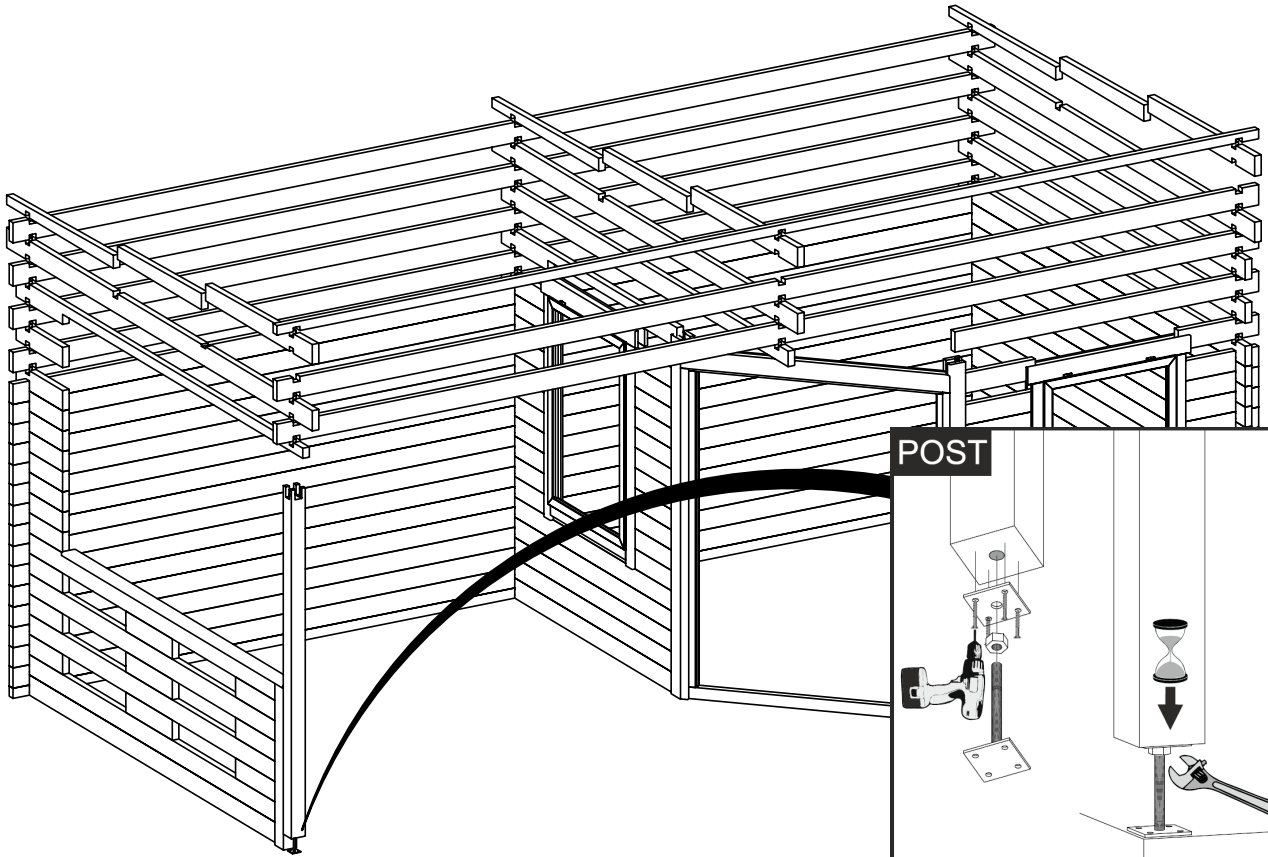




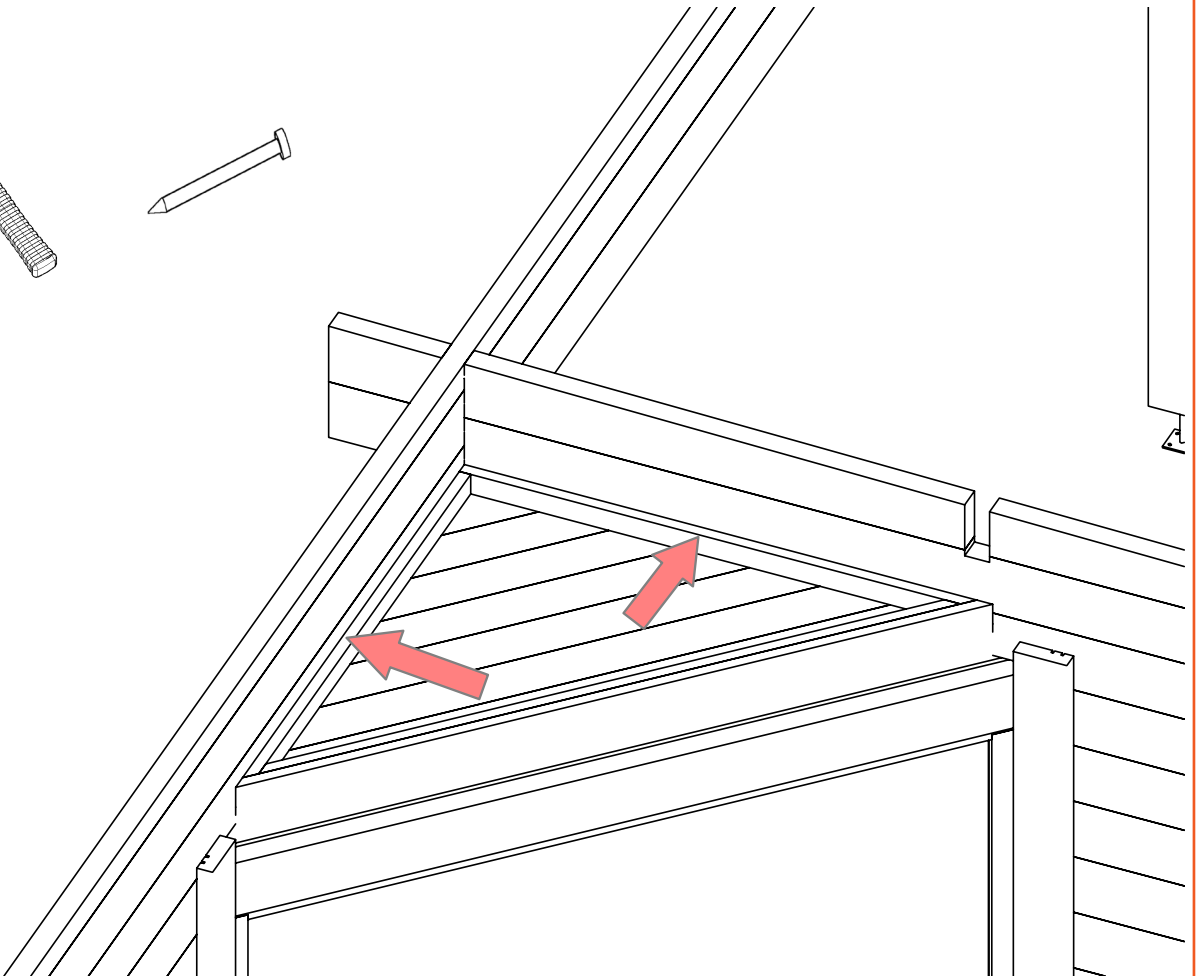
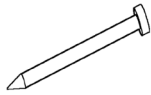
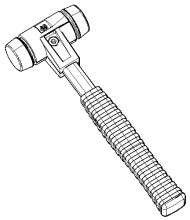
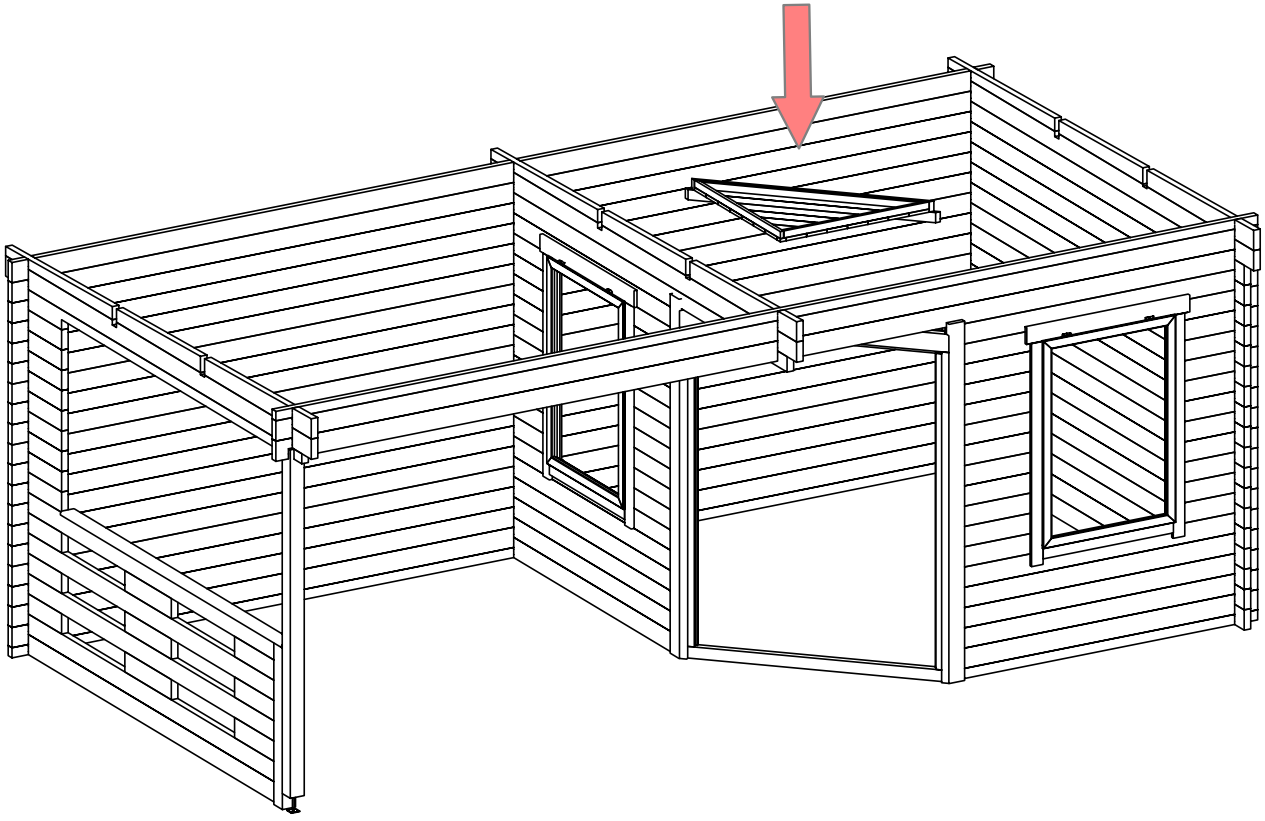






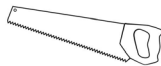
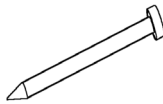
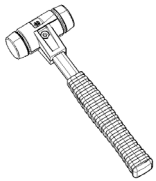
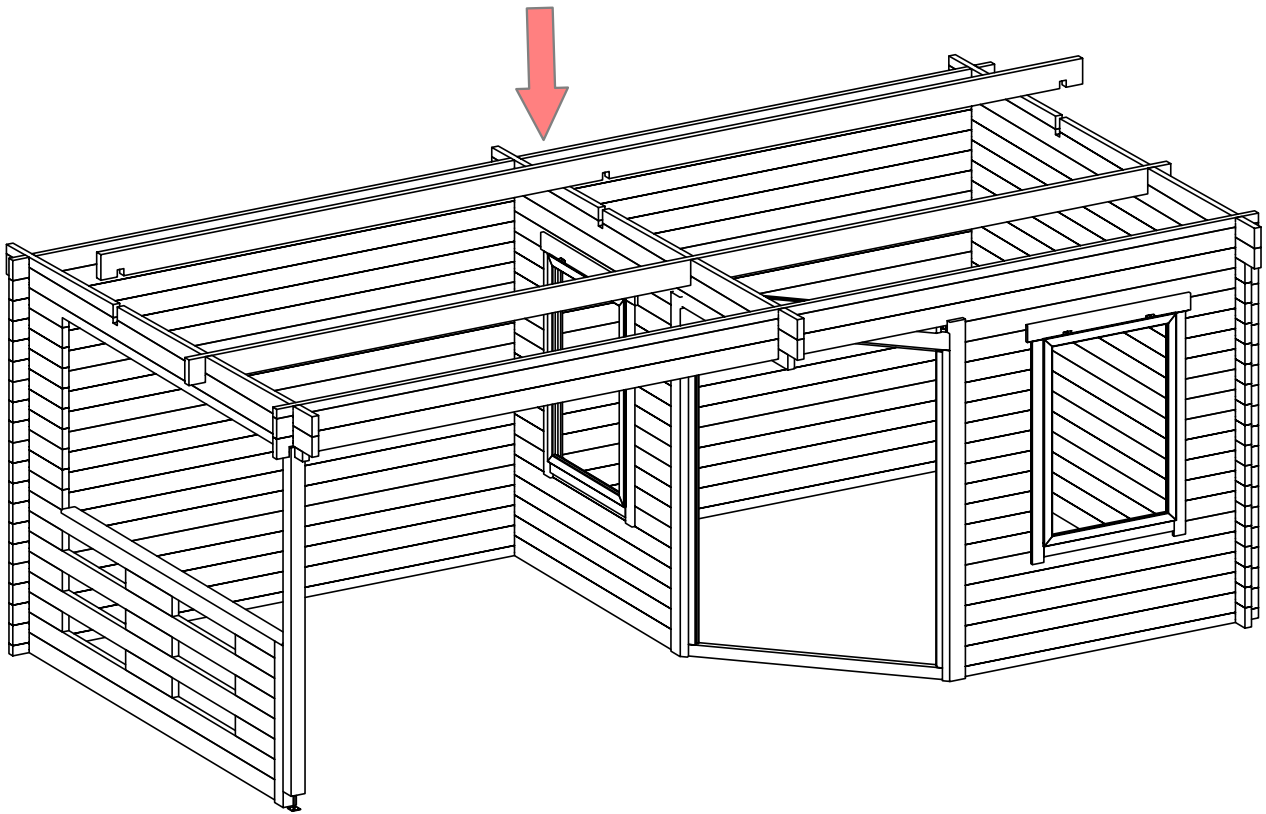


5

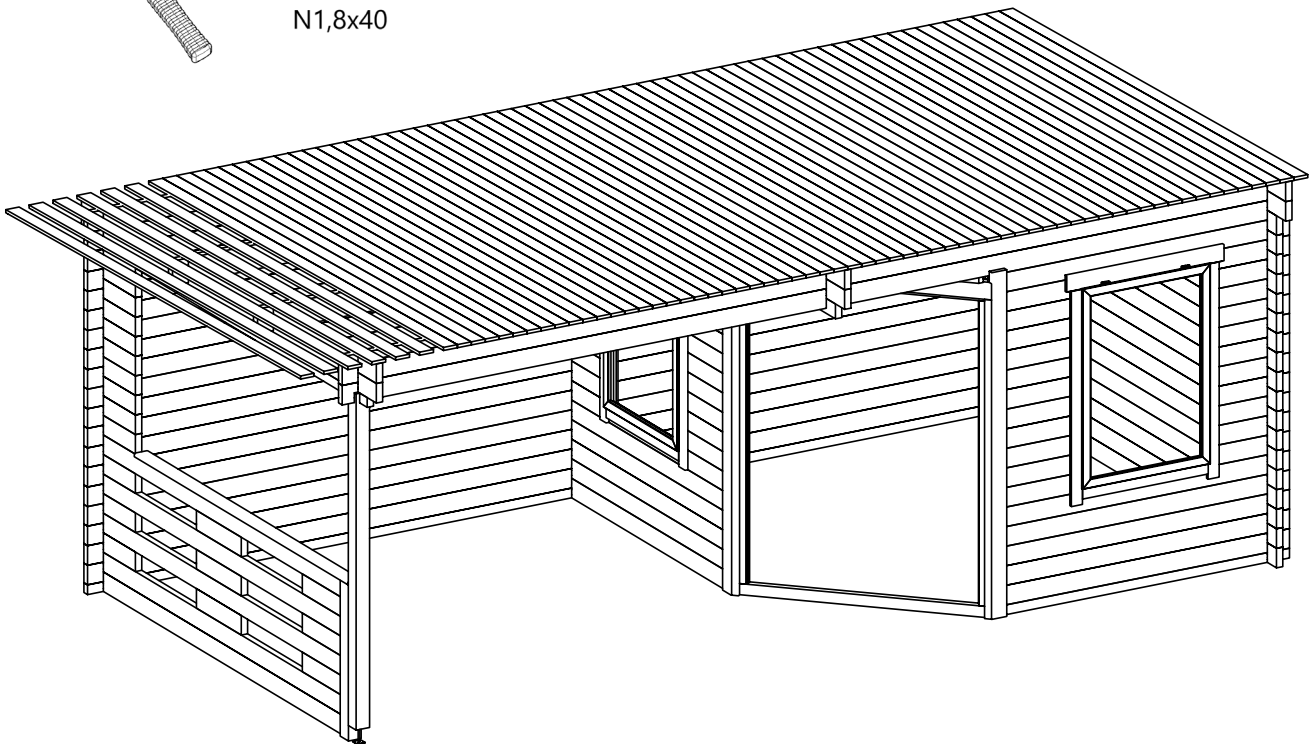


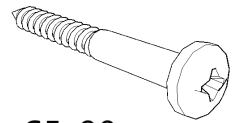
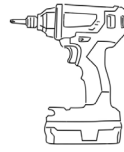
**6**



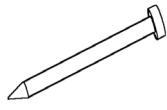
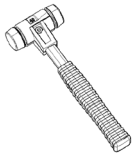
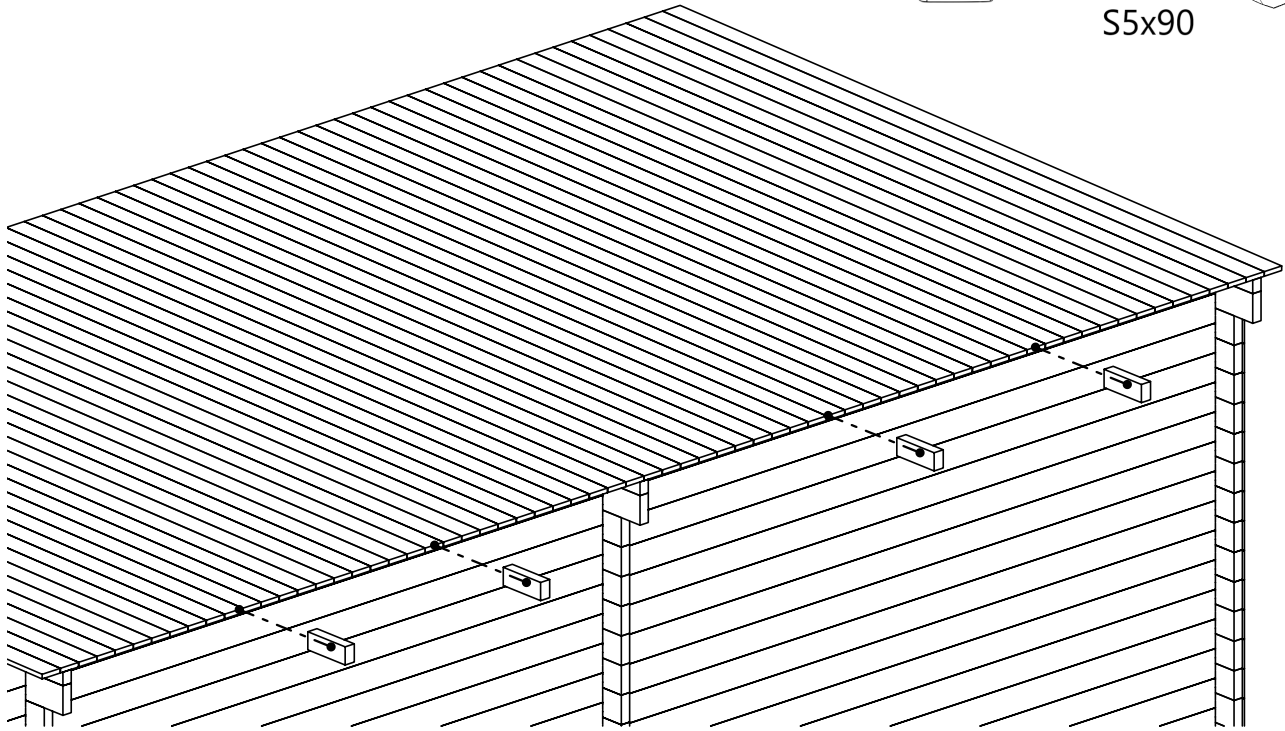


N1,8x40

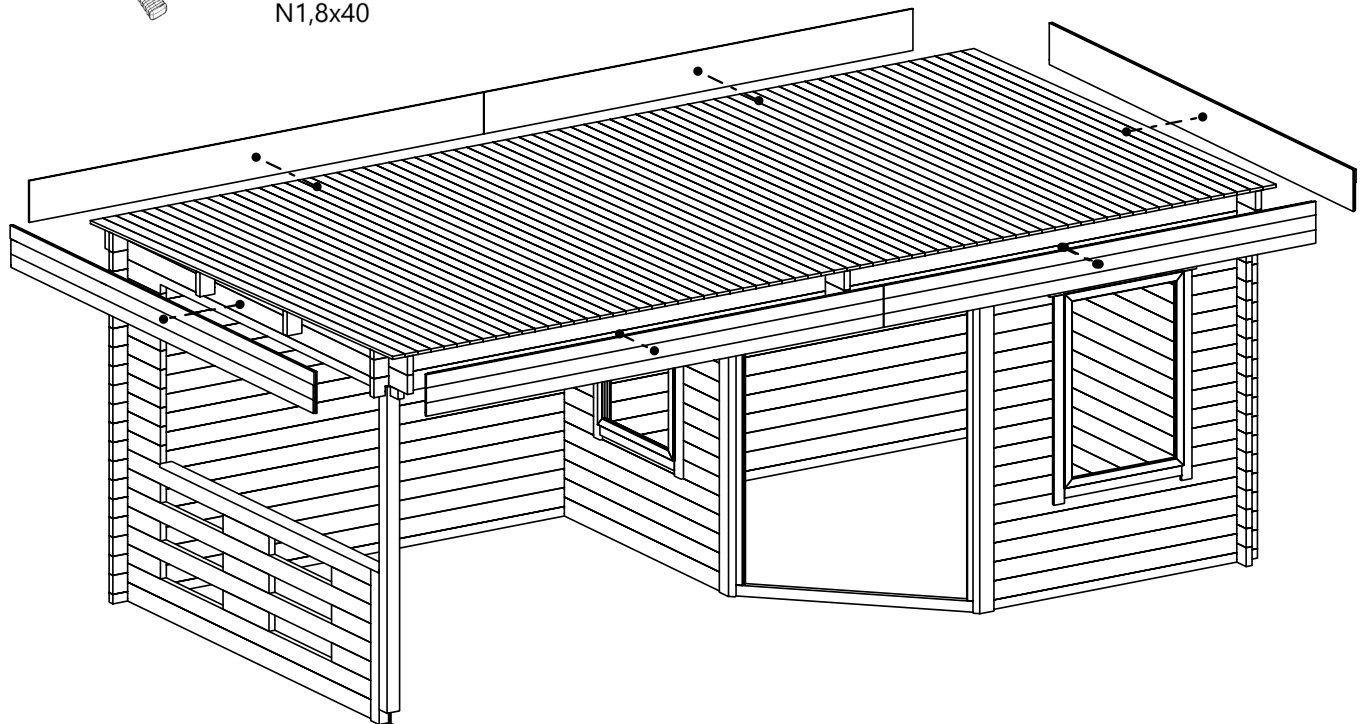
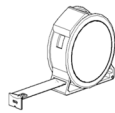


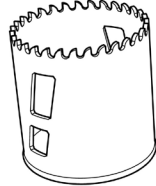
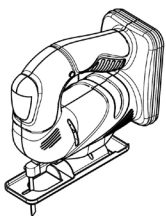
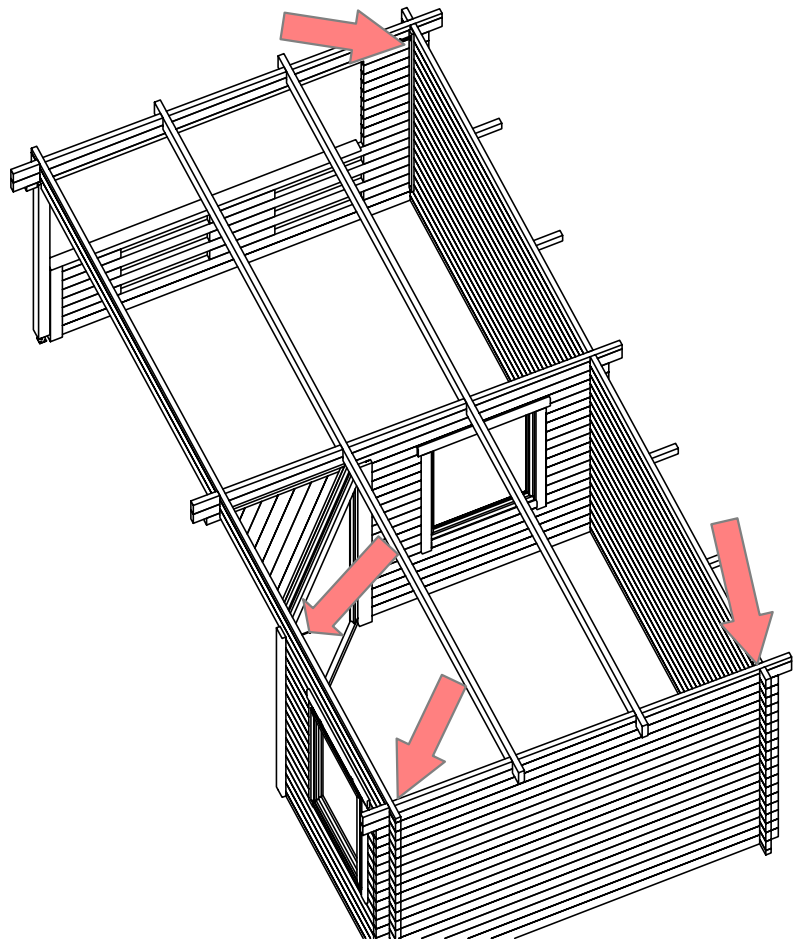
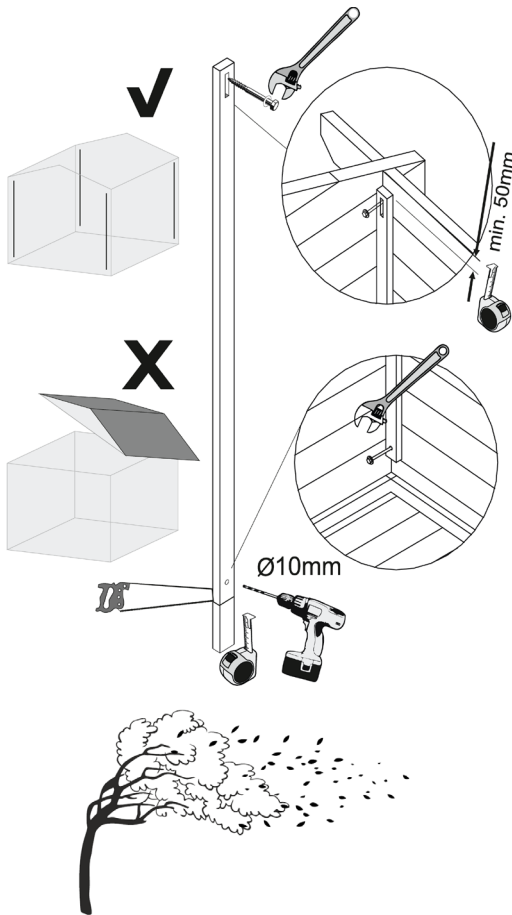


S5x90

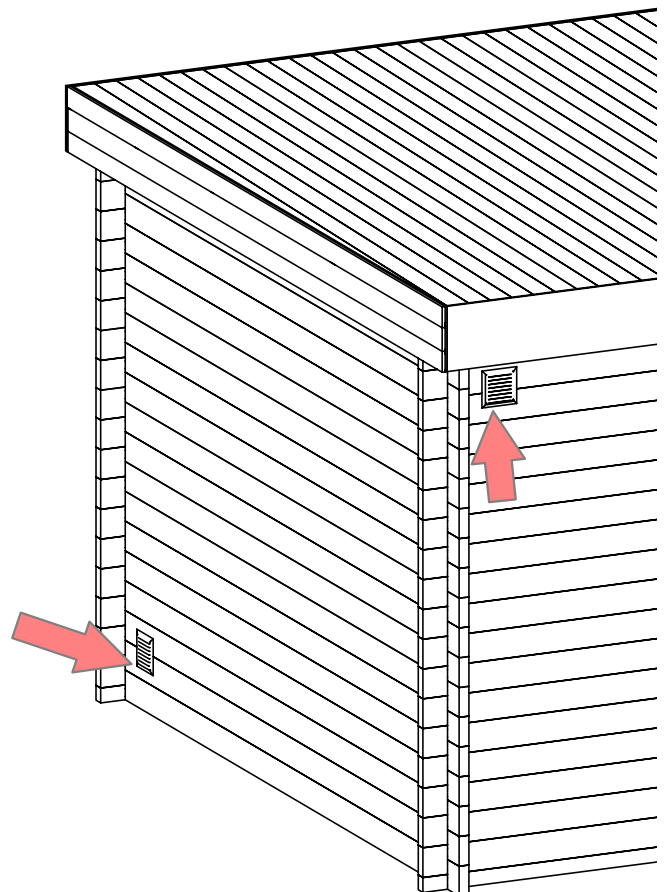
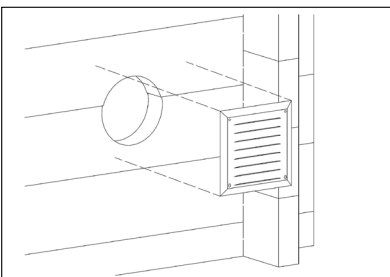
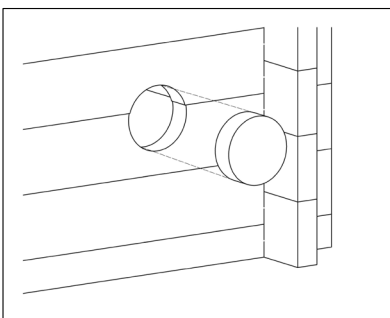


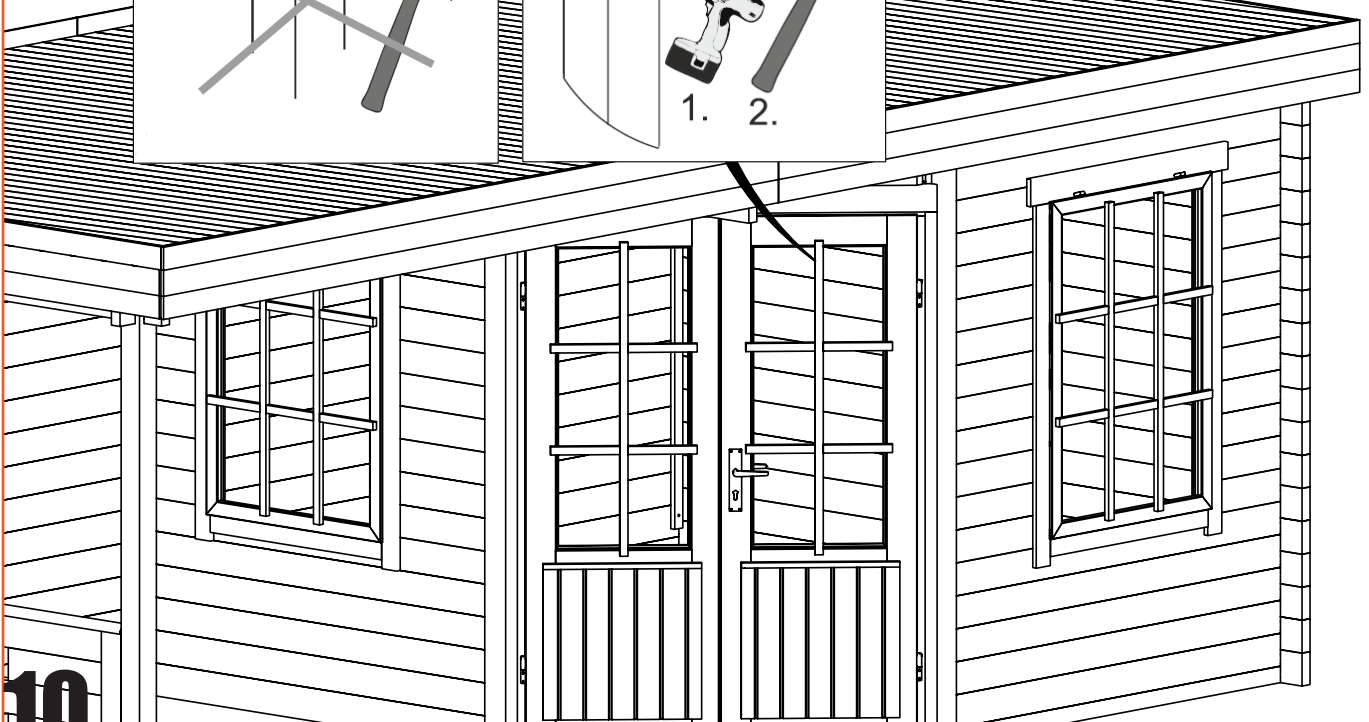
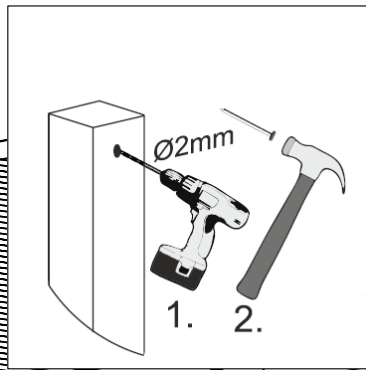
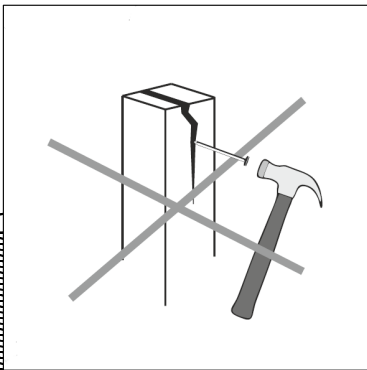
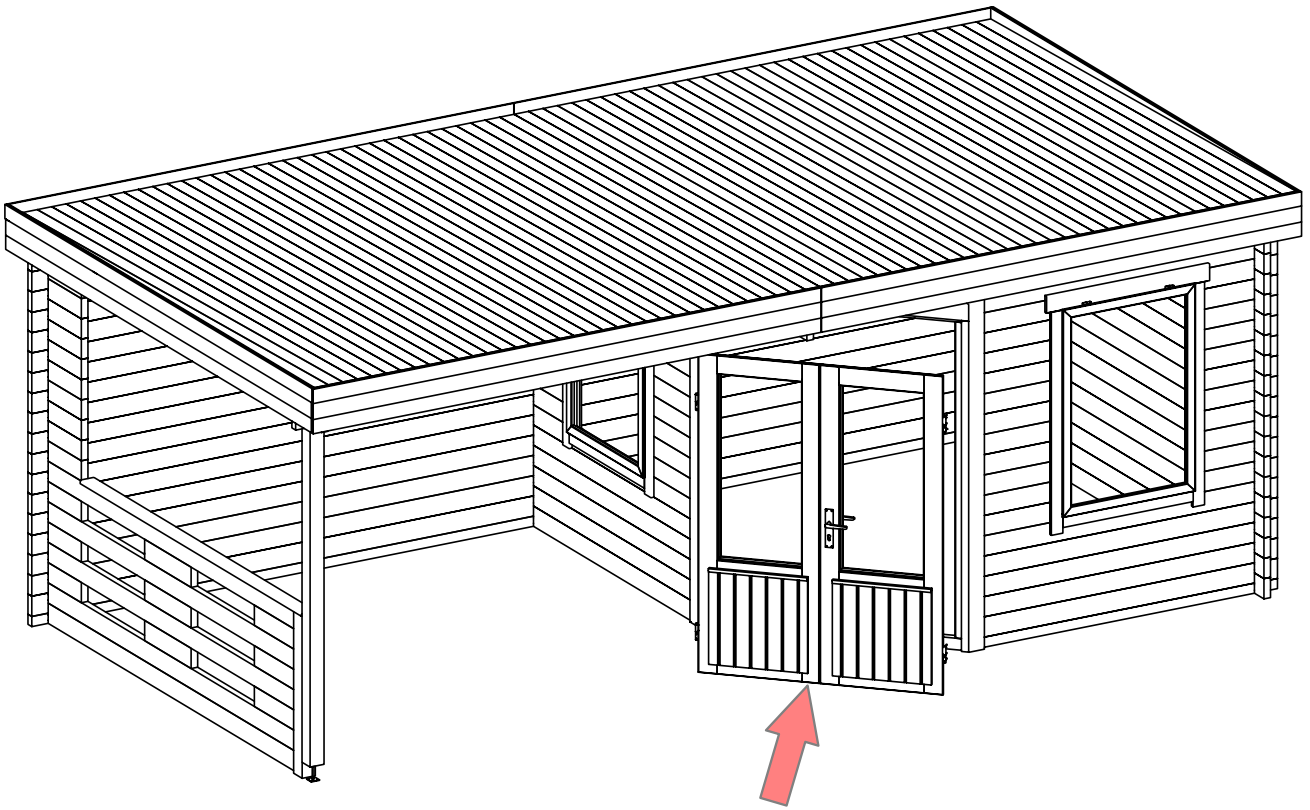
N1,8x40

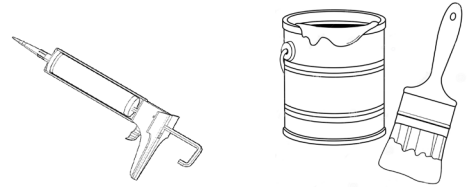
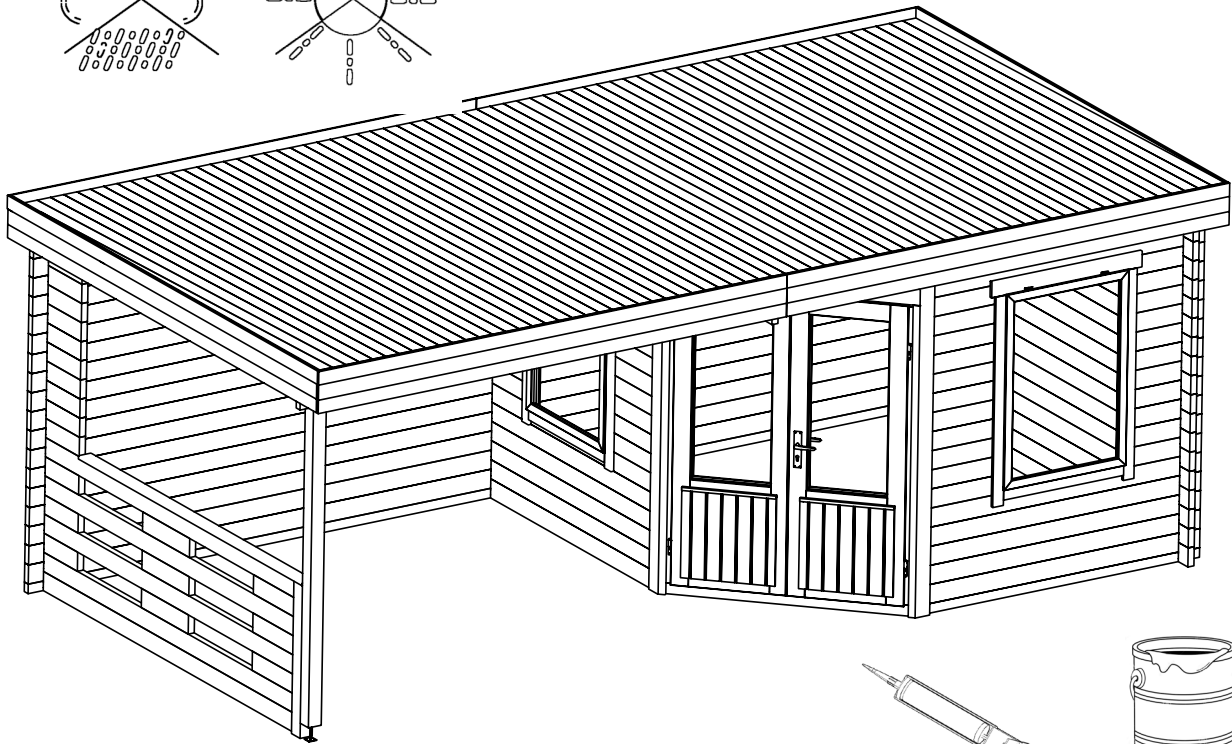
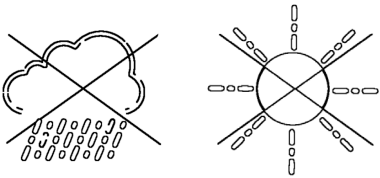




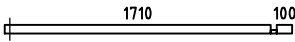
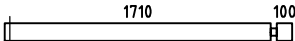
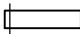
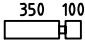
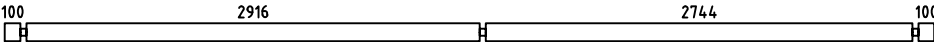
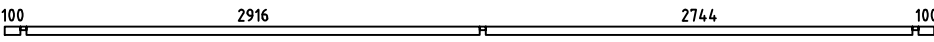
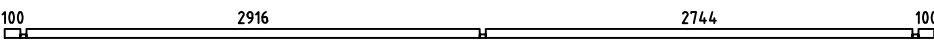
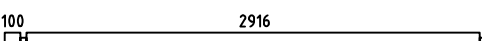
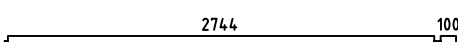
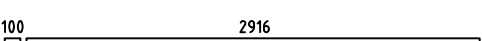
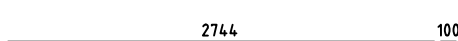

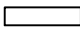
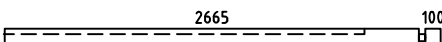
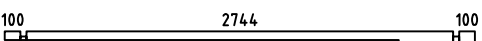
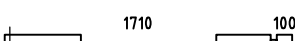
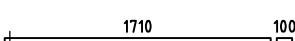
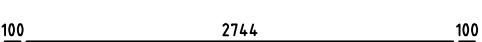
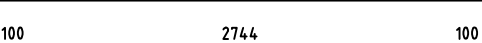
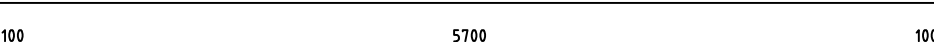
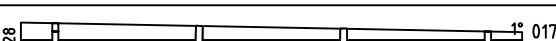
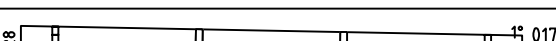
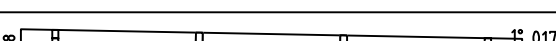
Ø ca 130mm

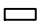
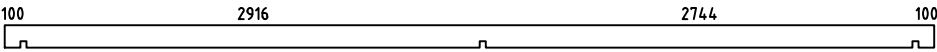
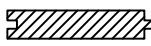
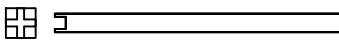

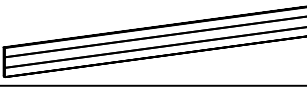
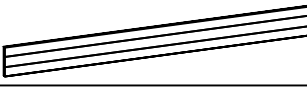
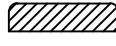
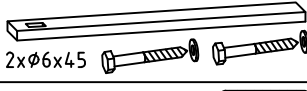
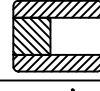
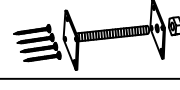
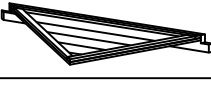

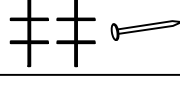

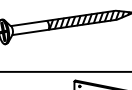

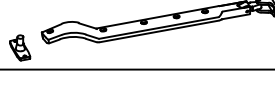
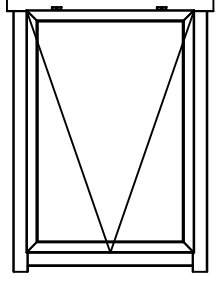
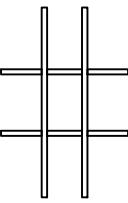




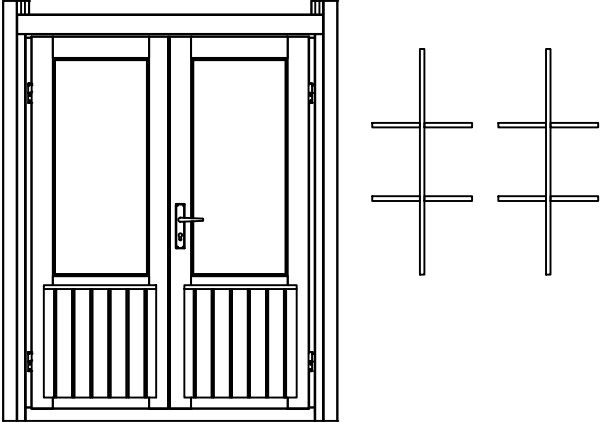
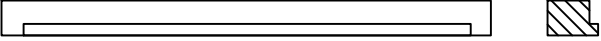
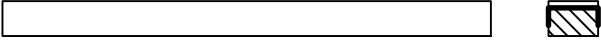
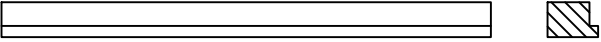
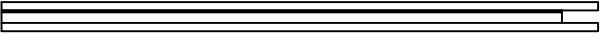
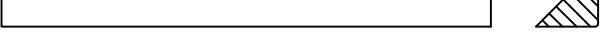







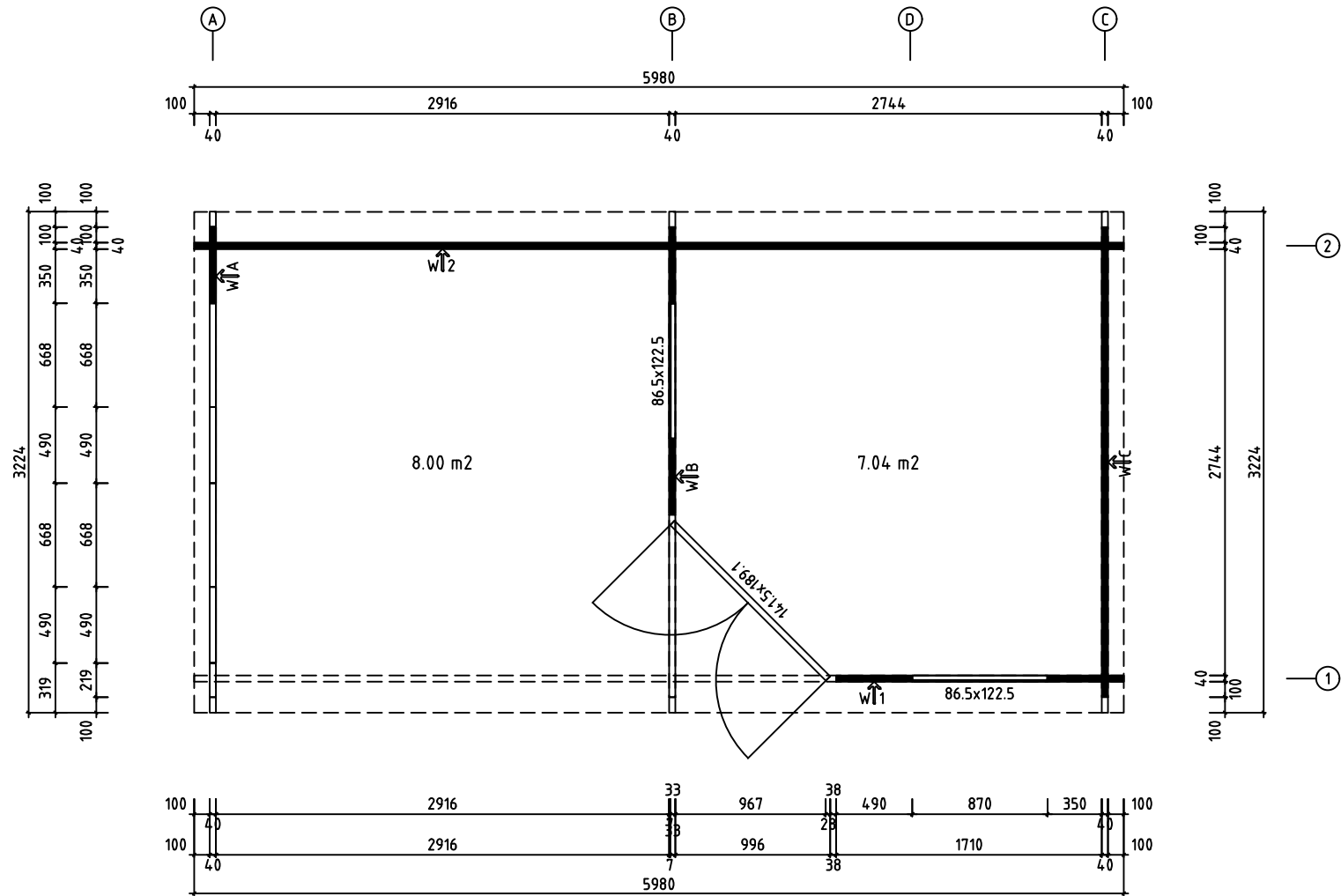
Pos	Specification-Spezifikation-Specificatie-Nomenclature-Elementi-Especificacion Hanna 40	Qty	Profile (mm)	Lenght (mm)
001		1	40x57	1850
002		11	40x114	1850
003		21	40x114	490
004		33	40x114	490
005		11	40x114	5980
006		1	40x53	5980
007		1	40x57	5980
008		9	40x114	3076
009		9	40x114	2904
010		1	40x114	3076
011		1	40x114	2904
012		4	40x114	2805
013		6	40x114	490
014		1	40x114	2805
015		1	40x114	3024
018		1	40x114	1850
019		1	40x114	1850
020		1	40x114	3024
021		18	40x114	3024
EXTRA		1	40x114	5980
WA-1		1	017 016	
WB-1		1	017 016	
WC-1		1	017 016	
Model	Hanna 40	Material	Page 1/3	

Pos	Specification-Spezifikation-Specificatie-Nomenclature-Elementi-Especificacion Hanna 40	Qty	Profile (mm)	Lenght (mm)
CS1	CORNICE SUPPORT-TRAGELEISTE-STEUNEN BAR-SUPPORT-SUPPORTO-SOPORTE 	4	44x70	200
PL1	PURLIN-DAKBALK-DACHPFETTE-PANNE-ARCARECCIO-CORREA 	2	44x144	5980
R-1	Roof board-Dachbrett-Dakplank-Volige-Tavola tetto-Tabla de tejado 	68+1 53+1	88x18 114x18	3224
	+POST 8.5x8.5 	1	85x85	2040
CO-1	Cornice 20x250-Gesimse-Kroonlijst-Corniche-Cornicione-Cornisa 	2	20x250	2925
CO-2	Cornice 20x250-Gesimse-Kroonlijst-Corniche-Cornicione-Cornisa 	2	20x250	3095
CO-3	Cornice 20x250-Gesimse-Kroonlijst-Corniche-Cornicione-Cornisa 	2	20x250	3240
	Handrail 70-Handlauf-Leuning-Rampe-Corrimano-Pasamano 1.8x7 	1	18x70	2365
SS-1	Storm slat kit-Sturmleiste satz-Stormanker set-Kit de latte anti tempête-Kit listello di tempesta-Kit liston anti tormenta 	4	18x40	2000
	U-Profile 	1		912
	Adjustable foot kit-Pfosten-träger-Paalhouder-Pied de poteau-Portapilastrri-Base para poste 	1		
CET1	Ceiling element 1-Deckenelement-Plafond element-Panneau de plafond-Pannelo da soffitto-Panel de techo 	1	931x1316	
	Double door kit-Doppeltür satz-Dubbele deur set-Kit double porte-Kit porta-Kit para puerta 	1		
	Nail 1.6x30-Nagel-Spijker-Clou-Chiodo-Clavo 	30	1.6x30	
	Nail 1.8x40-Nagel-Spijker-Clou-Chiodo-Clavo 	310	1.8x40	
S5x90	Screw 5x90-Schraube-Schroef-Vis-Vite-Tornillo 	8	5x90	
	Ventilation panel kit-Außengitter-Schoepenrooster-Panneau de ventilation-Griglia di ventilazione-Rejilla de ventilacion 	1		
	Window stay-Fensterfeststeller-Raamuitzetter-Limiteur d'ouverture fenêtrre-Vento bretelle-Soporte de ventana 	2		
	WINDOW 865x1225 W0-9N 865x1225-40  	2		
Model	Hanna 40	Material	Page	2/3

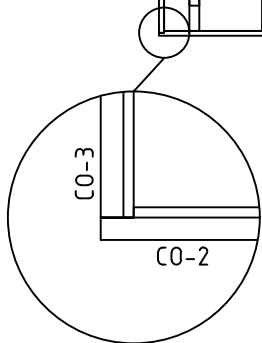
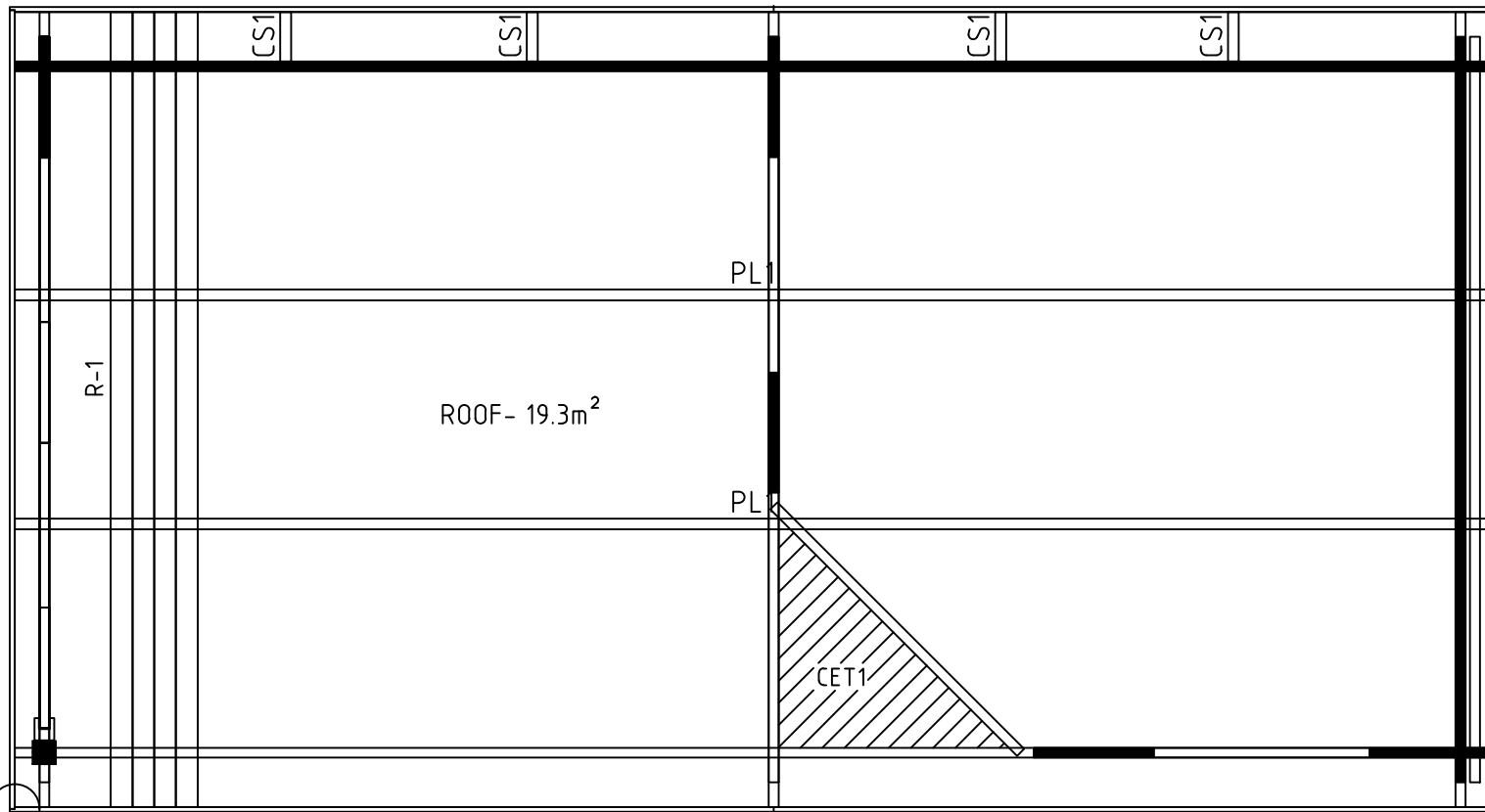


Pos	Specification-Spezifikation-Specificatie-Nomenclature-Elementi-Especificacion Hanna 40	Qty	Profile (mm)	Lenght (mm)
	DOOR 1415x1891 DD06-6P 1415x1891-40 	1		
CORNER DOOR SET				
1	Top Jamb 	1	58x42	1415
2	Threshold 	1	58x42	1415
3-4	Vertical Jamb 	2	58x42	1781
5-6	Post Set 	1+1	42x61	2020
7-8	Cover Slat 	2	40x18	1860
9-10	Casting 	2	18x95	1500
S4x60	Screw 4x60-Schraube-Schroef-Vis-Vite-Tornillo 	16	4x60	
S5x90	Screw 5x90-Schraube-Schroef-Vis-Vite-Tornillo 	16	5x90	
Model	Hanna 40	Material	Page 3/3	


H = 1.600 m  
TOTAL: 15.04 m<sup>2</sup>

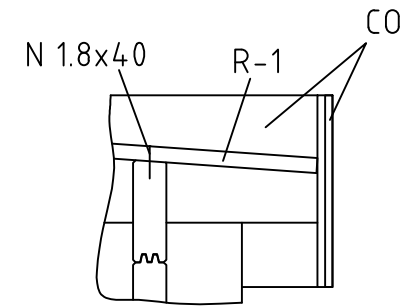
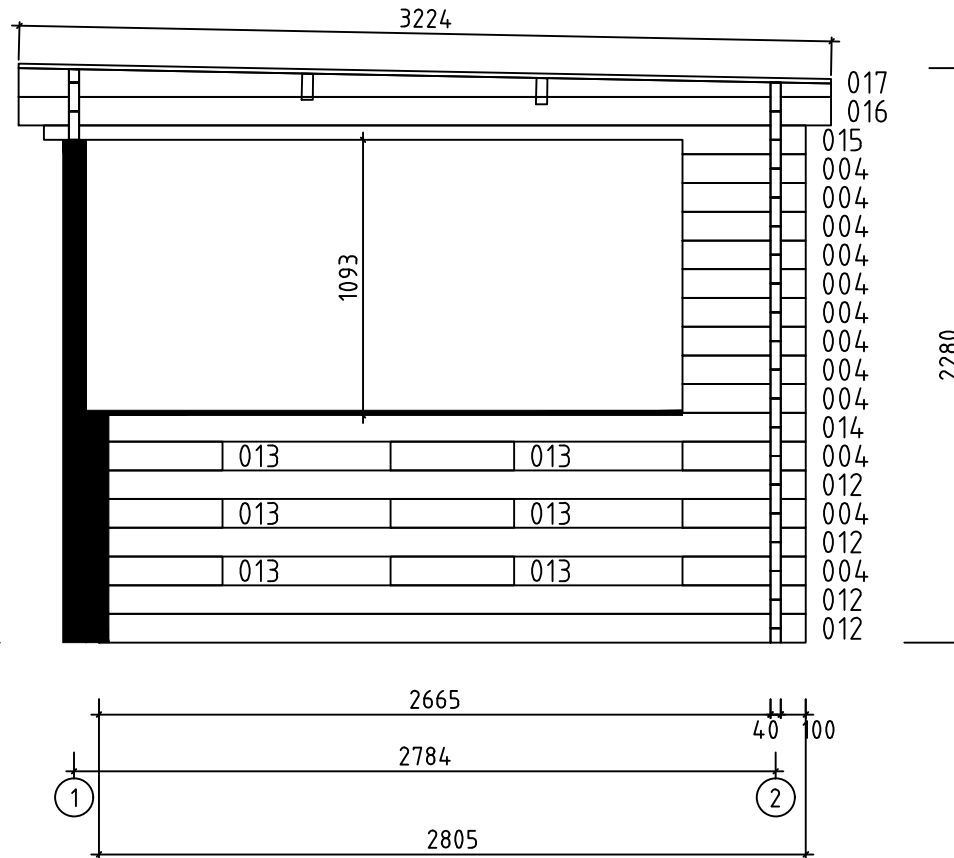
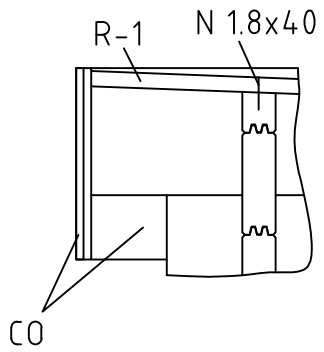


Model Hanna 4.0		Drawing PLAN		Page
		Drawn by J.S	Material 4.0x114	Scale 1:30
		Date 17.01.2024	File Hanna 4.0.dwg	

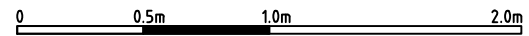



0 0.5m 1.0m 2.0m

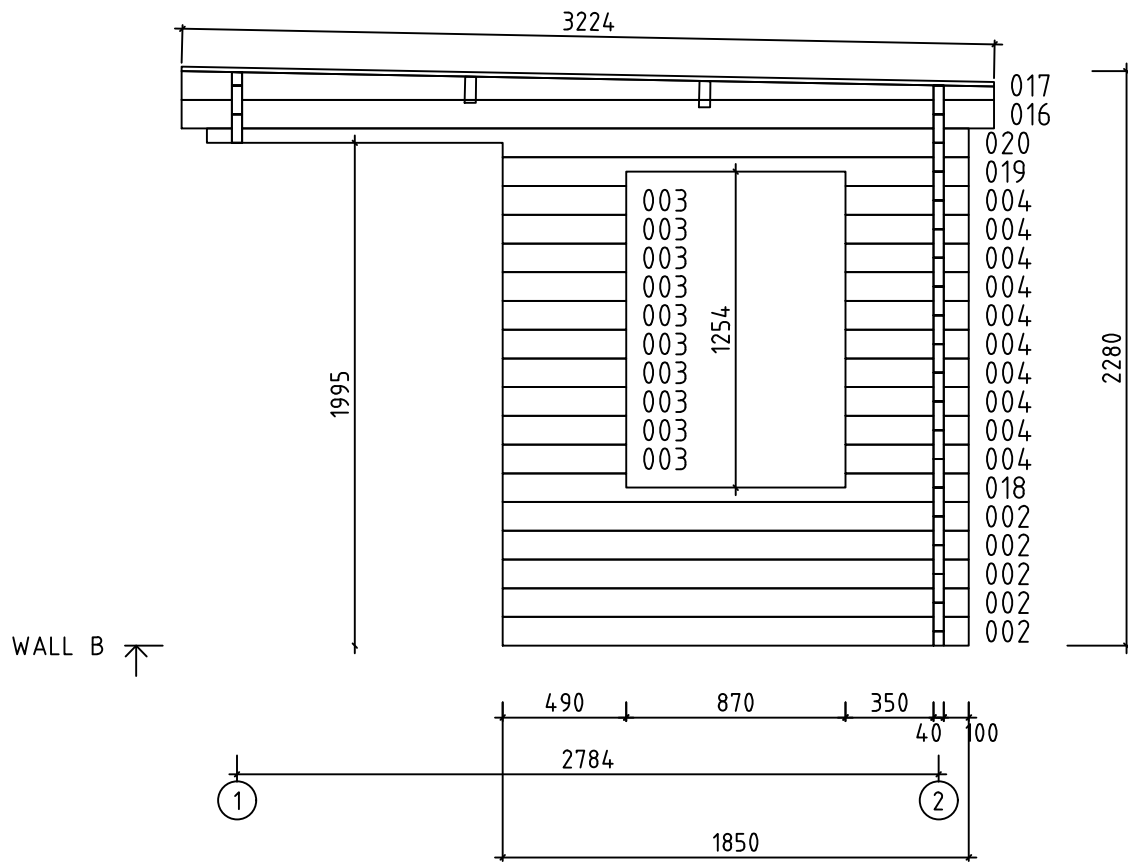
Model	Hanna 40	Drawing	ROOF	Page			
		Drawn by	J.S	Material	40x114	Scale	1:30
		Date	17.01.2024	File	Hanna 40.dwg		




WALL A ↑

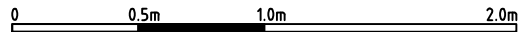
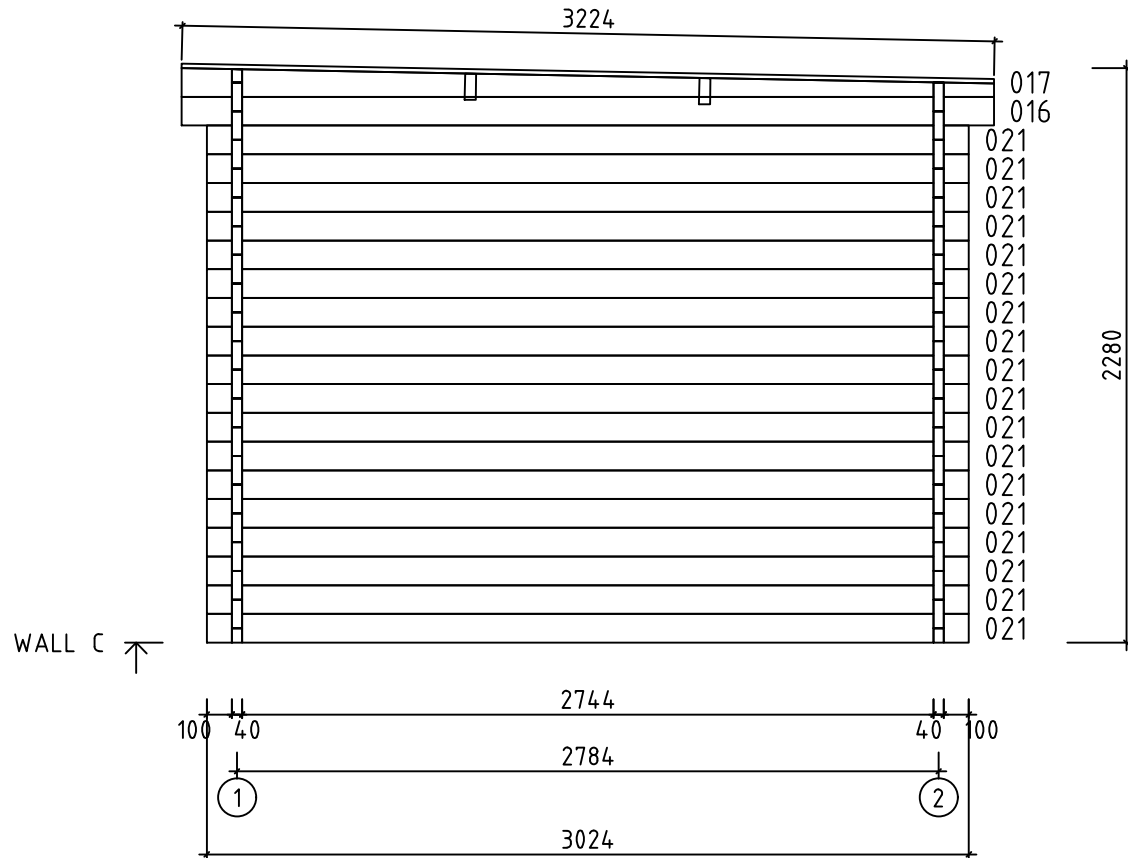



Model	Hanna 40	Drawing	WALL A	Page	2	
	Drawn by	J.S	Material	4x11.4	Scale	1:30
	Date	17.01.2024	File	Hanna 40.dwg		

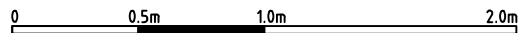
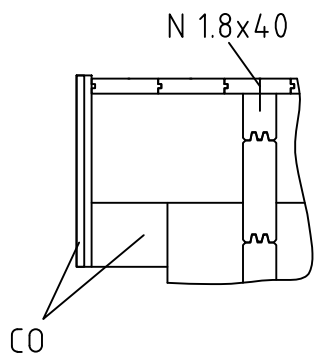
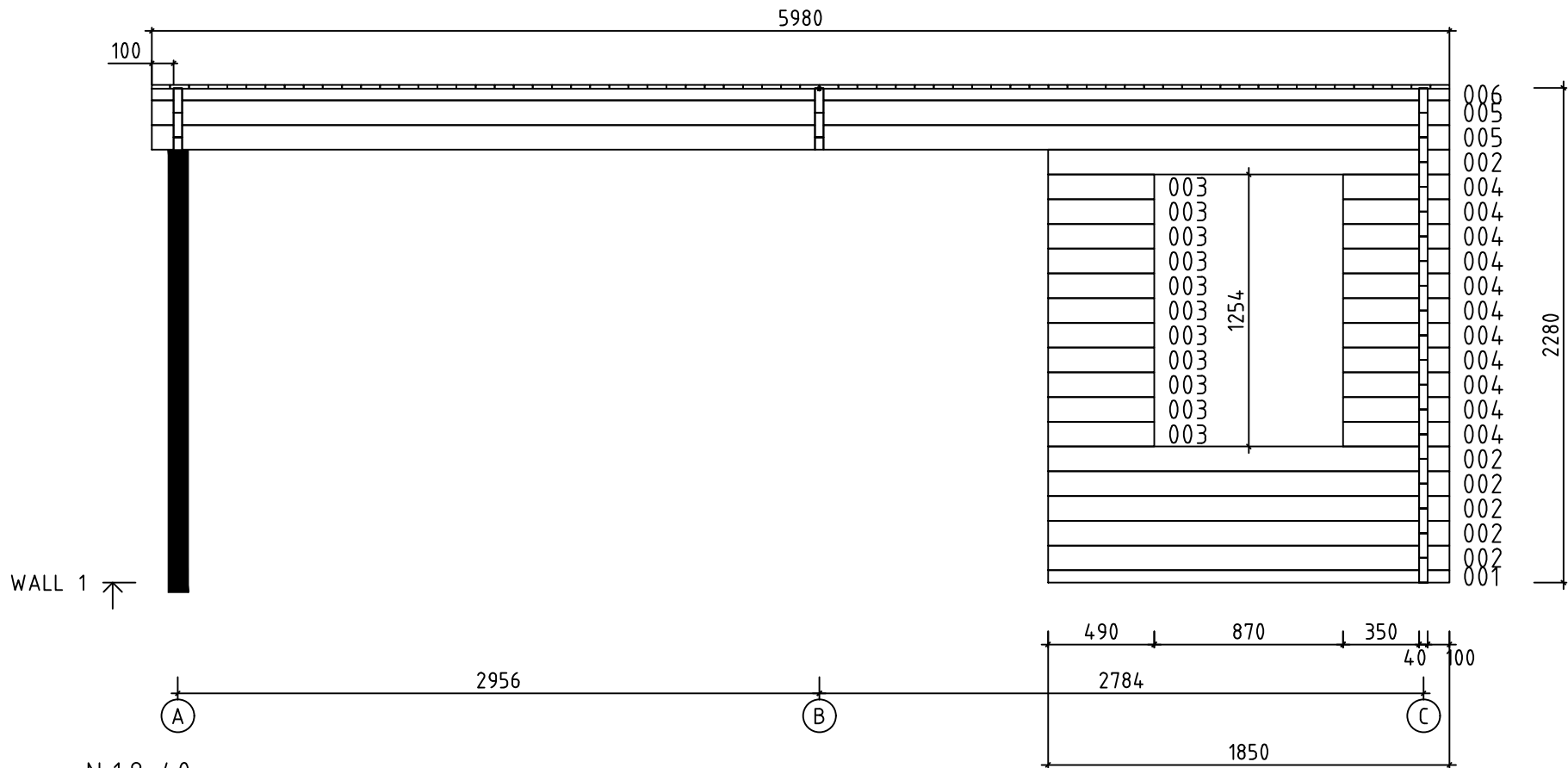


0 0.5m 1.0m 2.0m

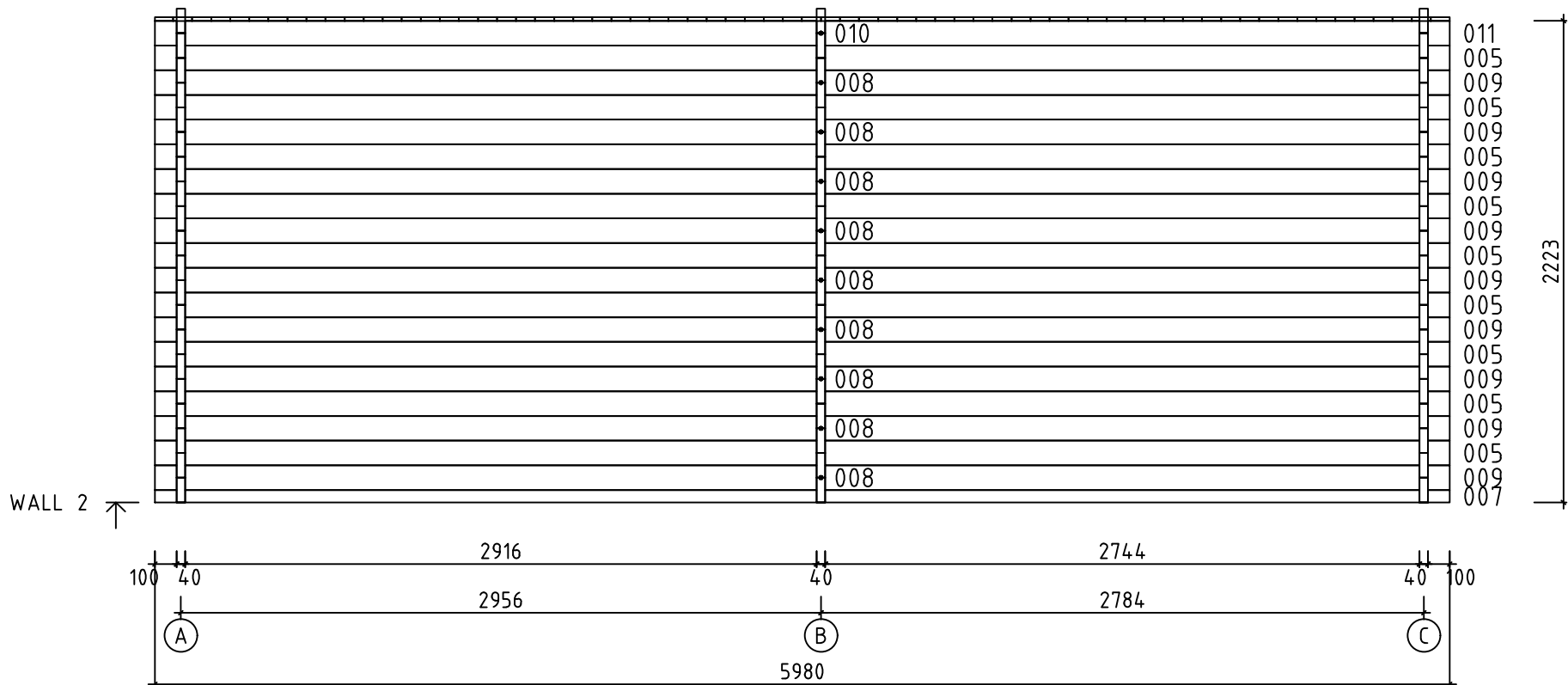
Model	Hanna 40	Drawing	WALL B	Page	3	
	Drawn by	J.S	Material	4x11.4	Scale	1:30
	Date	17.01.2024	File	Hanna 40.dwg		




Model	Hanna 40	Drawing	WALL C	Page	4	
	Drawn by	J.S	Material	4x11.4	Scale	1:30
	Date	17.01.2024	File	Hanna 40.dwg		



Model	Hanna 40	Drawing	WALL 1	Page	6
		Drawn by	J.S	Material	4x11.4
		Date	17.01.2024	File	Hanna 40.dwg
		Scale	1:30		



0 0.5m 1.0m 2.0m

Model	Hanna 40		Drawing	WALL 2		Page	7
	Drawn by	J.S	Material	4x11.4		Scale	1:30
	Date	17.01.2024	File	Hanna 40.dwg			