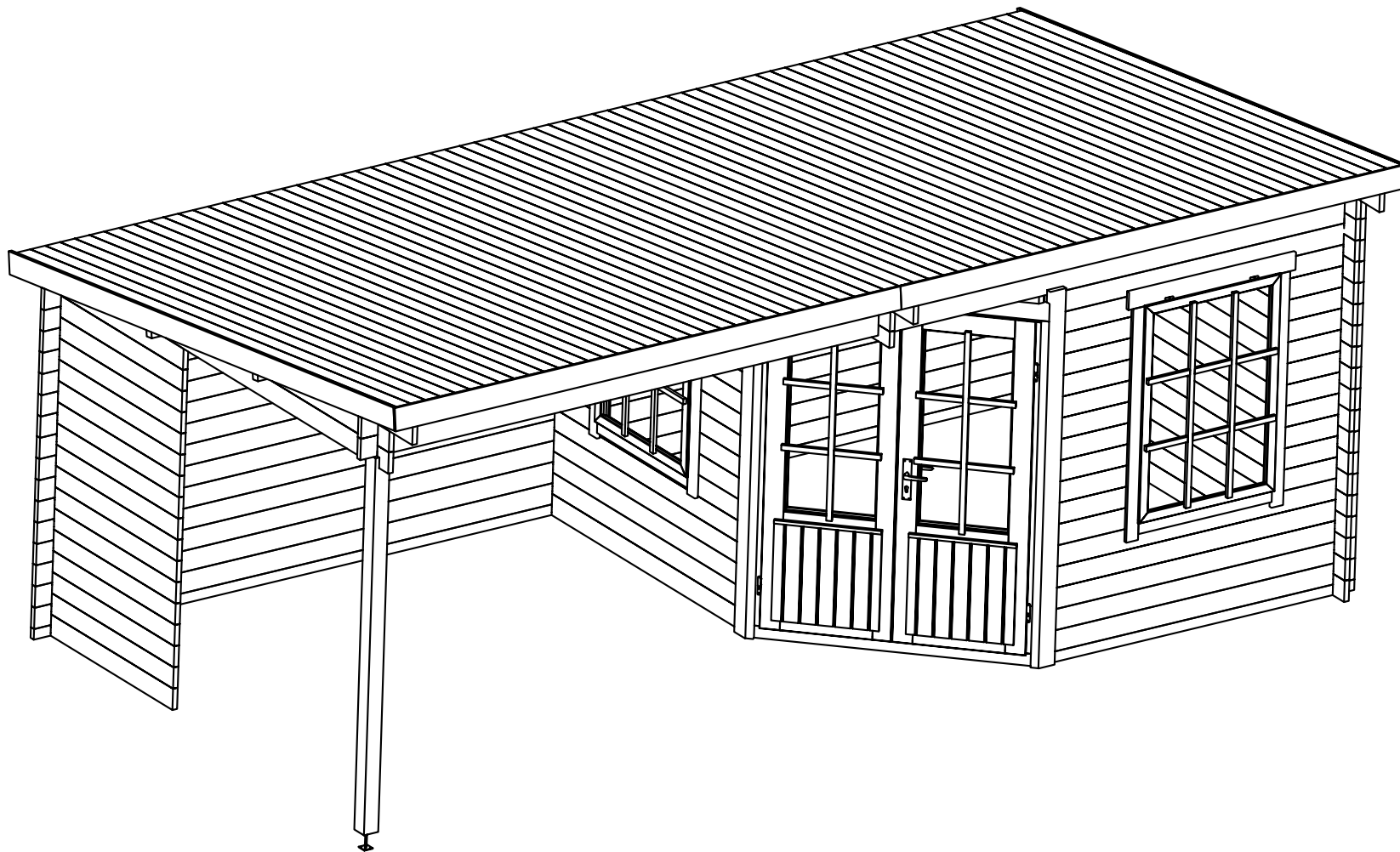
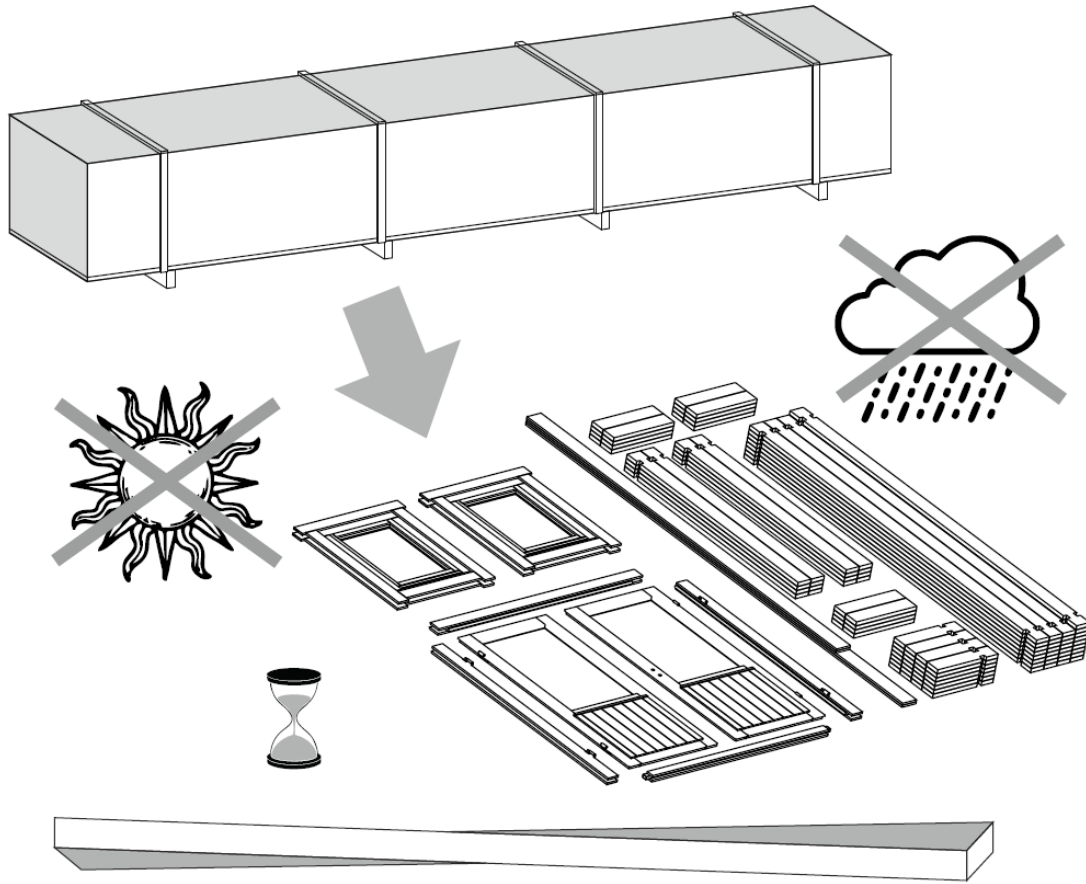
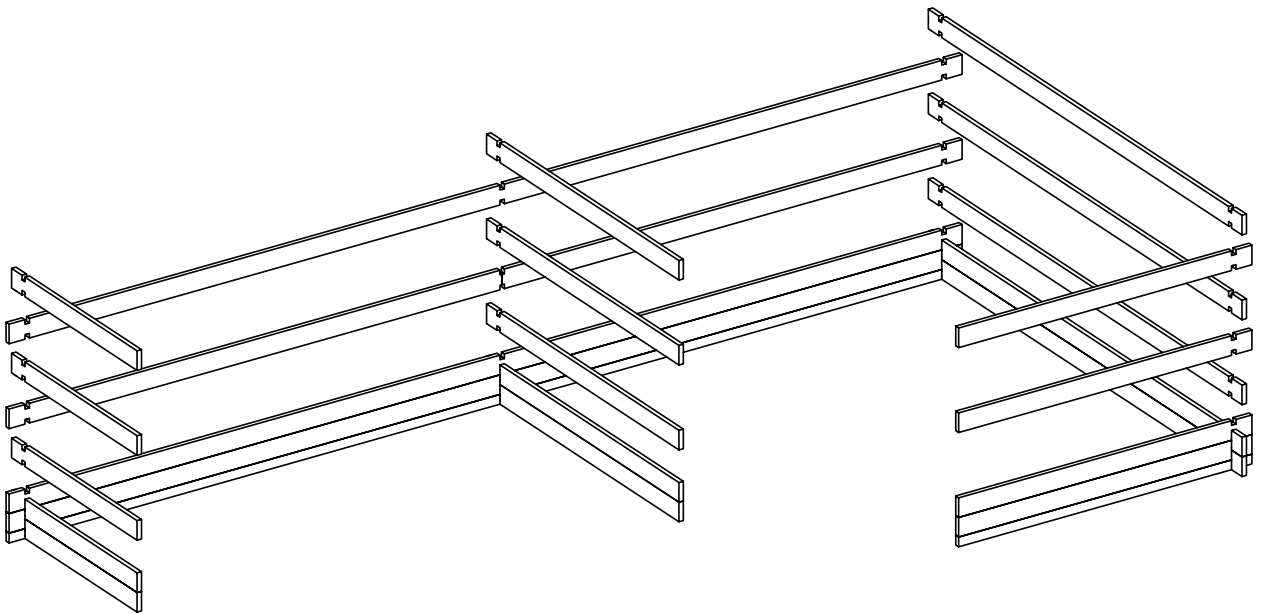
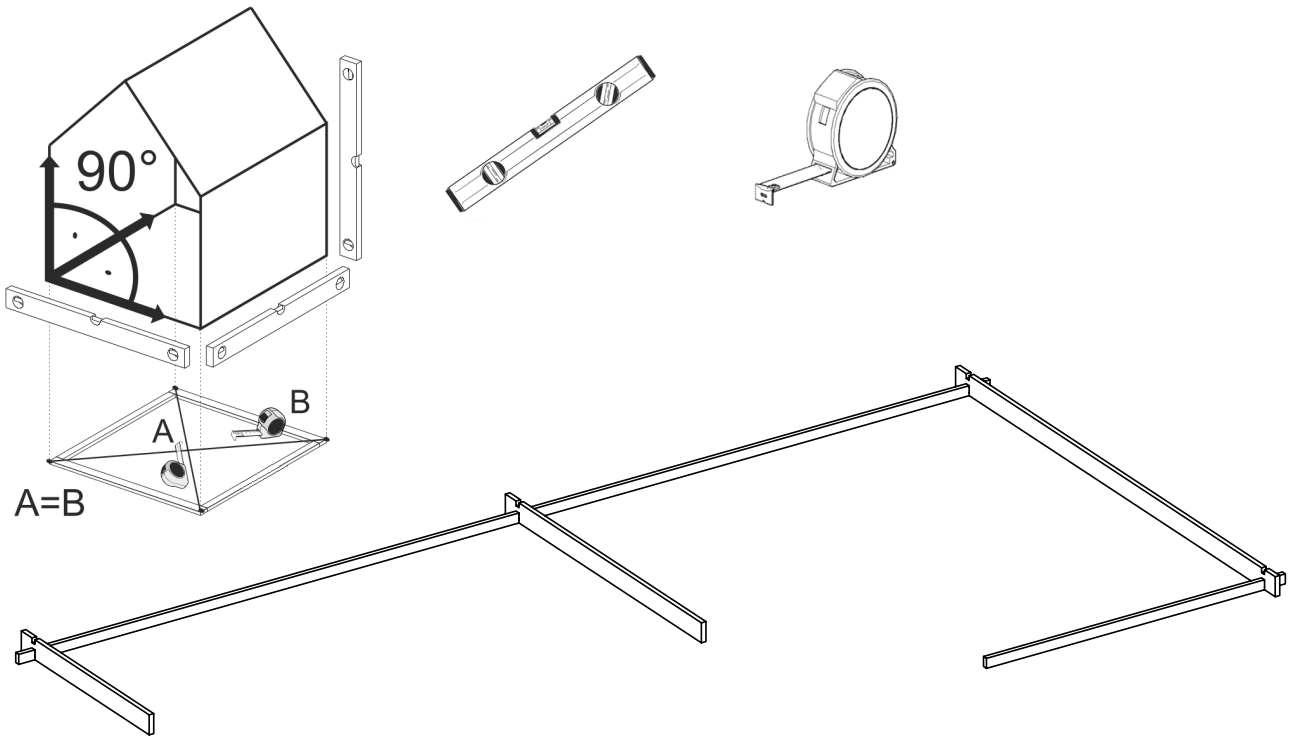


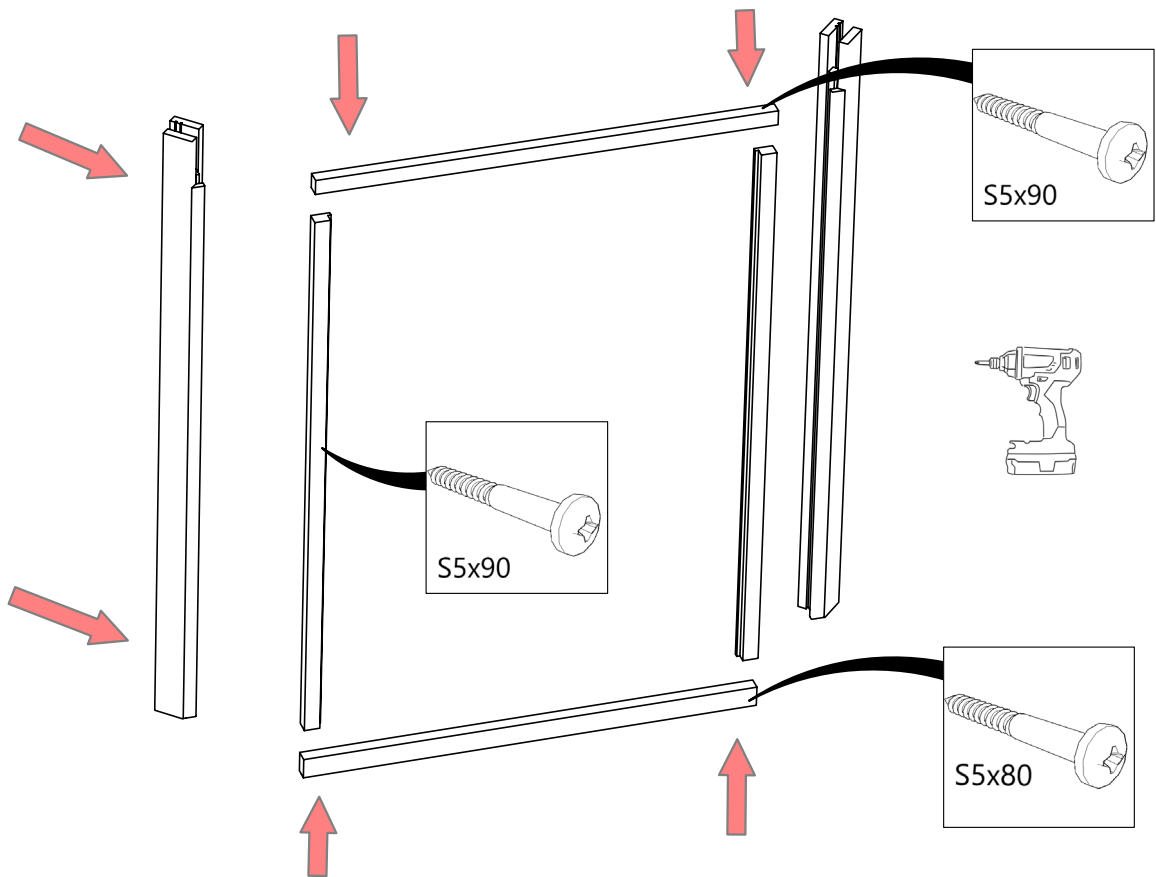
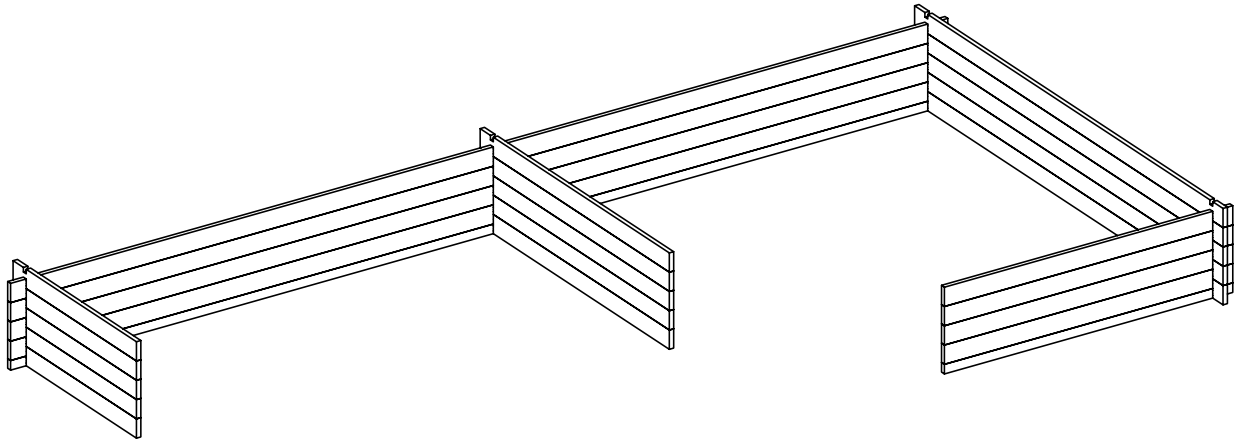
Alphol 



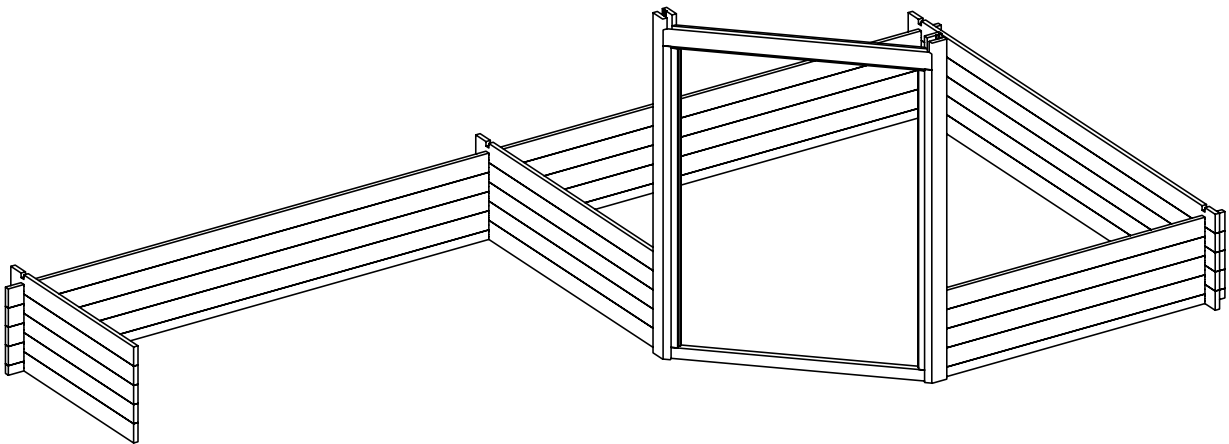
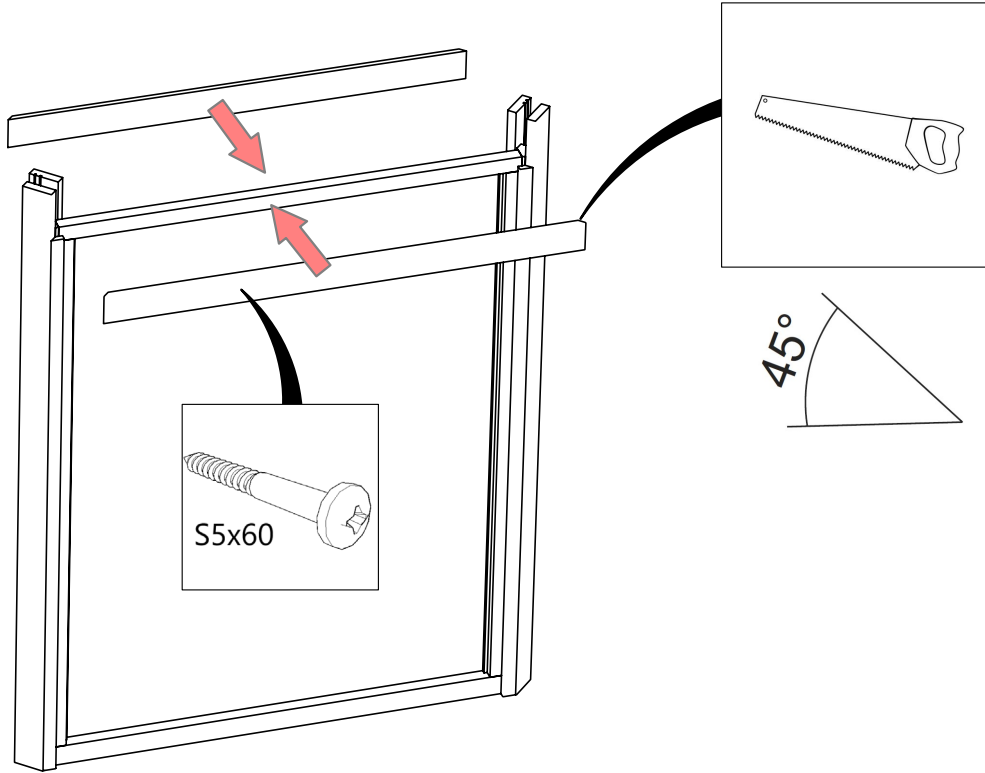
Carl 28

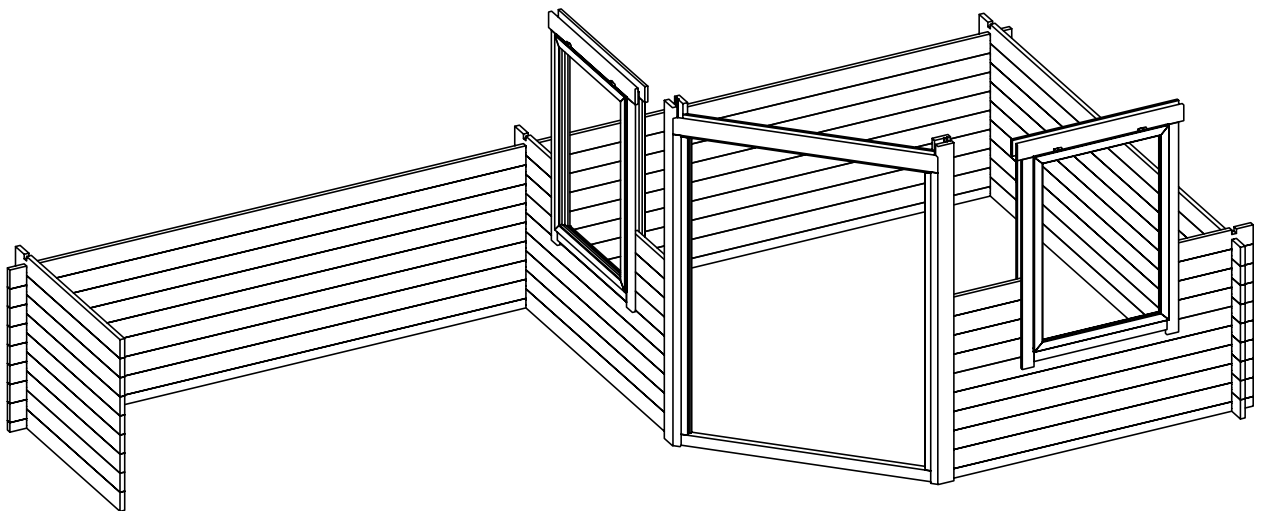
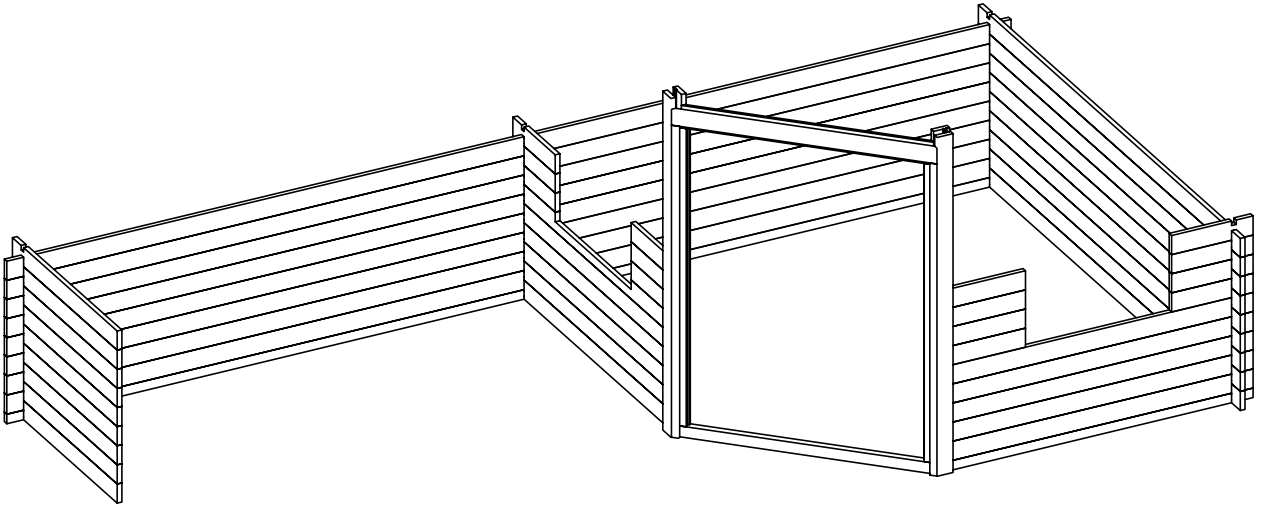


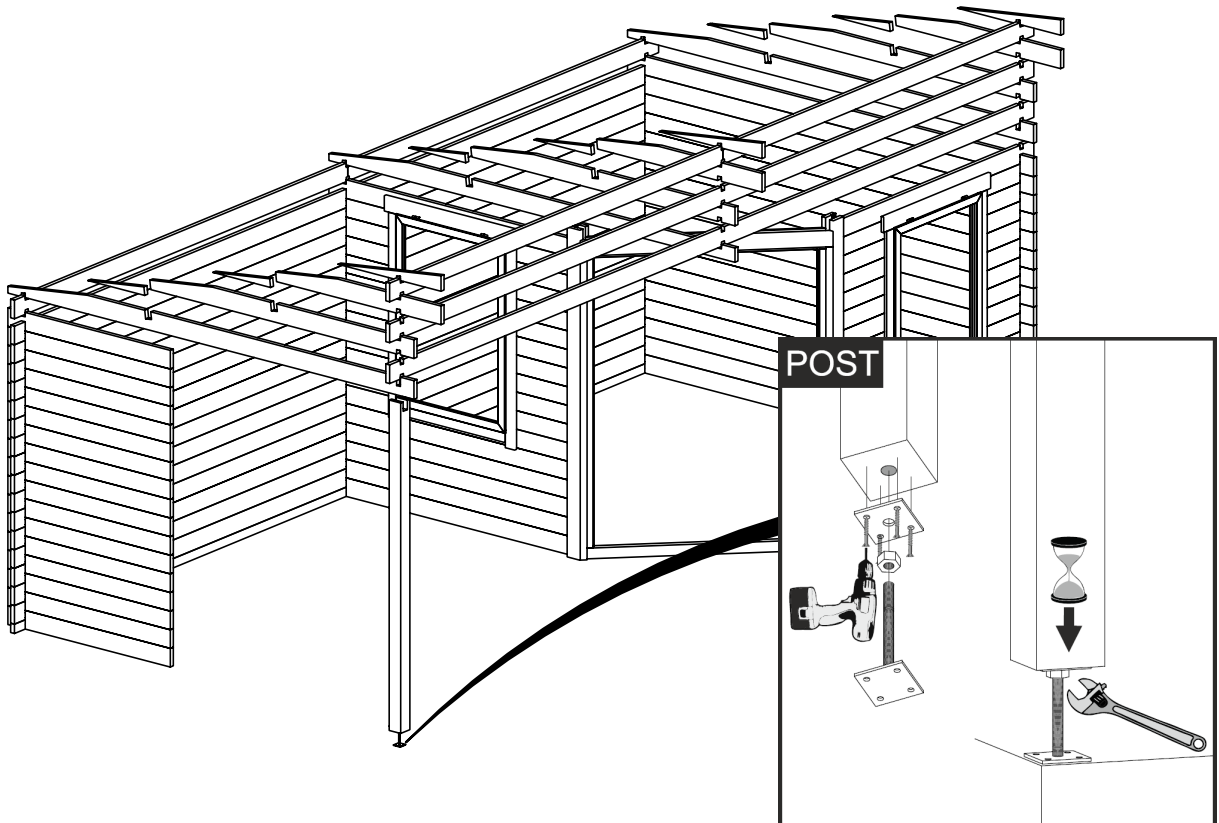
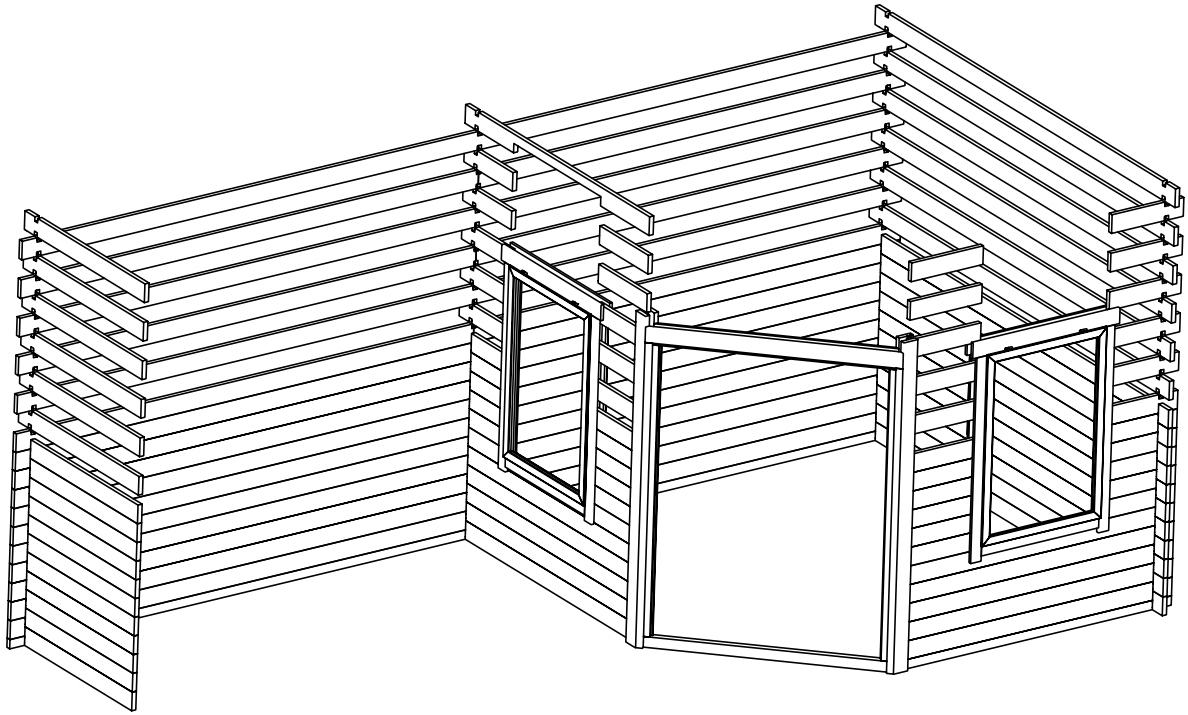


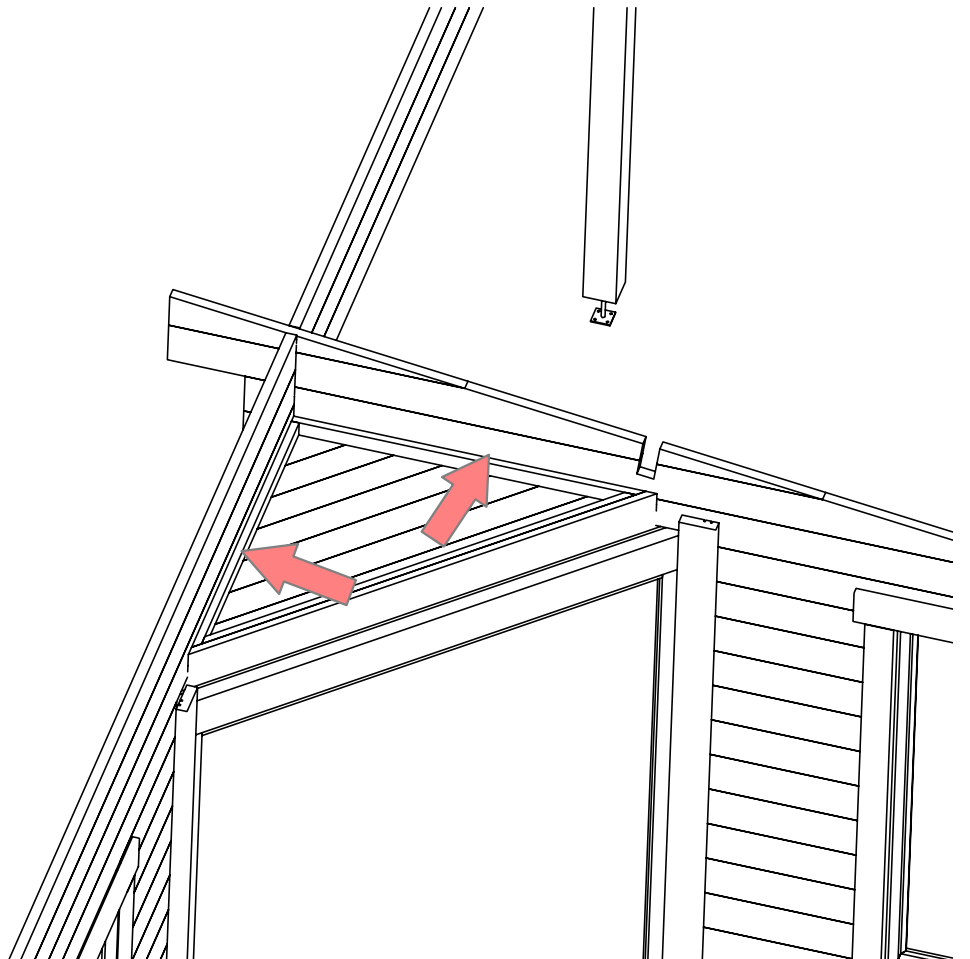
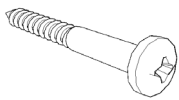
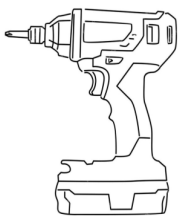
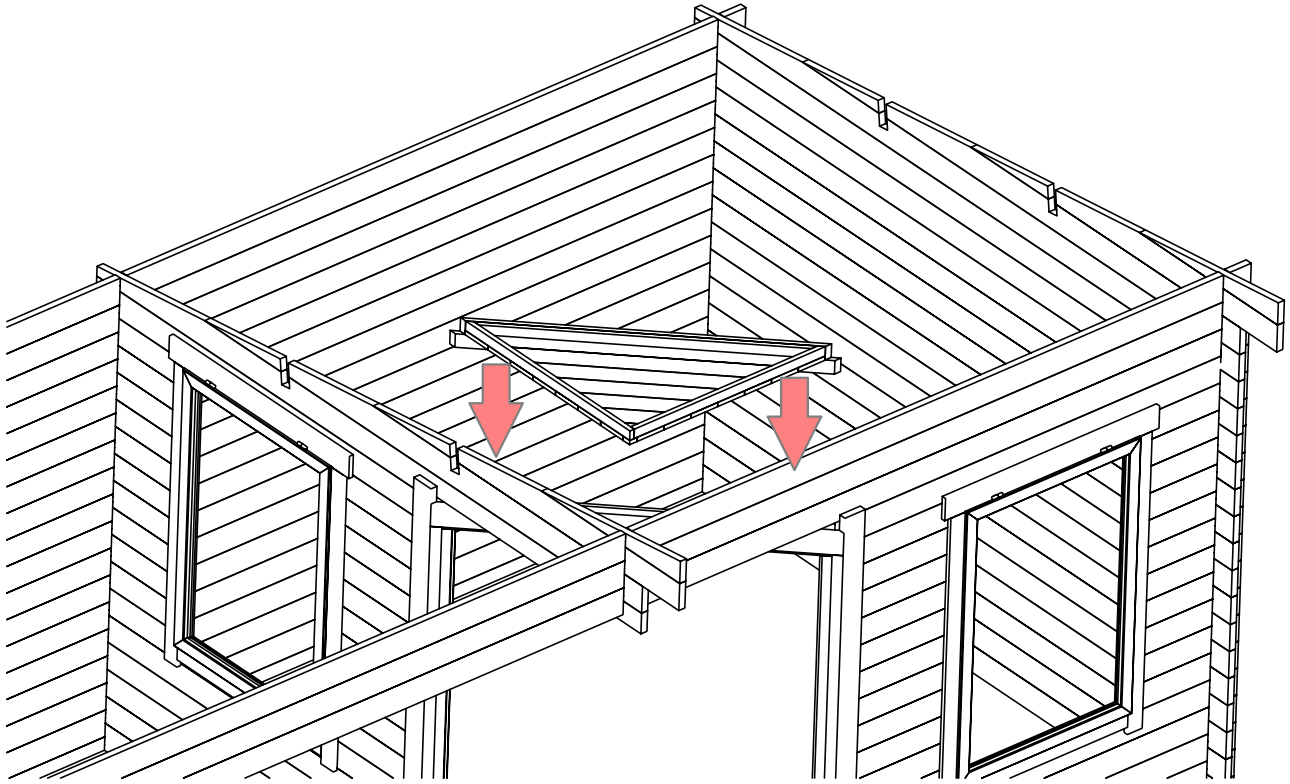


2

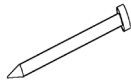
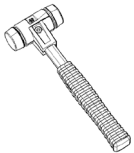
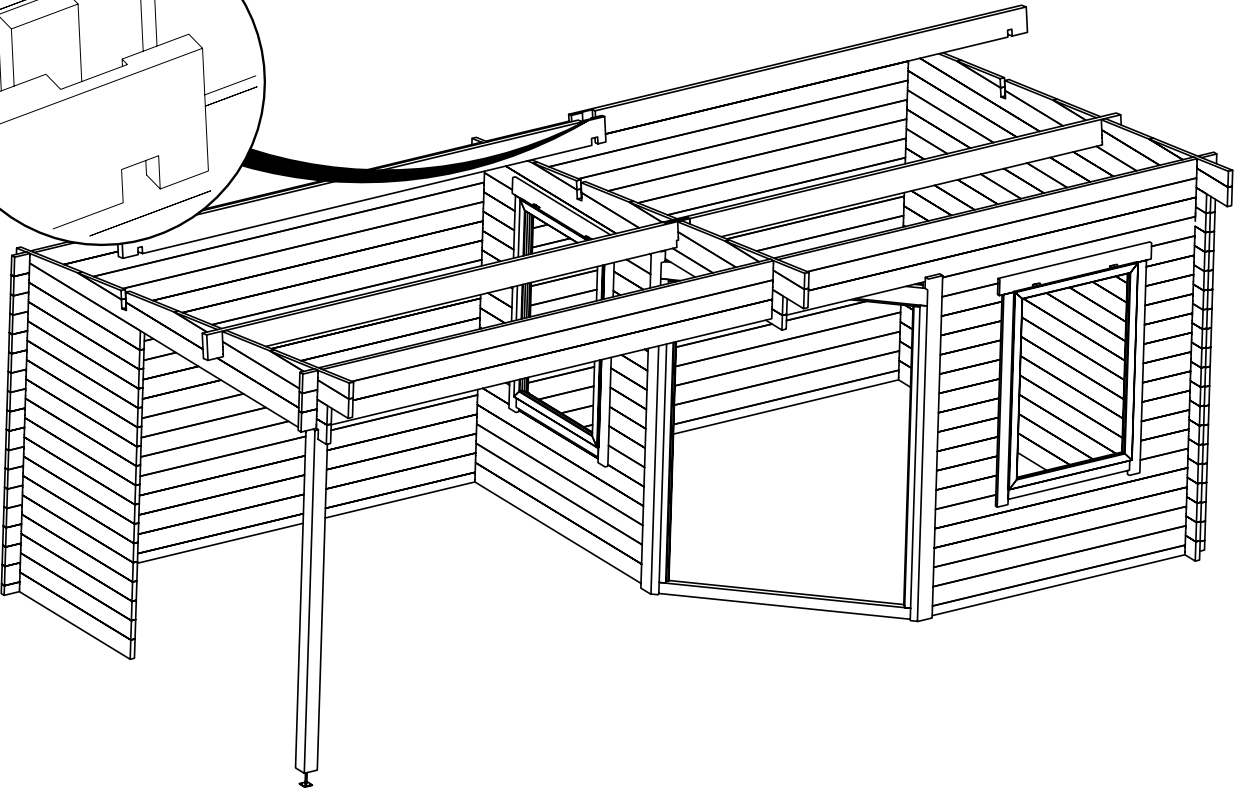
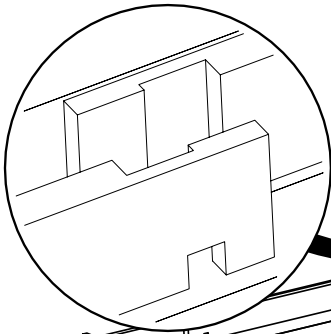




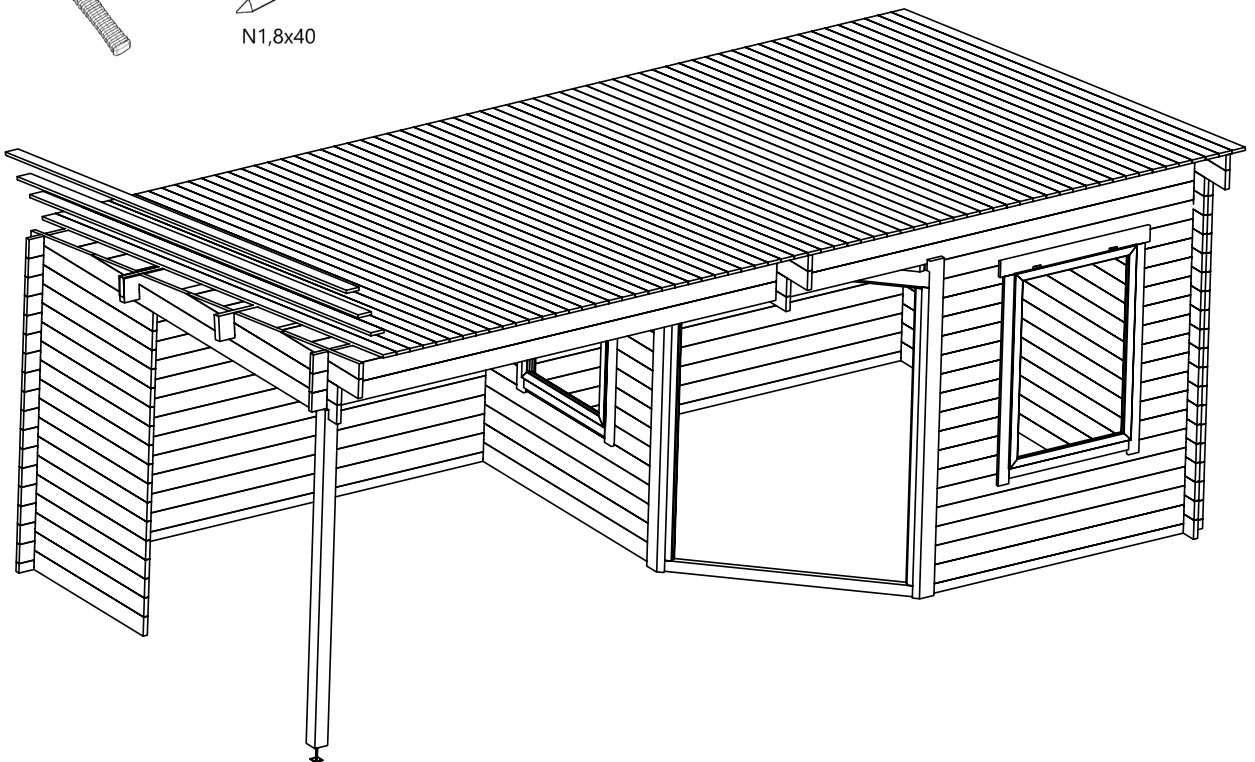


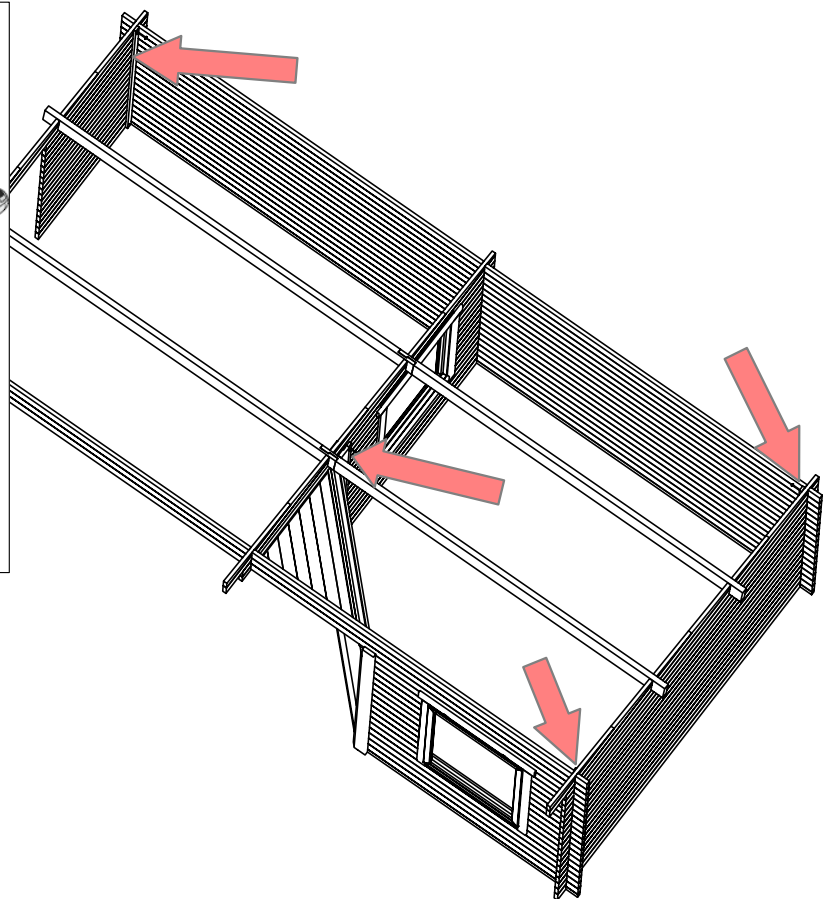
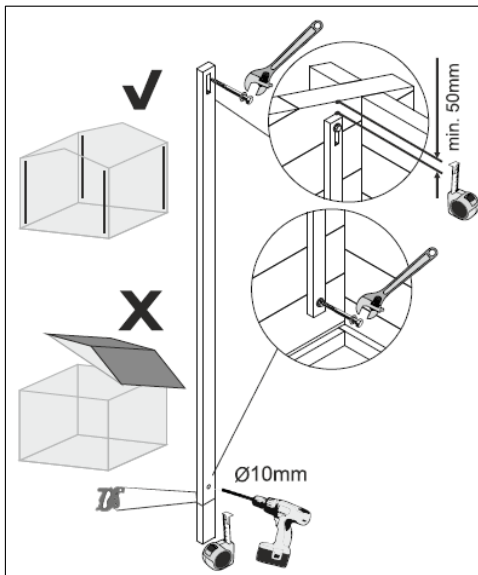
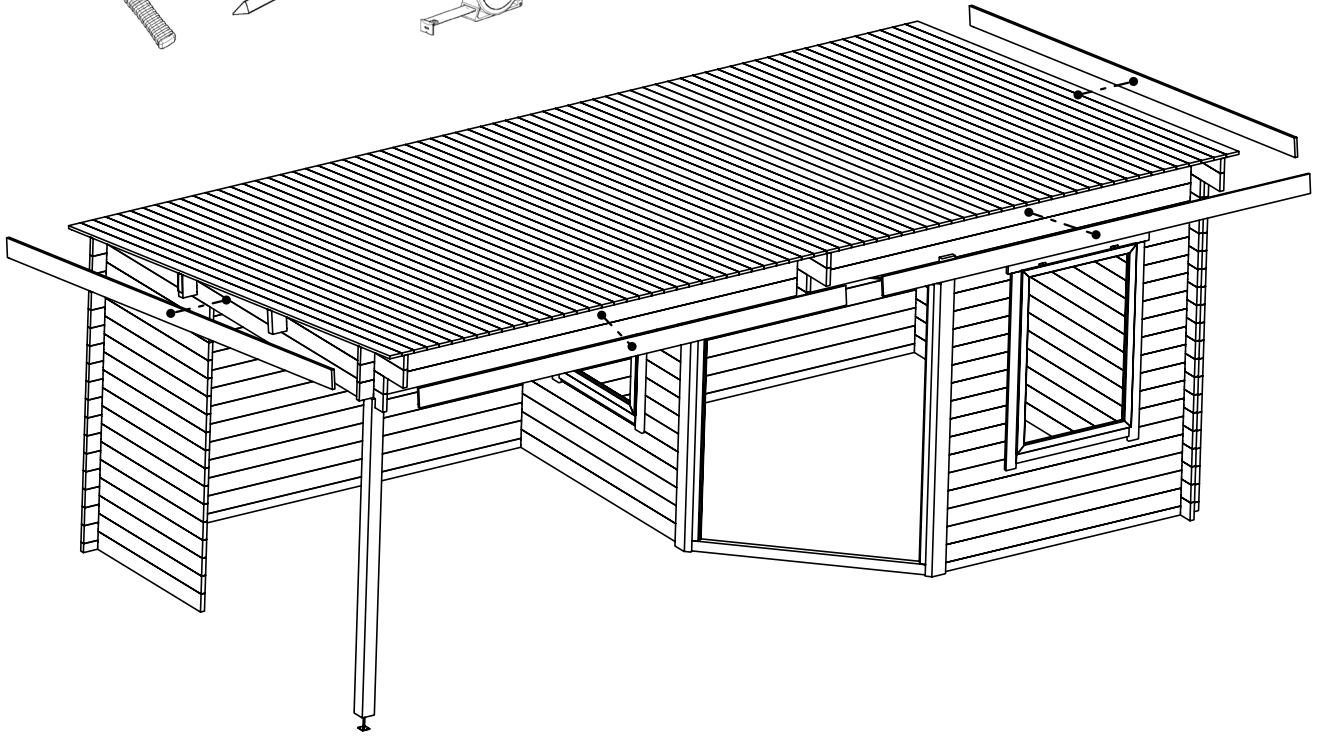
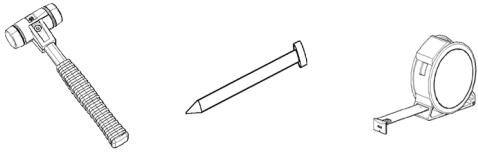


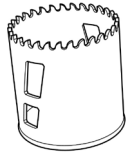
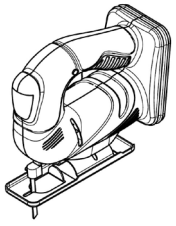




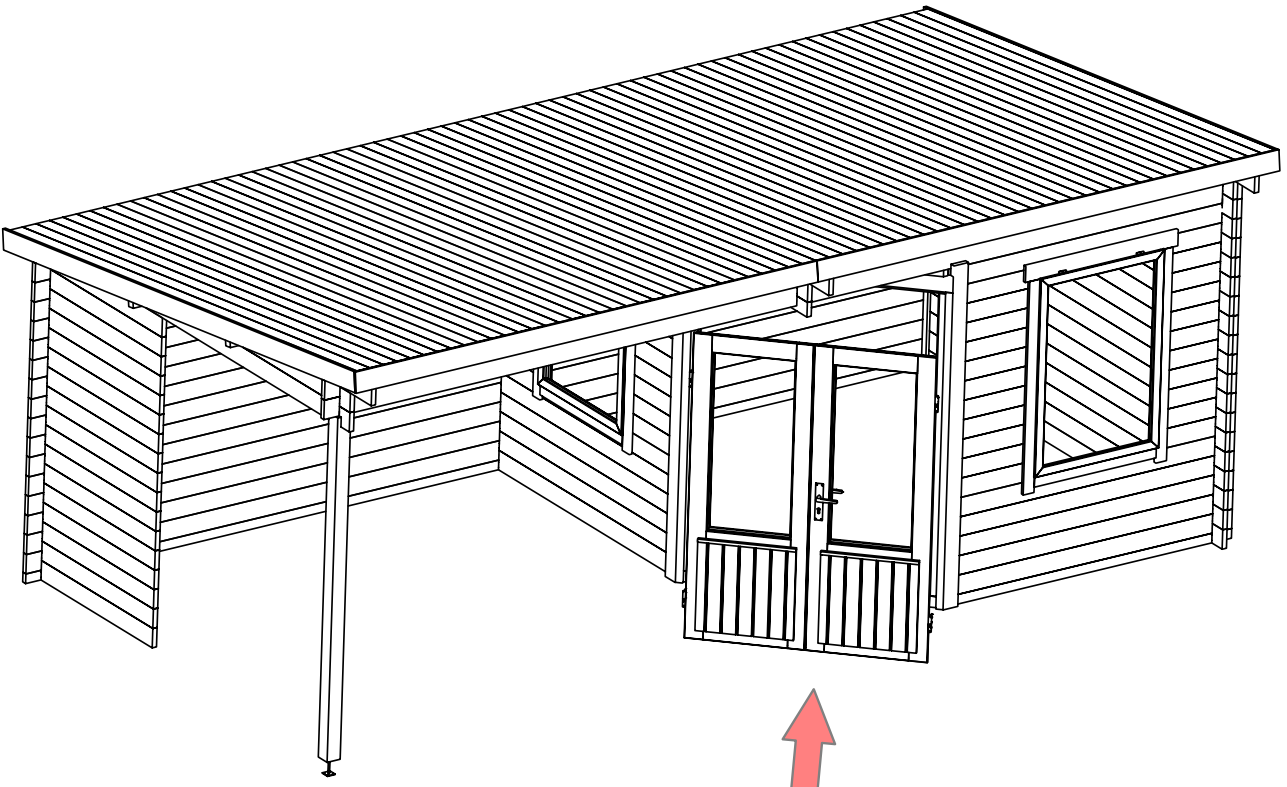
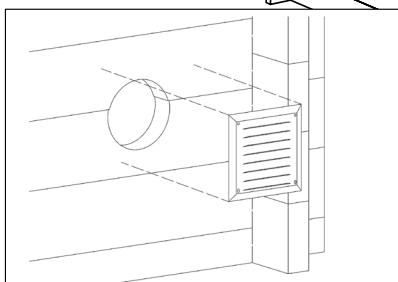
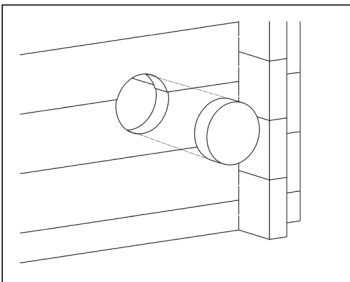
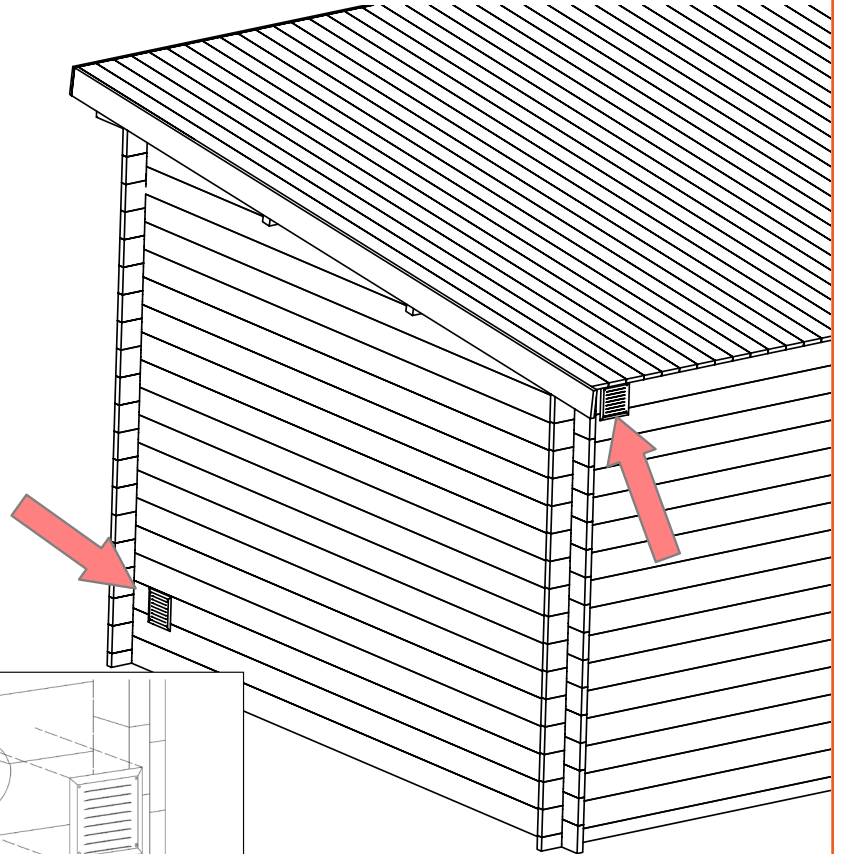
N1,8x40

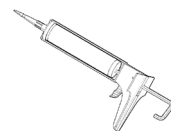
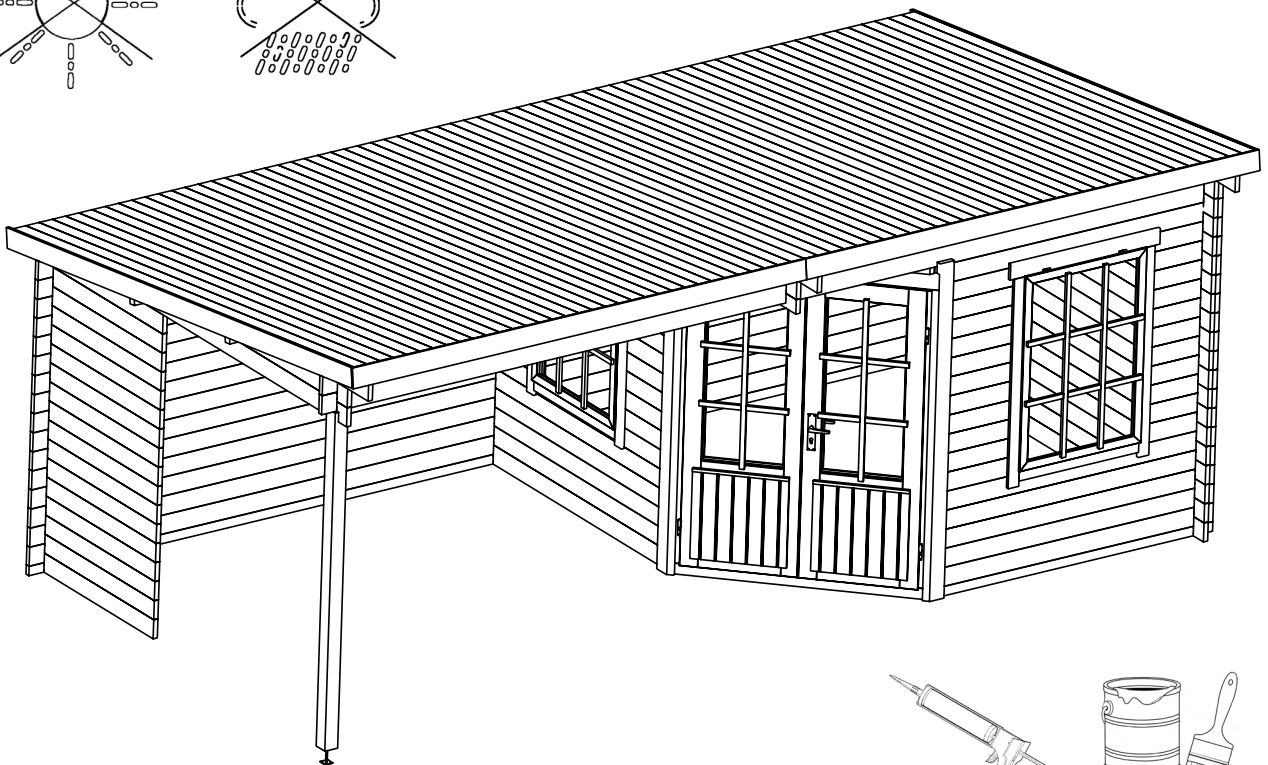
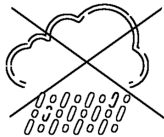
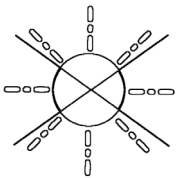
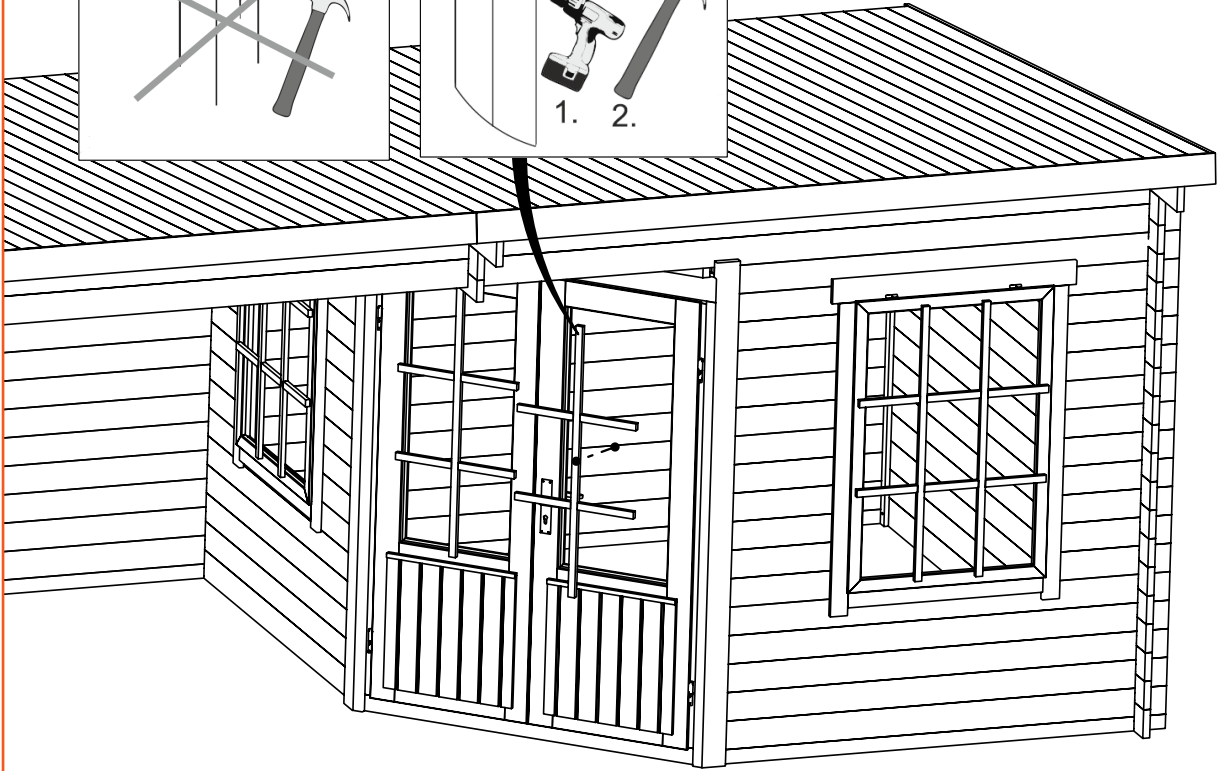
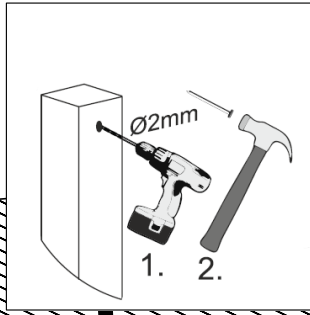
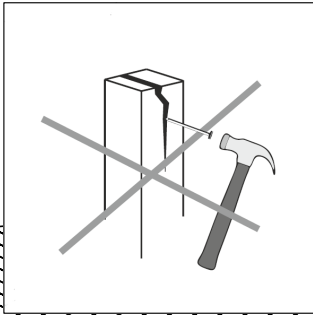


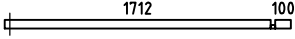
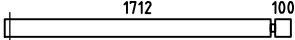
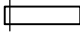
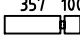
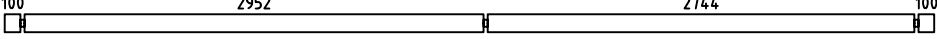
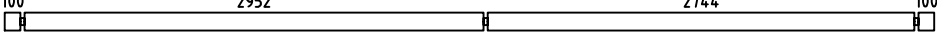
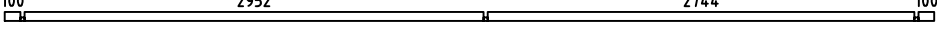
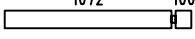
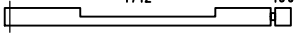
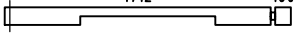
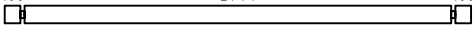
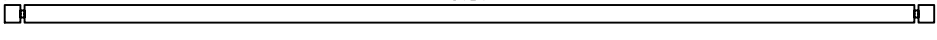
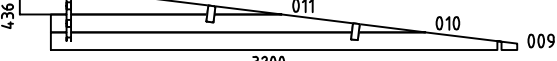
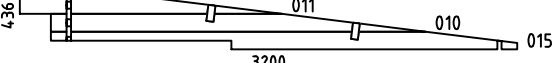
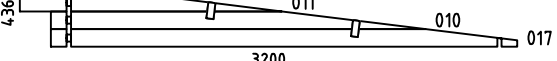
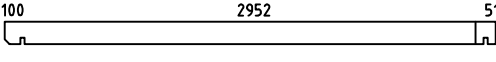
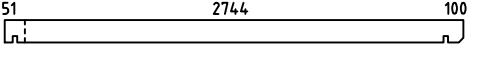
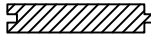
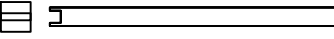


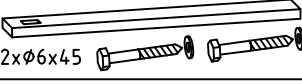





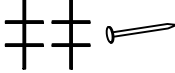
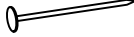

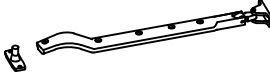
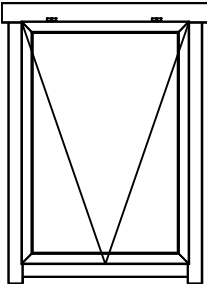
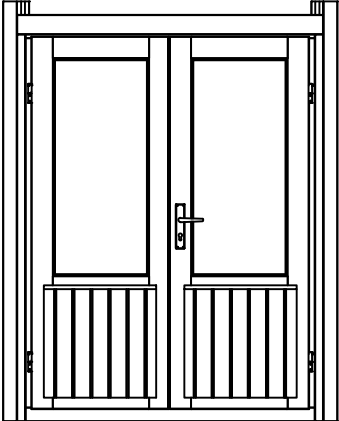


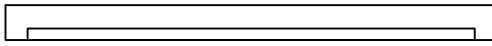
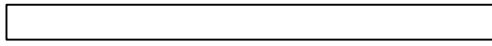
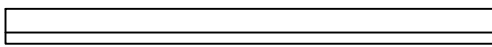
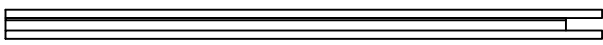
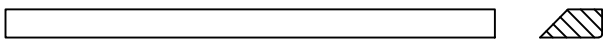
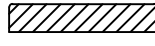


Ø ca 130mm



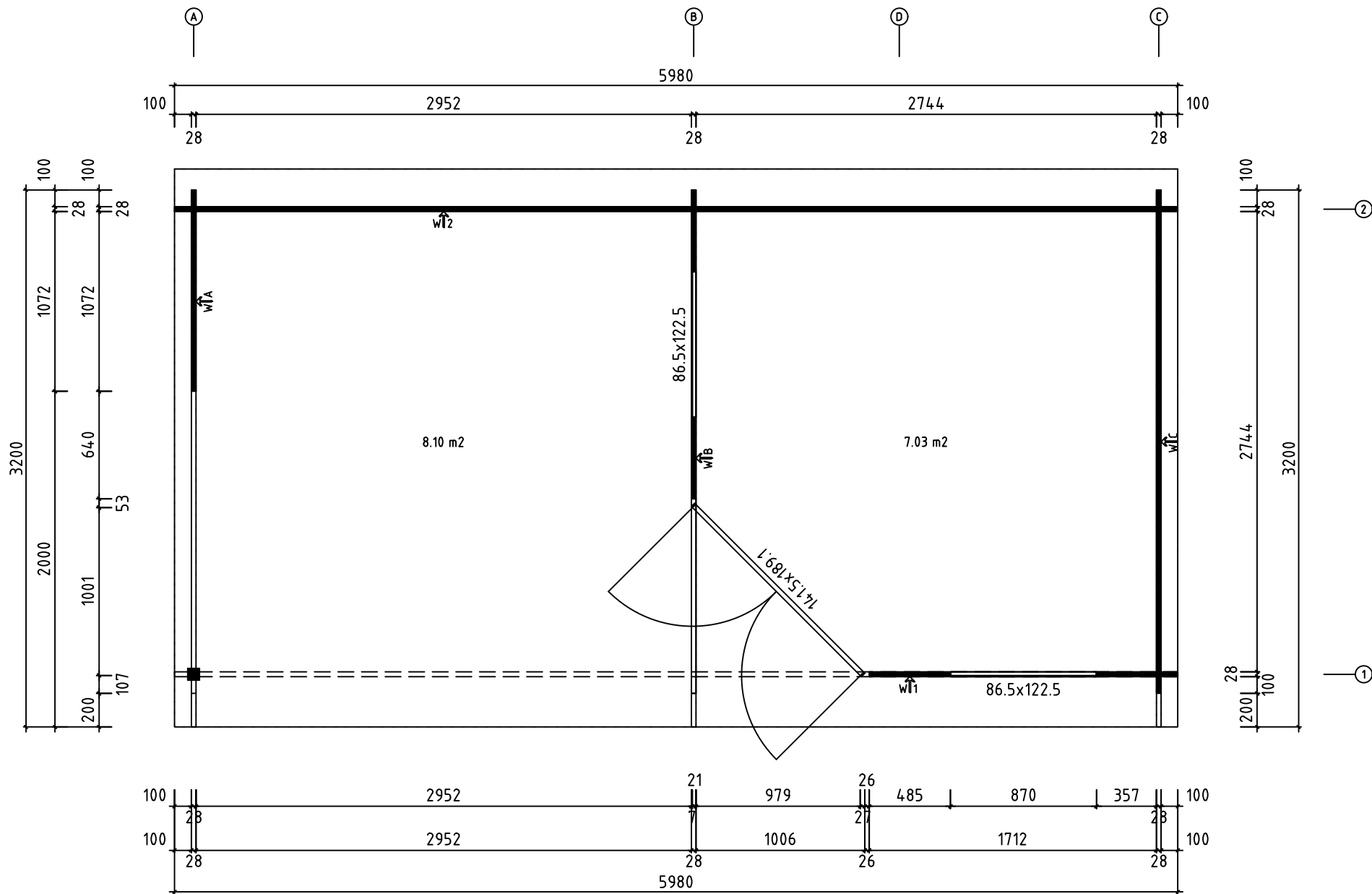


Pos	Specification-Spezifikation-Specificatie-Nomenclature-Elementi-Especificacion Carl 28	Qty	Profile (mm)	Lenght (mm)
001		1	28x57	1840
002		11	28x114	1840
003		21	28x114	485
004		21	28x114	485
005		18	28x114	5980
006		2	28x114	5980
007		1	28x57	5980
008		17	28x114	1200
013		1	28x114	1840
014		1	28x114	1840
016		17	28x114	3000
EXTRA		1	28x114	5980
WA-1		1		
WB-1		1		
WC-1		1		
PL1		2	44x144	3159
PL2		2	44x144	2951
R-1	Roof board-Dachbrett-Dakplank-Volige-Tavola tetto-Tabla de tejado 	68+1 53+1	88x18 114x18	3350
	-POST 8.5x8.5 	1	85x85	1985
GB-1	Gable board 120-Giebelblende-Gevelplank-Planche de rive-Tavola di bordo-Tabla de borde 	4	18x120	3008
GB-2	Gable board 120-Giebelblende-Gevelplank-Planche de rive-Tavola di bordo-Tabla de borde 	2	18x120	3390
SS-1	Storm slat kit-Sturmleiste satz-Stormanker set-Kit de latte anti tempête-Kit listello di tempesta-Kit liston anti tormenta 	4	18x40	2000
	Adjustable foot kit-Pfosten-träger-Paalhouder-Pied de poteau-Portapilastris-Base para poste 	1		
Model	Carl 28	Material	Page 1/3	

Pos	Specification-Spezifikation-Specificatie-Nomenclature-Elementi-Especificacion Carl 28	Qty	Profile (mm)	Lenght (mm)
CET1	Ceiling element 1-Deckenelement-Plafond element-Panneau de plafond-Pannello da soffitto-Panel de techo 	1	931x1316	
	Double door kit-Doppeltür satz-Dubbele deur set-Kit double porte-Kit porta-Kit para puerta 	1		
	Nail 1.6x30-Nagel-Spijker-Clou-Chiodo-Clavo 	35	1.6x30	
	Nail 1.8x40-Nagel-Spijker-Clou-Chiodo-Clavo 	300	1.8x40	
	Ventilation panel kit-Außengitter-Schoepenrooster-Panneau de ventilation-Griglia di ventilazione-Rejilla de ventilacion 	1		
	Window stay-Fensterfeststeller-Raamuitzetter-Limiteur d'ouverture fenêtre-Vento bretelle-Soporte de ventana 	2		
	WINDOW 865x1225 W0-9N 865x1225-28 	2		
	DOOR 1415x1891 DD06-6P 1415x1891-28 	1		
Model	Carl 28	Material	Page	2/3

Pos	Specification-Spezifikation-Specificatie-Nomenclature-Elementi-Especificacion Carl 28	Qty	Profile (mm)	Lenght (mm)
	CORNER DOOR SET			
1	Top Jamb 	1	58x42	1415
2	Threshold 	1	58x42	1415
3-4	Vertical Jamb 	2	58x42	1781
5-6	Post Set 	1+1	42x61	2020
7-8	Cover Slat 	2	40x18	1860
9-10	Casting 	2	18x95	1500
S4x60	Screw 4x60-Schraube-Schroef-Vis-Vite-Tornillo 	16	4x60	
S5x90	Screw 5x90-Schraube-Schroef-Vis-Vite-Tornillo 	16	5x90	
Model	Carl 28	Material	Page	3/3

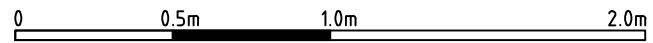
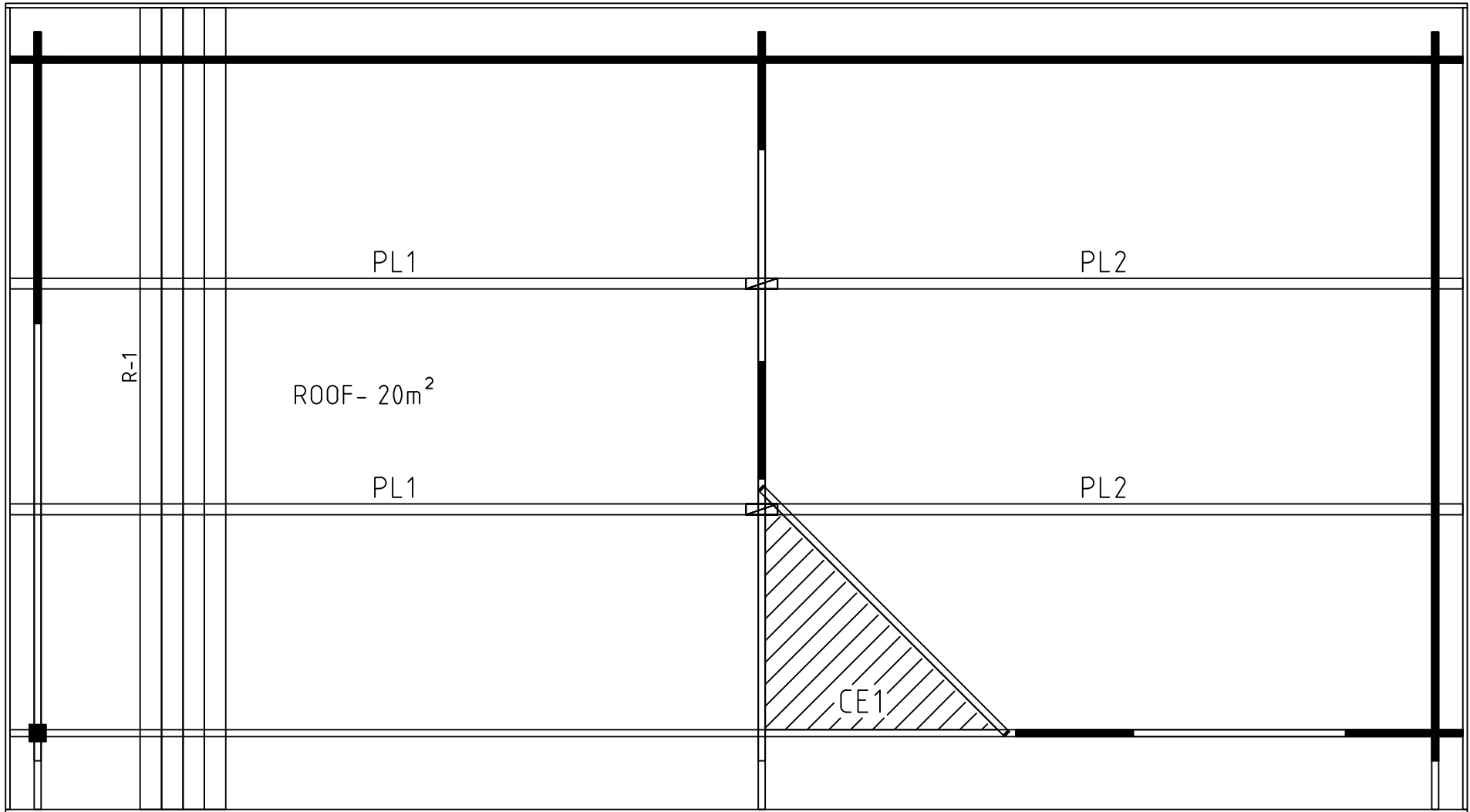
H = 1.600 m  
TOTAL: 15.13 m<sup>2</sup>




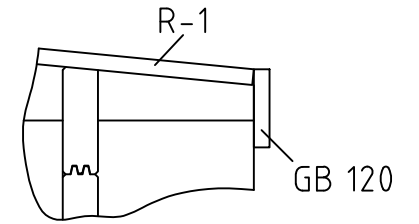
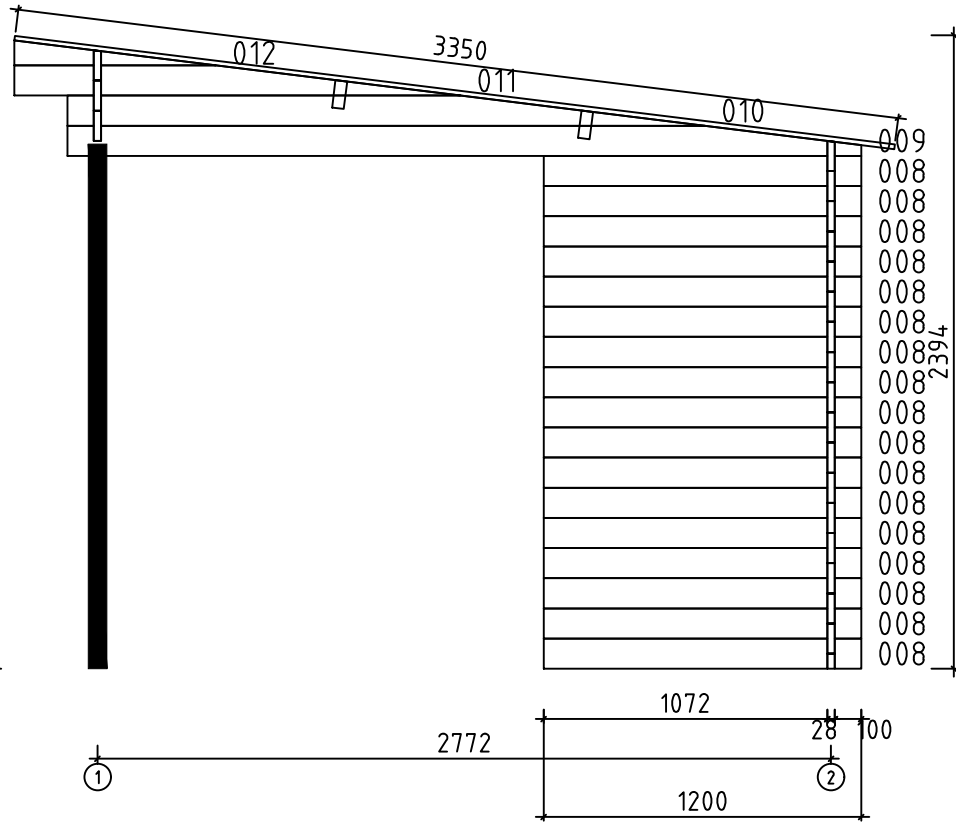
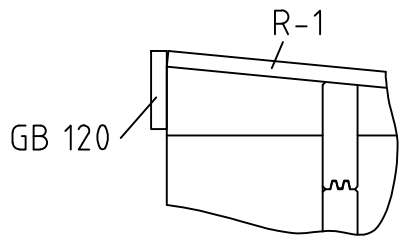
0 0.5m 1.0m 2.0m

Model	Carl 28	Drawing	PLAN	Page	
		Drawn by	J.S	Material	28x114
		Date	06.12.2023	File	Carl 28.dwg
		Scale	1:20		

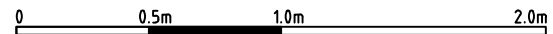




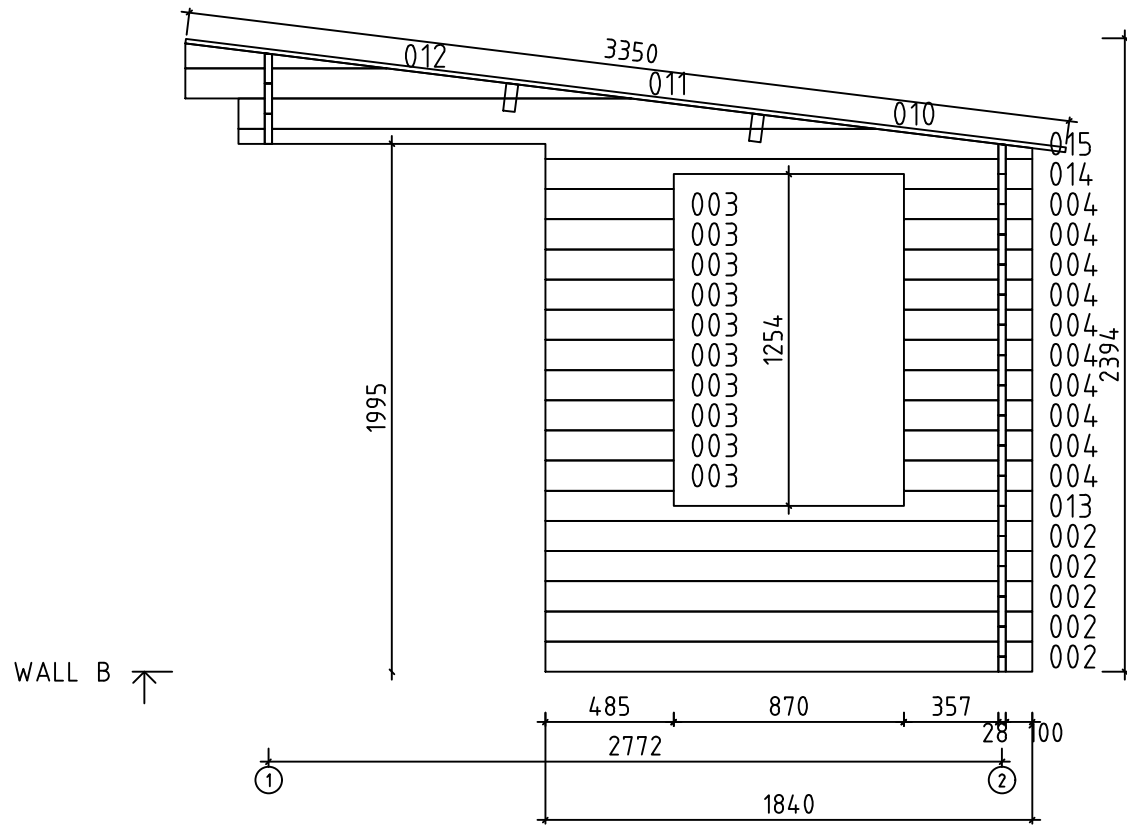
Model	Carl 28	Drawing	ROOF	Page			
		Drawn by	J.S	Material	28x114	Scale	1:20
		Date	06.12.2023	File	Carl 28.dwg		



WALL A ↑




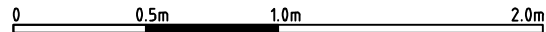
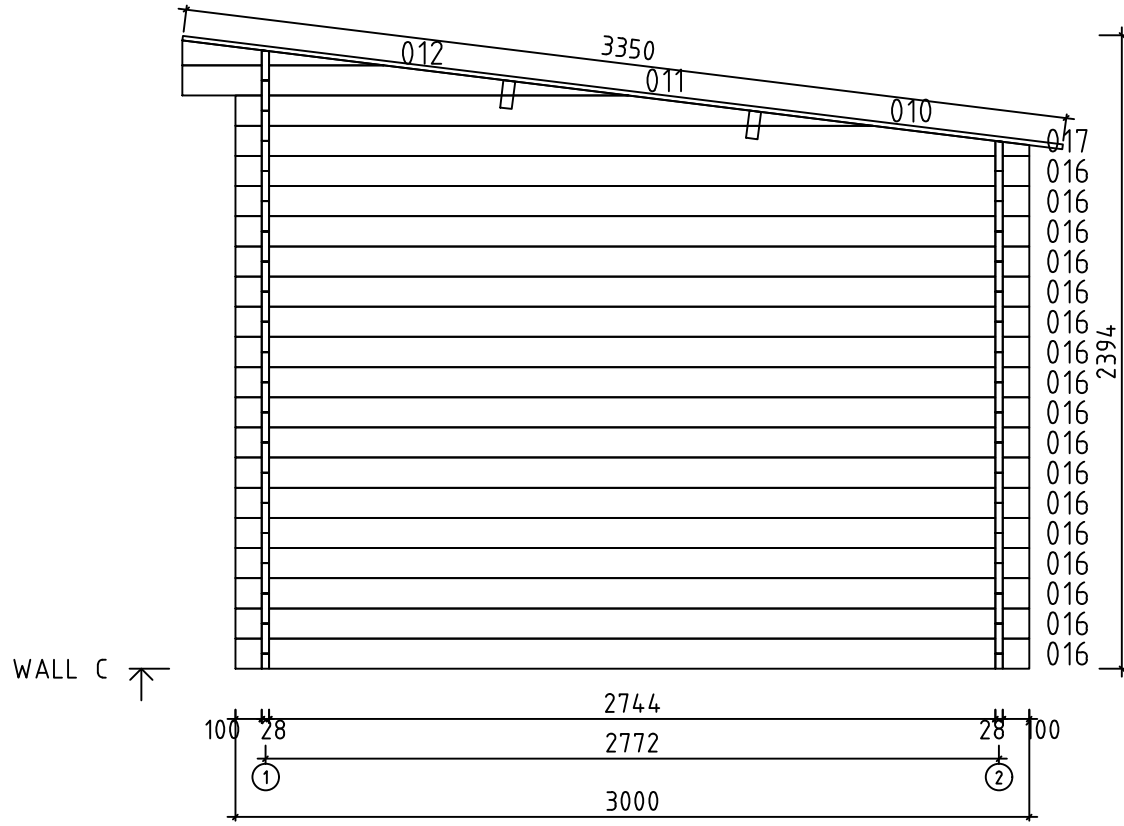
Model	Carl 28	Drawing	WALL A	Page	2
		Drawn by	J.S	Material	2.8x11.4
		Date	06.12.2023	File	Carl 28.dwg
		Scale	1:20		




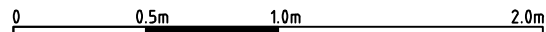
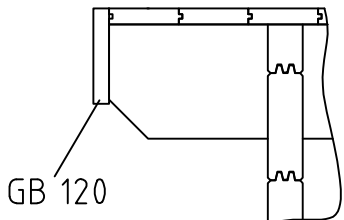
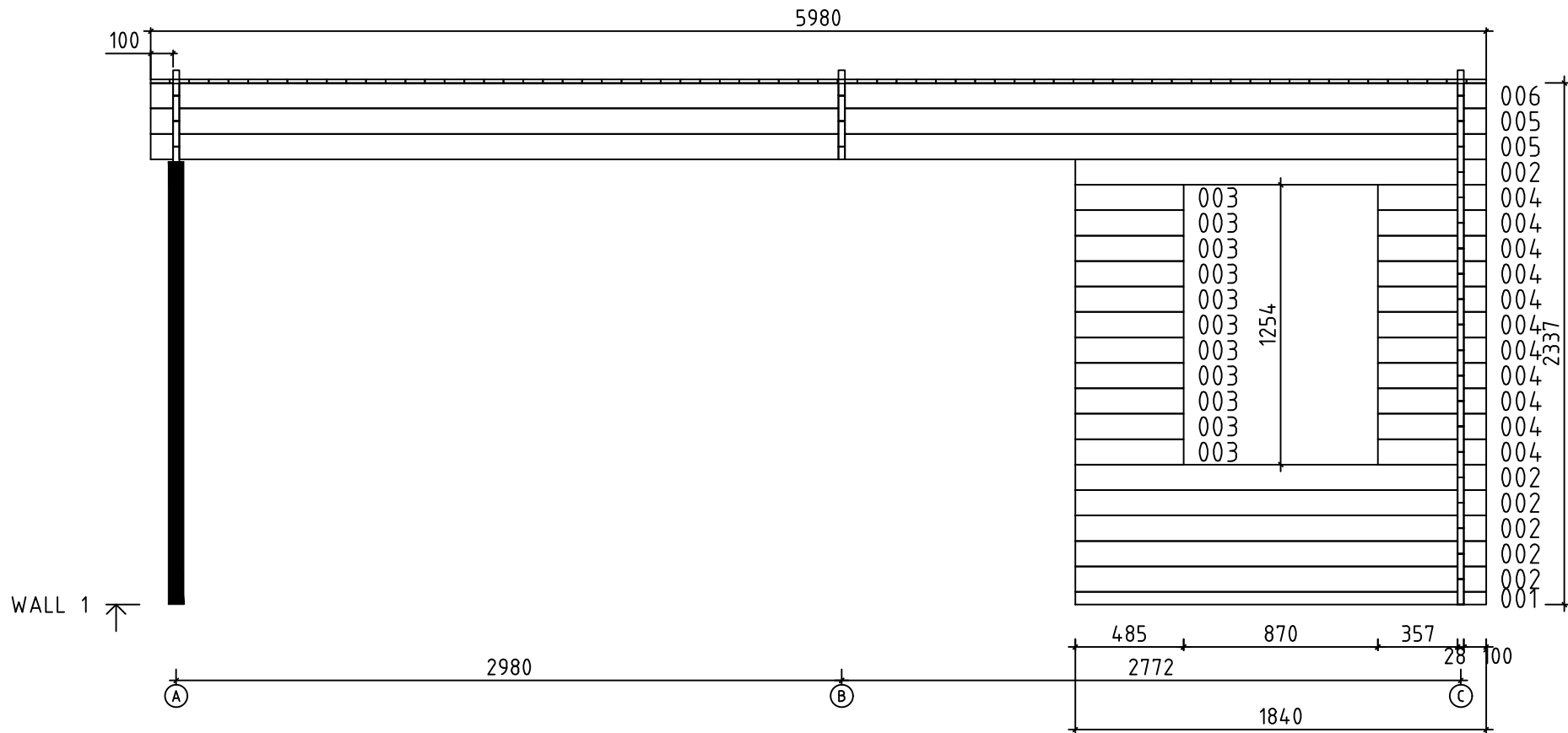
WALL B ↑

0 0.5m 1.0m 2.0m

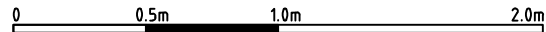
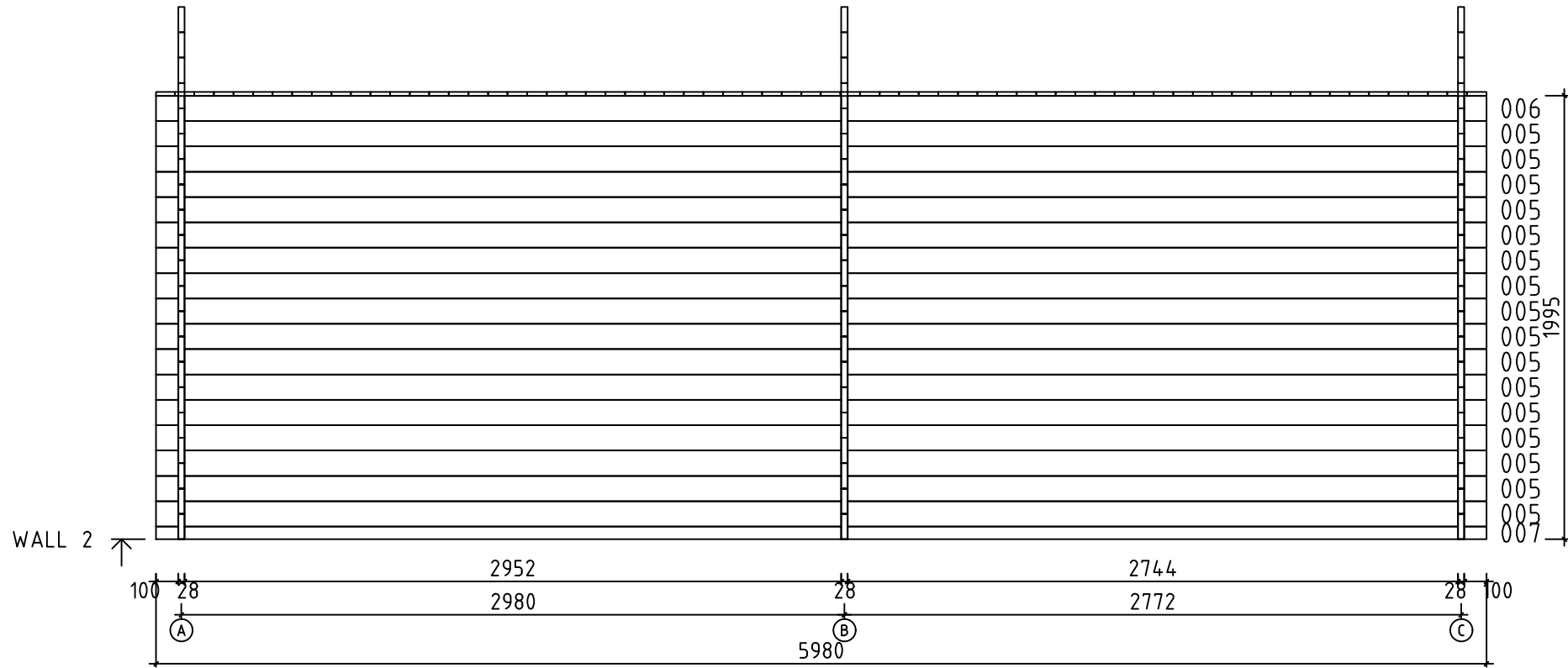
Model	Carl 28	Drawing	WALL B	Page	3
		Drawn by	J.S	Material	2.8x11.4
		Date	06.12.2023	File	Carl 28.dwg
		Scale	1:20		



Model	Carl 28	Drawing	WALL C	Page	4
		Drawn by	J.S	Material	2.8x11.4
		Date	06.12.2023	File	Carl 28.dwg
		Scale	1:20		



Model	Carl 28	Drawing	WALL 1	Page	7
		Drawn by	J.S	Material	2.8x11.4
		Date	06.12.2023	File	Carl 28.dwg
		Scale	1:20		



Model	Carl 28	Drawing	WALL 2	Page	8	
	Drawn by	J.S	Material	2.8x11.4	Scale	1:20
	Date	06.12.2023	File	Carl 28.dwg		