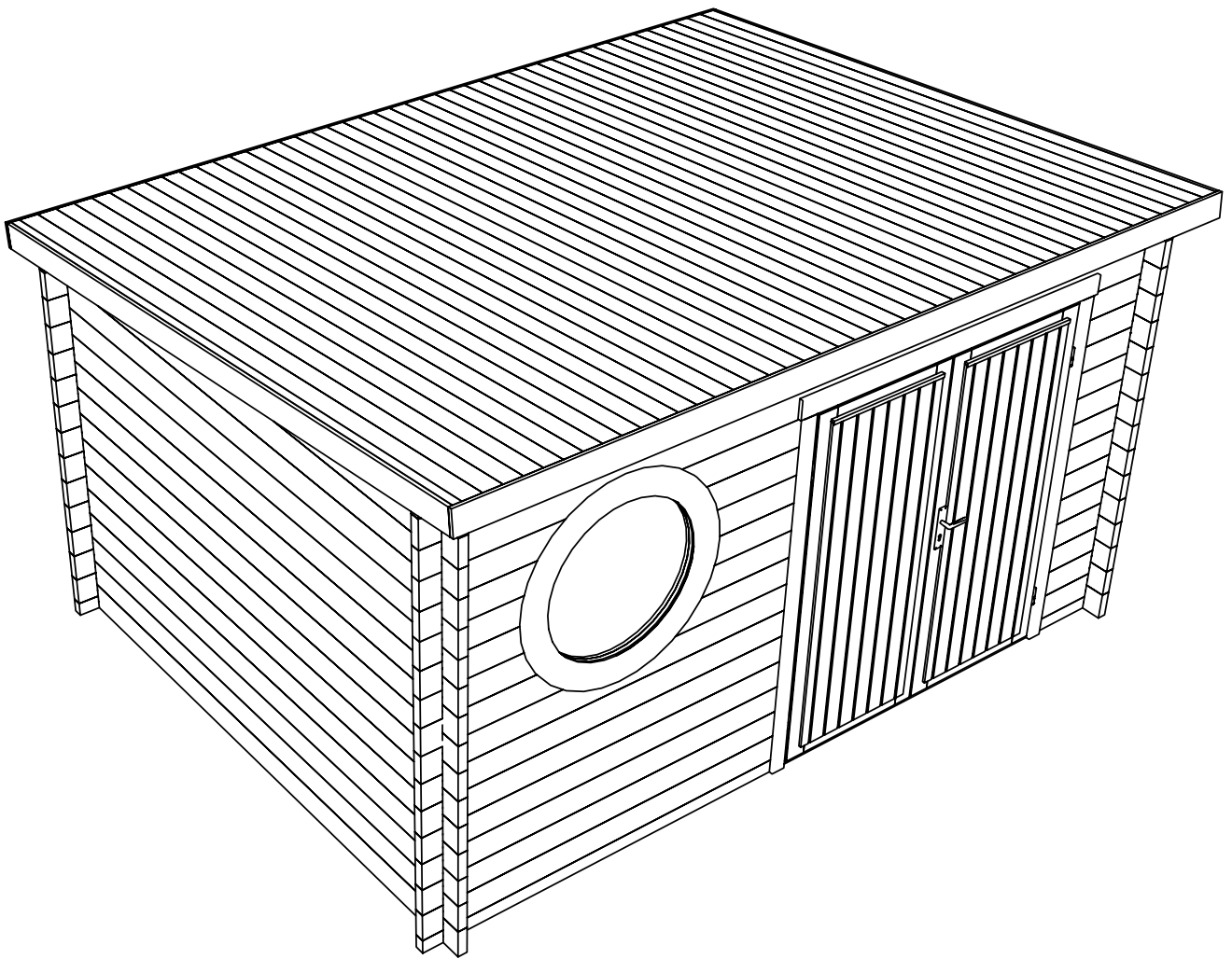
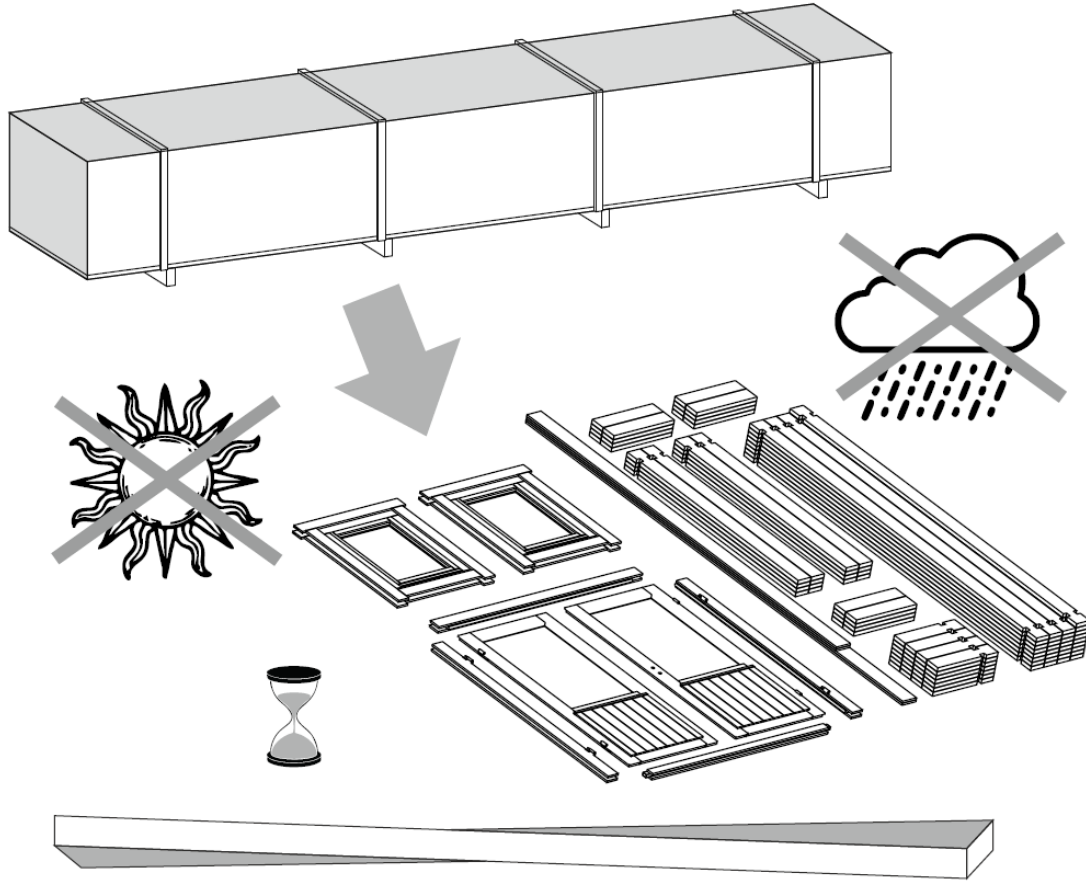
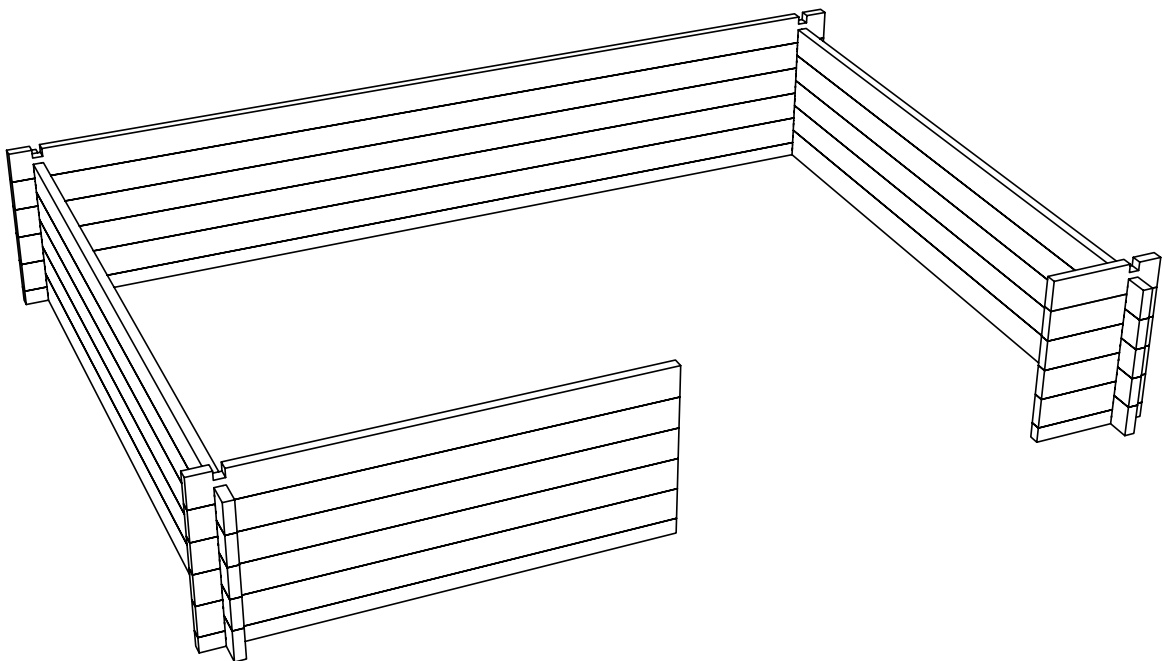
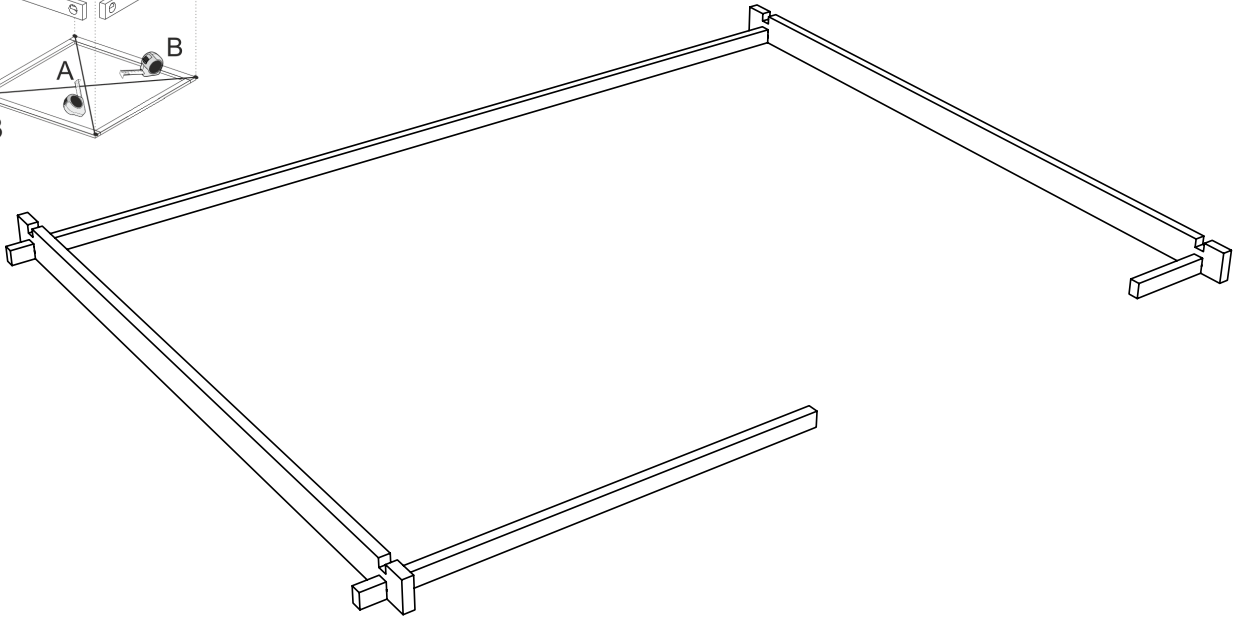
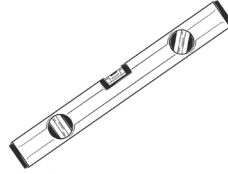
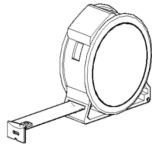
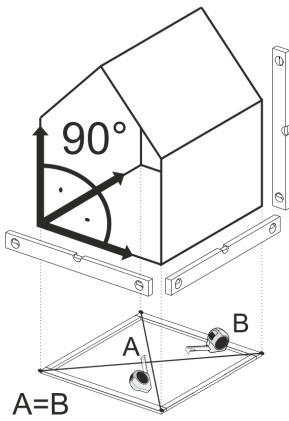


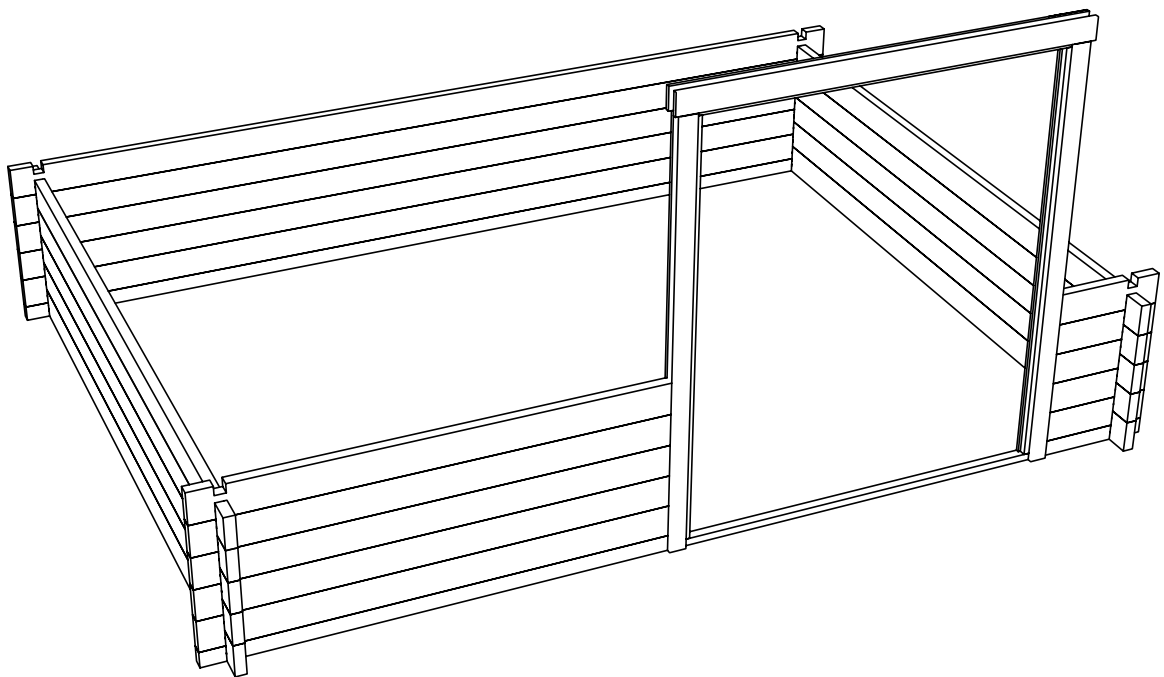
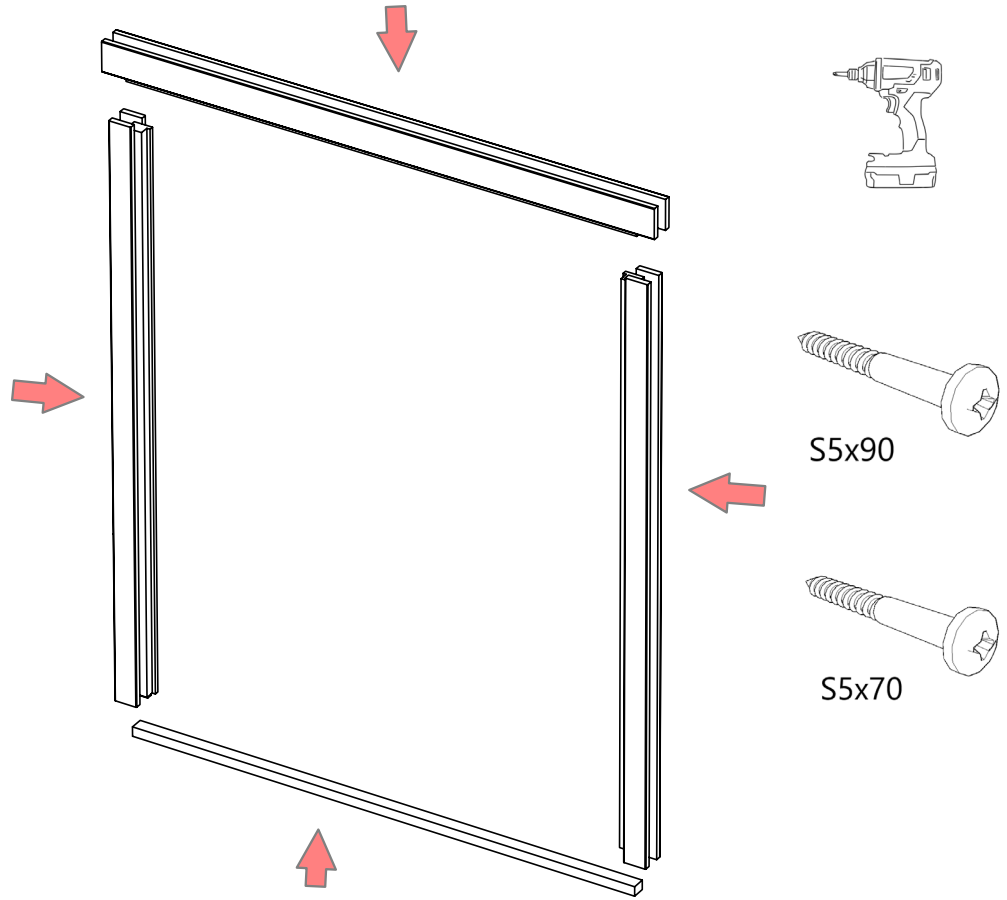
Alphol 

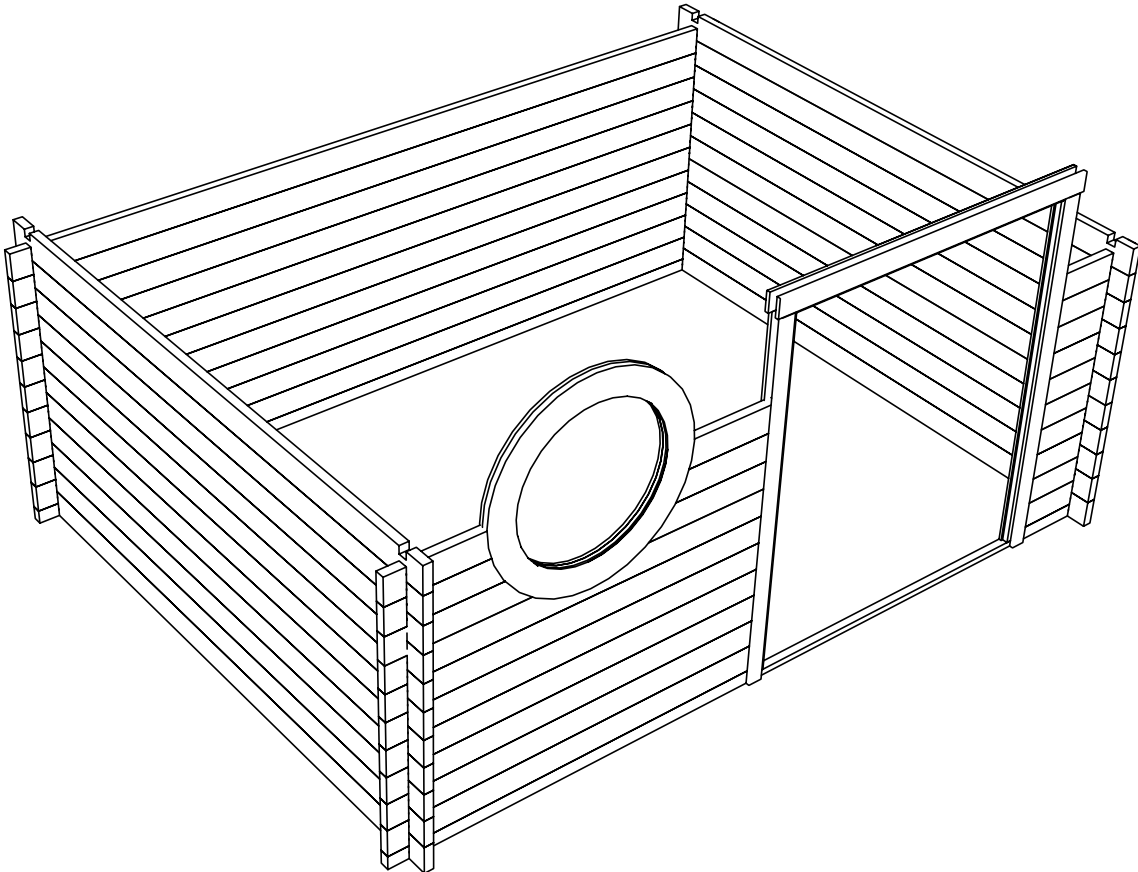
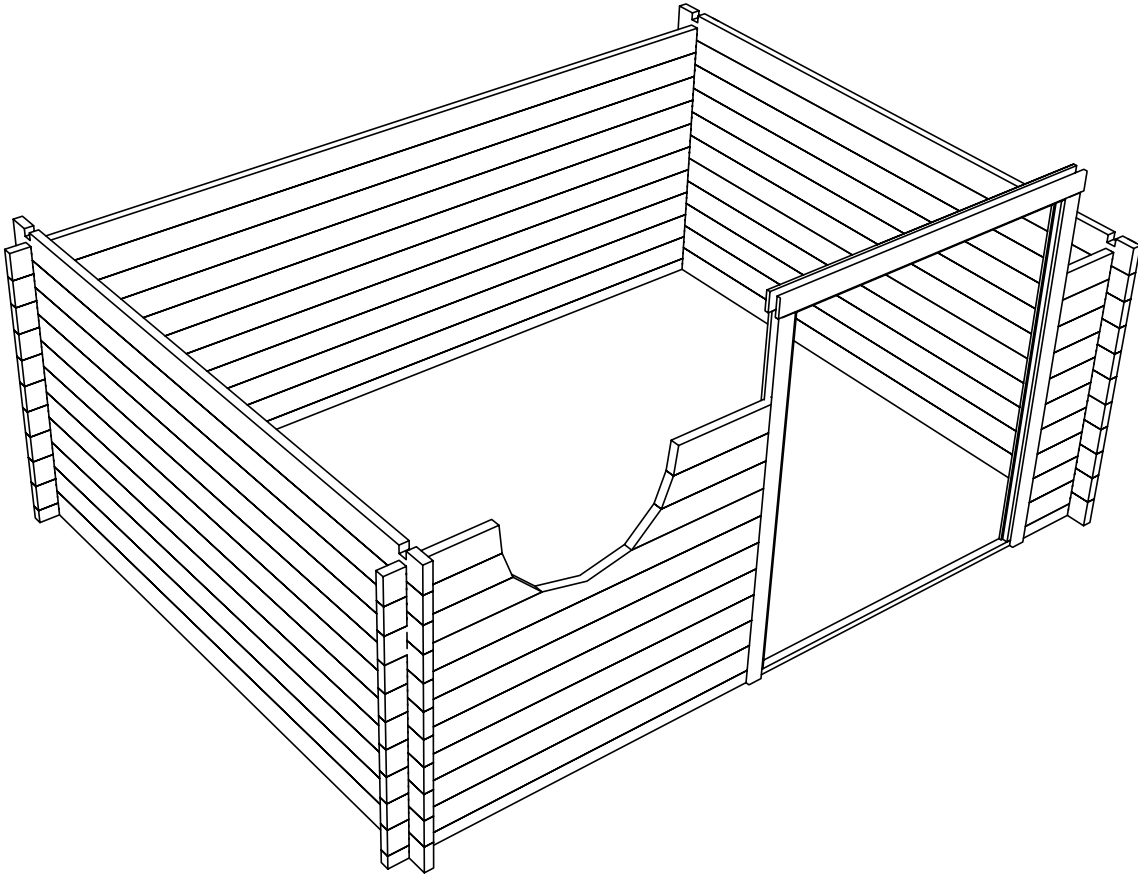


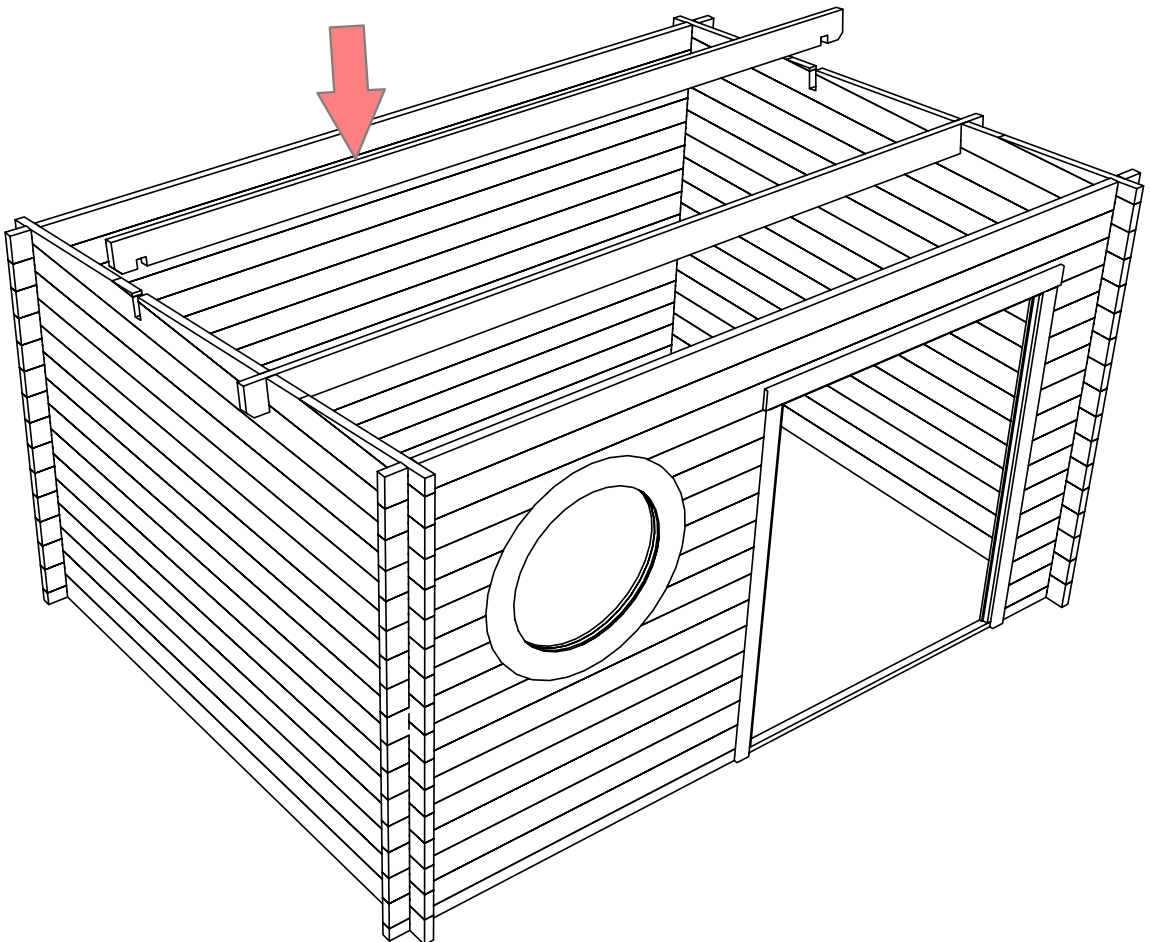
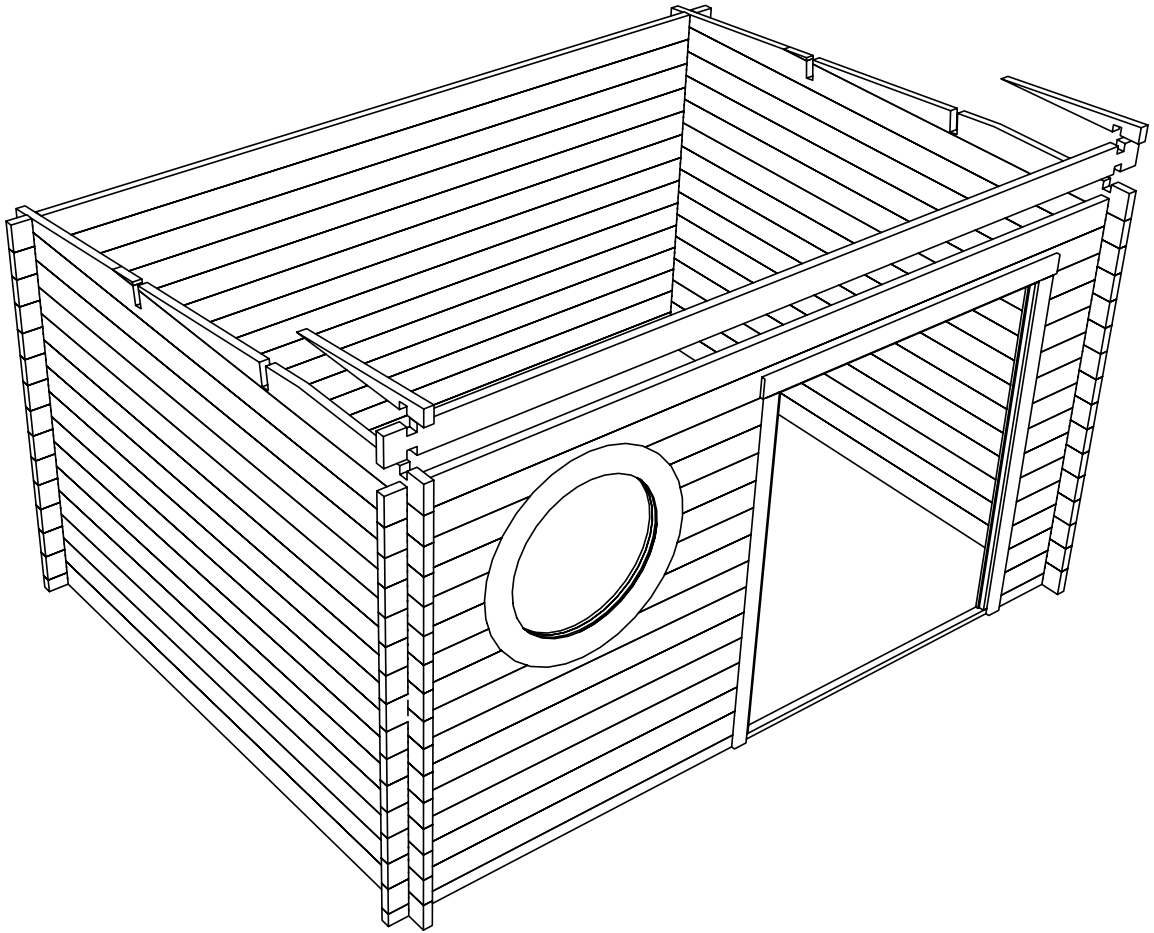
Maria Rondo 44 B

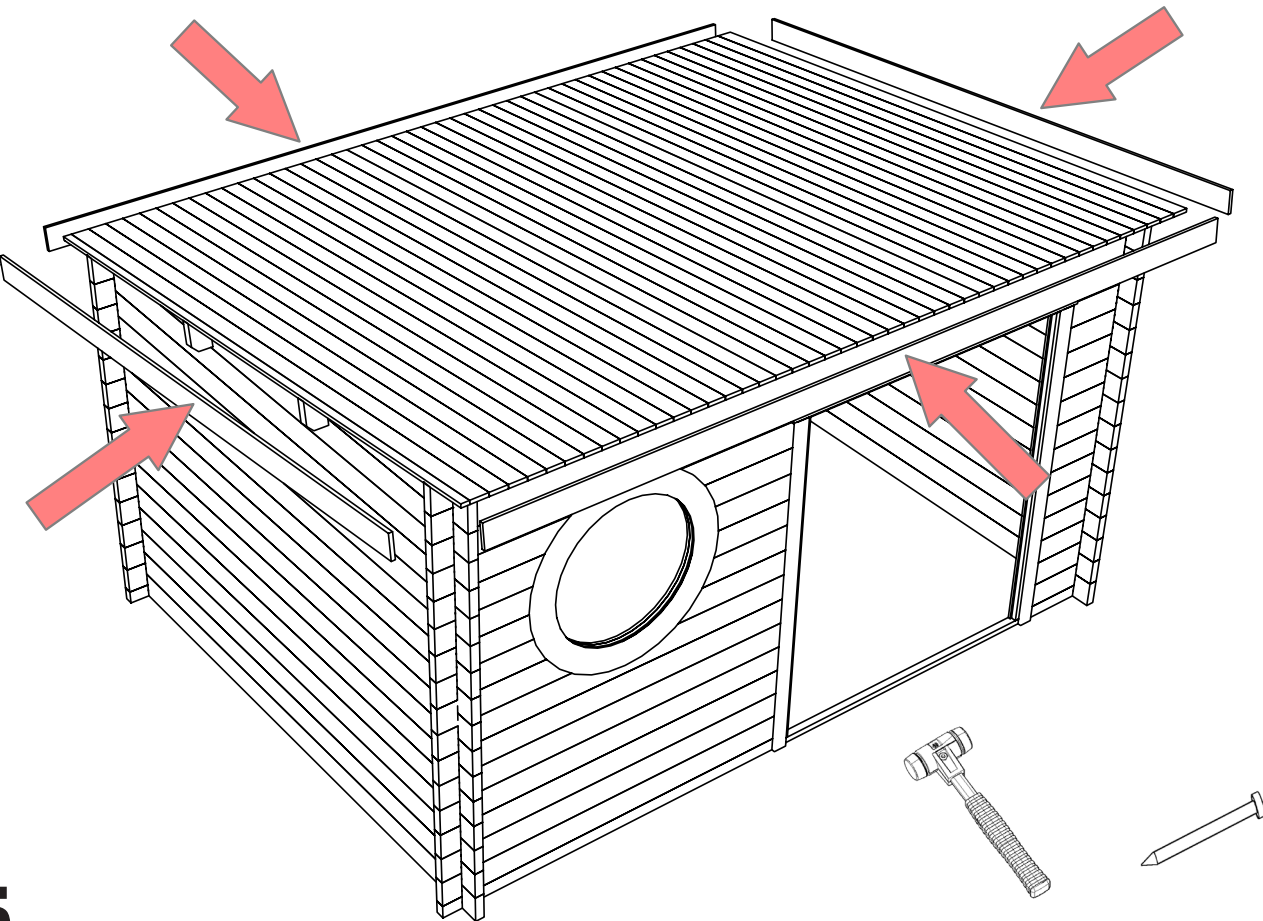
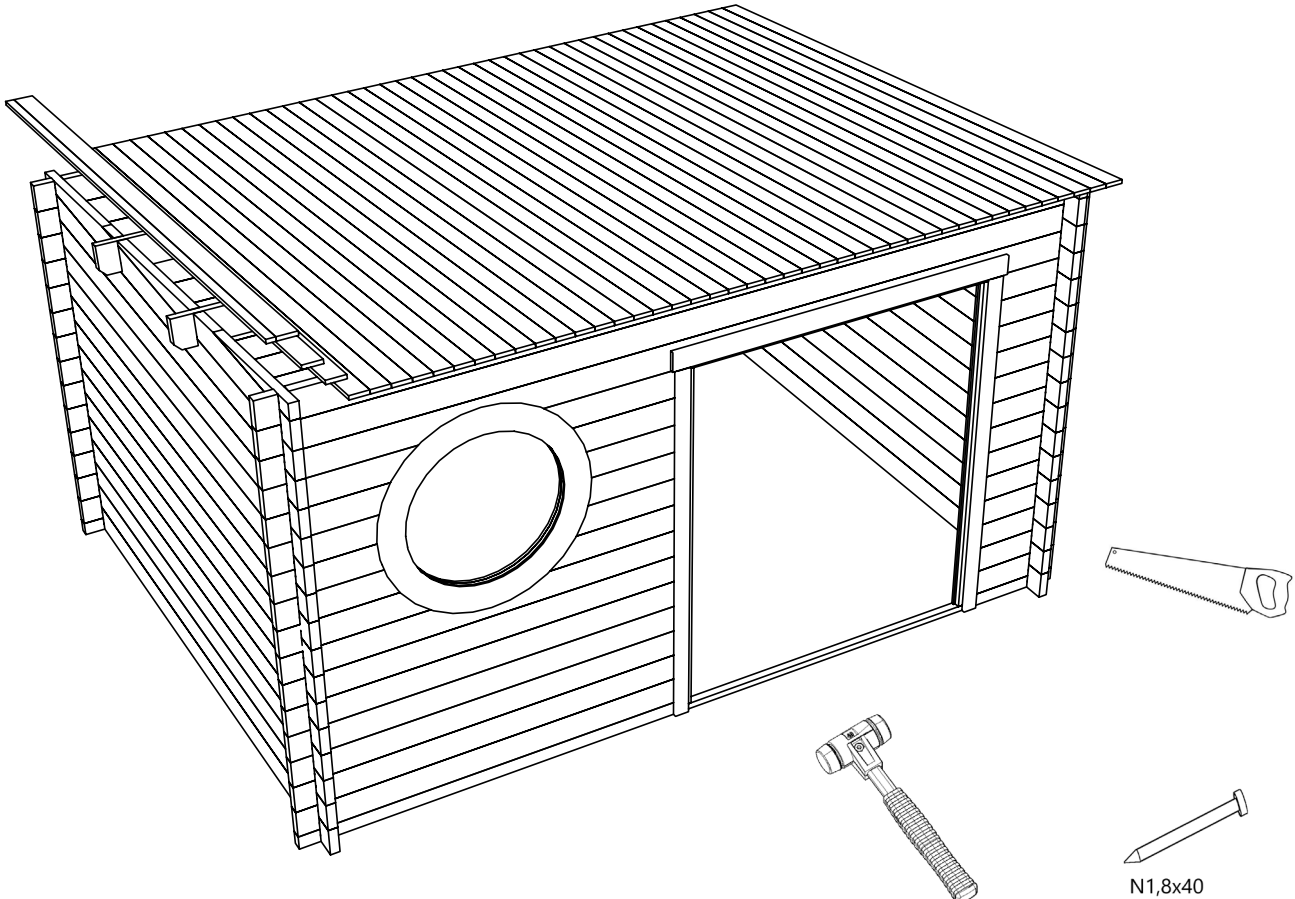




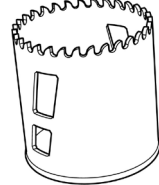
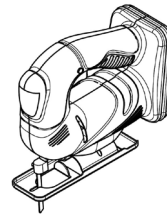
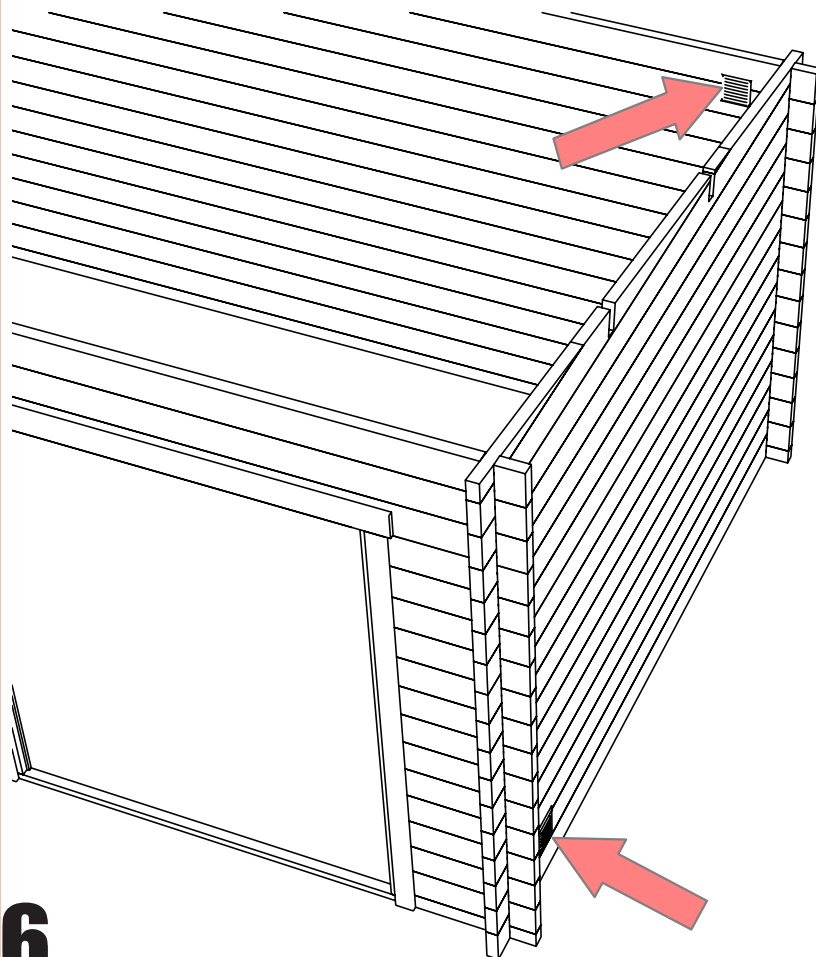
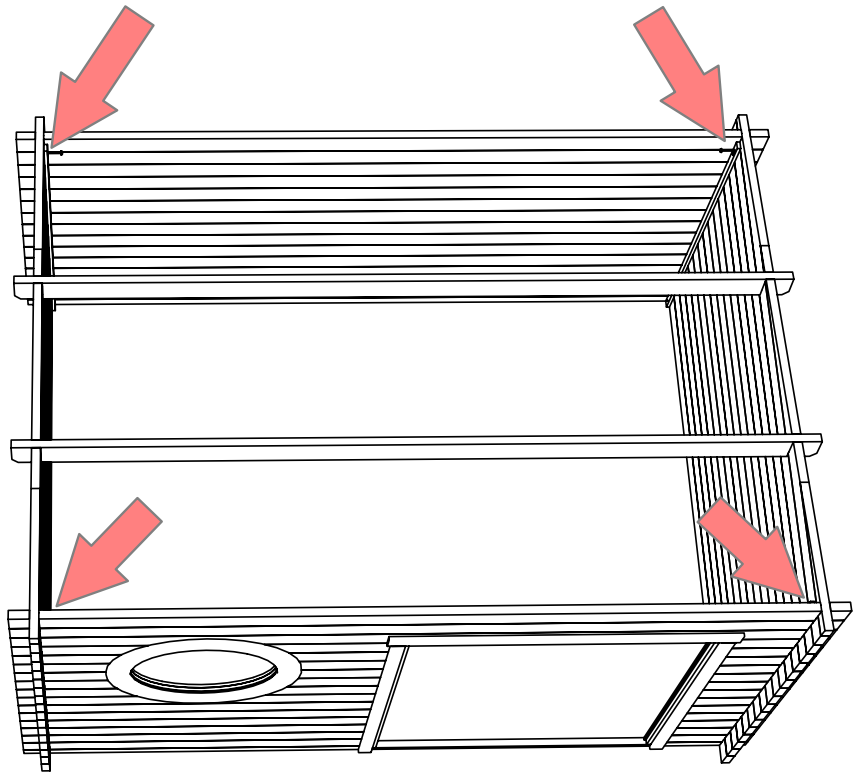
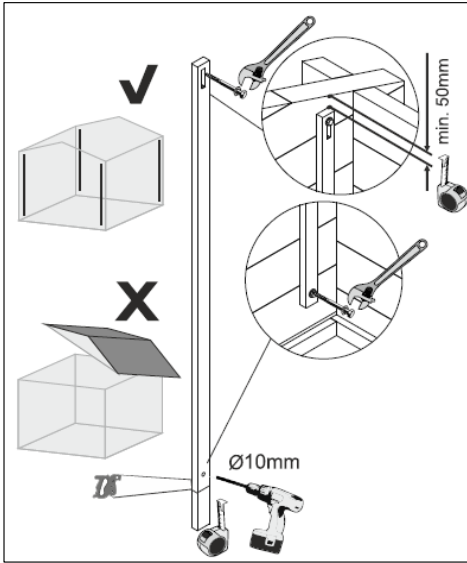




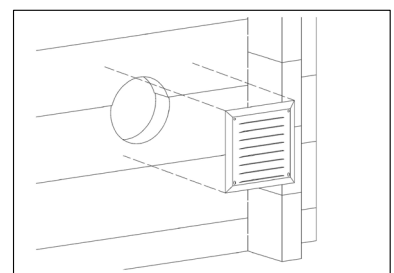
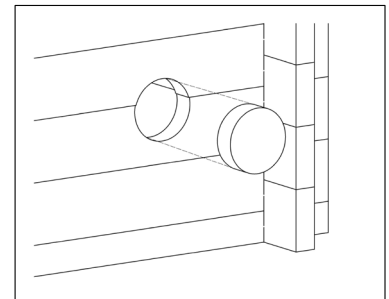


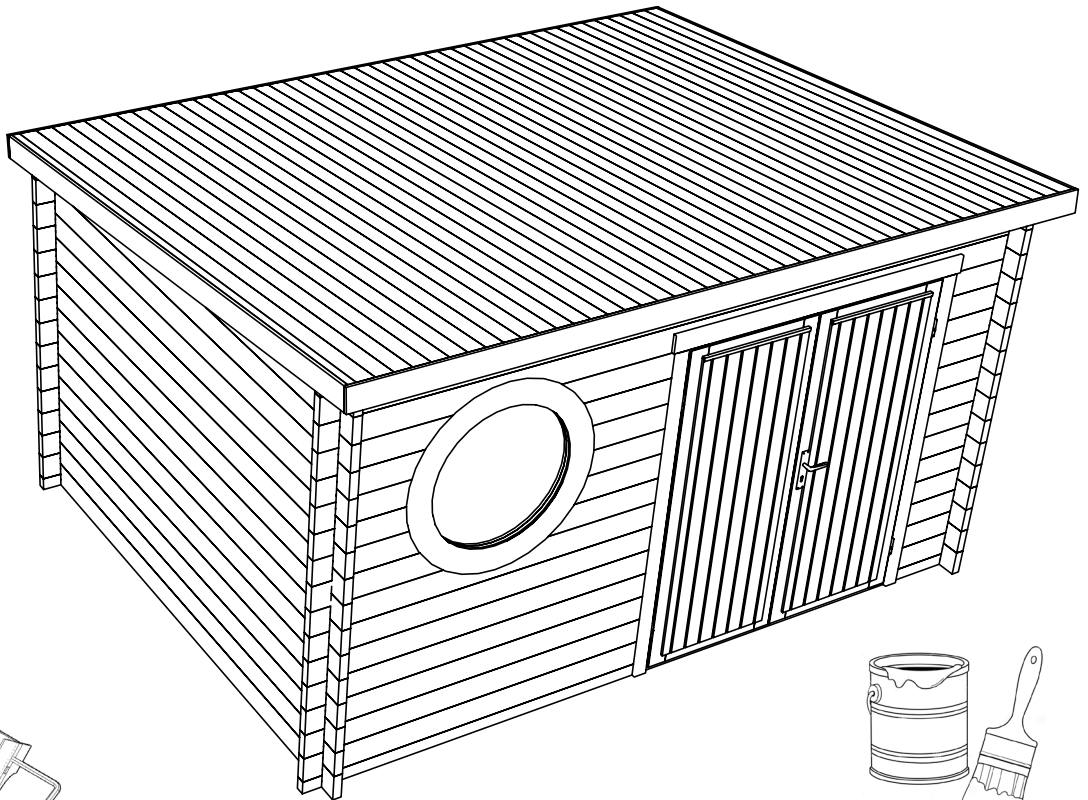
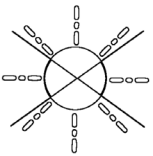
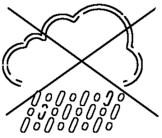
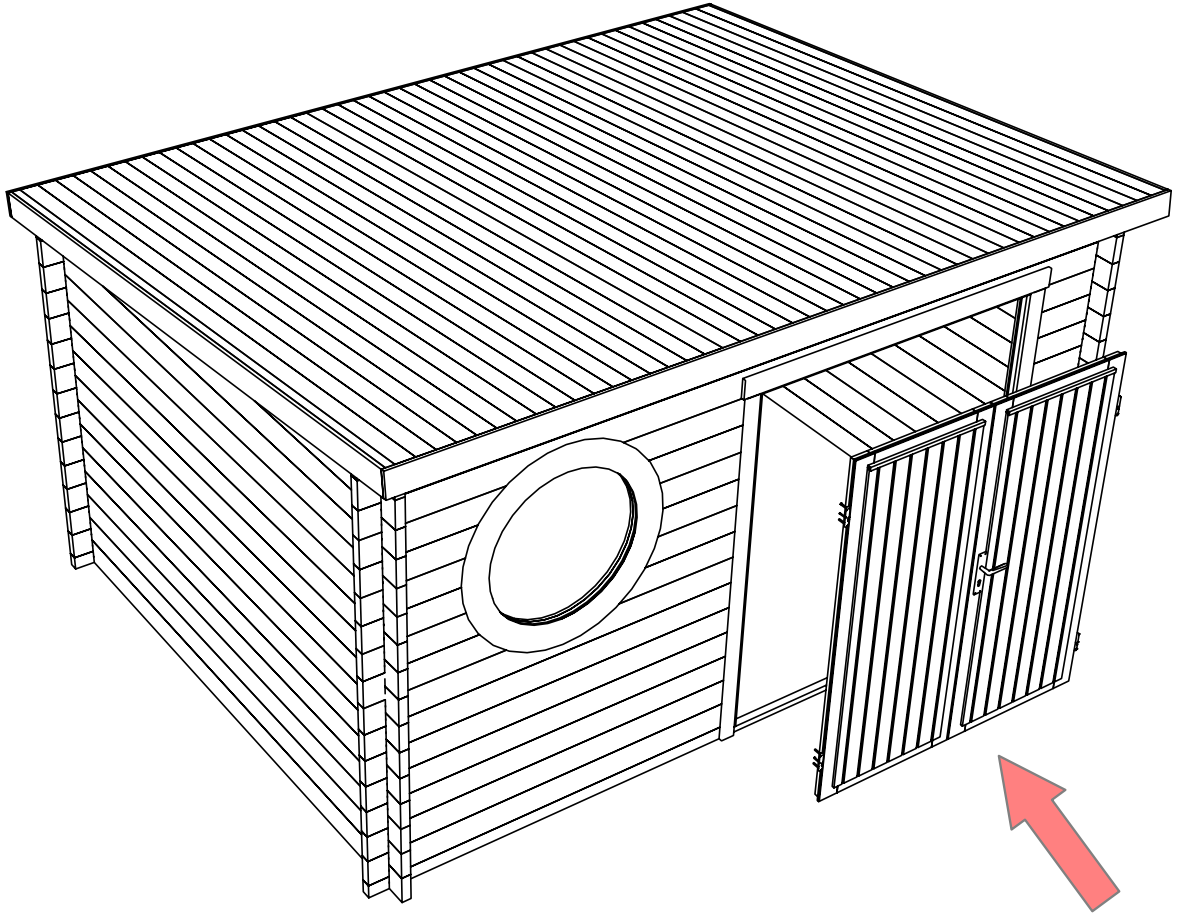


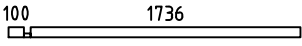
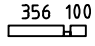
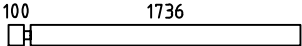
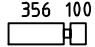
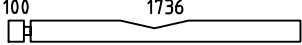
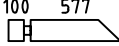
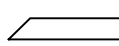
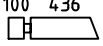
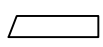
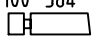
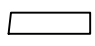
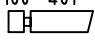
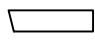
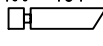
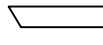
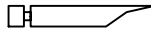
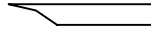
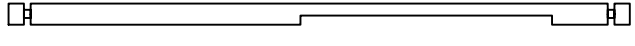
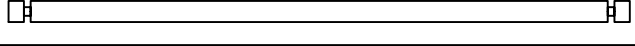
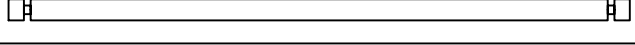
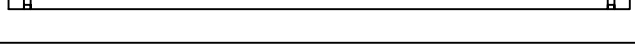
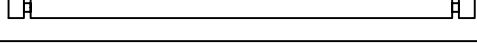
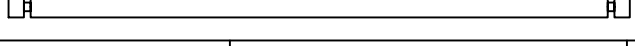
5



Ø ca 130mm

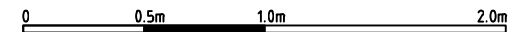
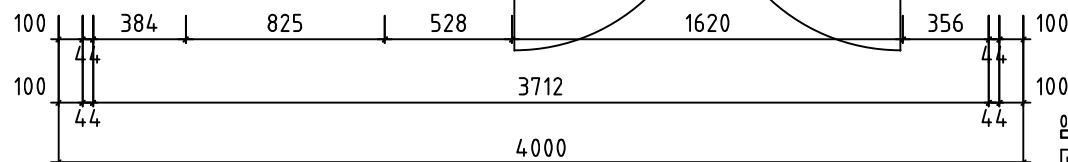
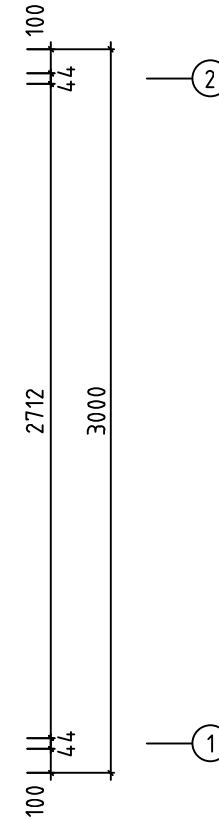
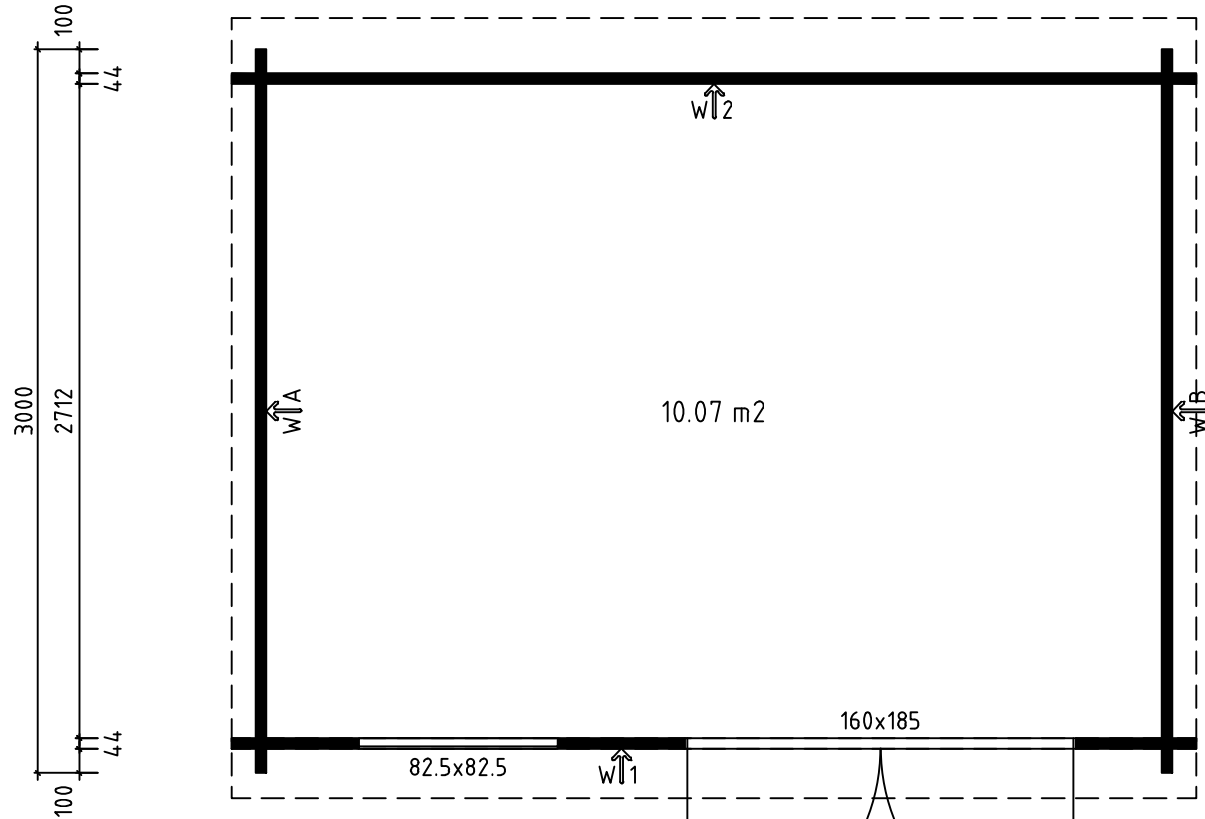
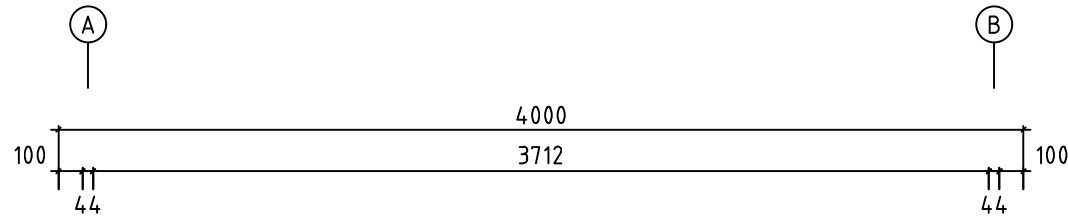




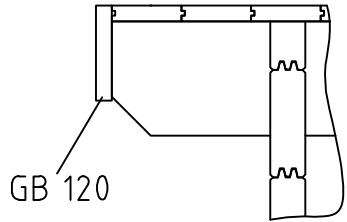
Pos	Specification-Spezifikation-Specificatie-Nomenclature-Elementi-Especificacion Maria Rondo 44 B	Qty	Profile (mm)	Lenght (mm)	
001		1	44x68	1880	
002		1	44x68	500	
003		6	44x135	1880	
004		13	44x135	500	
005		1	44x135	1880	
006		1	44x135	721	
007		1	44x135	721	
008		1	44x135	580	
009		1	44x135	580	
010		1	44x135	528	
011		1	44x135	528	
012		1	44x135	545	
013		1	44x135	545	
014		1	44x135	628	
015		1	44x135	628	
016		1	44x135	940	
017		1	44x135	940	
018		1	44x135	4000	
019		14	44x135	4000	
020		2	44x135	4000	
021		1	44x68	4000	
022		28	44x135	3000	
EXTRA		1	44x135	4000	
Code	Maria Rondo 44 B	Material	File	Maria Rondo 44 B.dwg	Page

Pos	Specification-Spezifikation-Specificatie-Nomenclature-Elementi-Especificacion Maria Rondo 44 B	Qty	Profile (mm)	Lenght (mm)
WA-1		1		
WB-1		1		
PL1	PURLIN-DAKBALK-DACHPFETTE-PANNE-ARCARECCIO-CORREA 	2	44x144	4000
R-1	Roof board-Dachbrett-Dakplank-Volige-Tavola tetto-Tabla de tejado	46+1 36+1	88x18 114x18	3250
GB-1	Gable board 120-Giebelblende-Gevelplank-Planche de rive-Tavola di bordo-Tabla de borde	2	18x120	3290
GB-2	Gable board 120-Giebelblende-Gevelplank-Planche de rive-Tavola di bordo-Tabla de borde	2	18x120	4036
SS-1	Storm slat kit-Sturmleiste satz-Stormanker set-Kit de latte anti tempête-Kit listello di tempesta-Kit liston anti tormenta	4	18x40	2000
	Double door kit-Doppeltür satz-Dubbele deur set-Kit double porte-Kit porta-Kit para puerta	1		
	Nail 1.8x40-Nagel-Spijker-Clou-Chiodo-Clavo	220	1.8x40	
	Ventilation panel kit-Außengitter-Schoepenrooster-Panneau de ventilation-Griglia di ventilazione-Rejilla de ventilacion	1		
	WINDOW 825x825 WR 825x825-44 ISO 	1		
	DOOR 1600x1850 DDL F 1600x1850-44 	1		
Code	Maria Rondo 44 B	Material	File	Maria Rondo 44 B.dwg
				Page

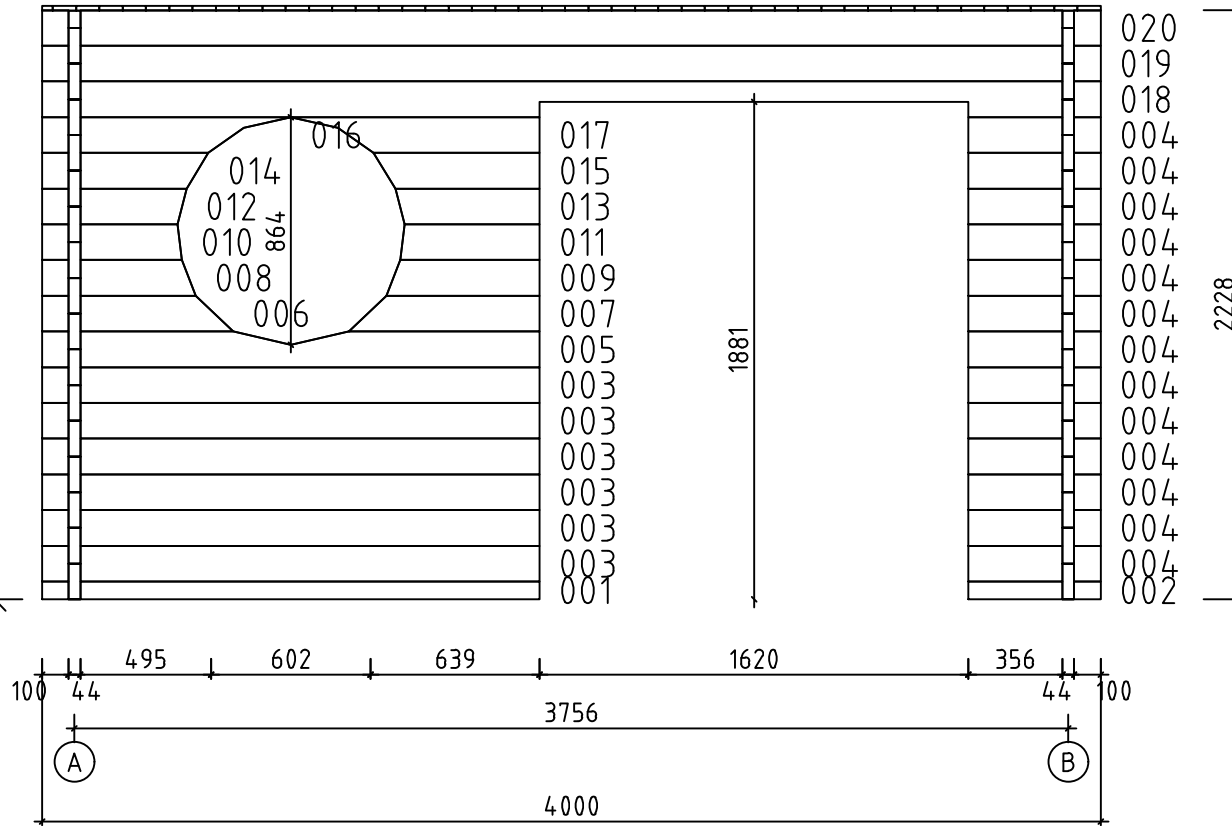
H = 1.500 m
 TOTAL: 10.07 m²



Model	Maria Rondo 44 B	Drawing	PLAN	Page	
		Drawn by	J.S	Material	44x135
		Date	19.04.2023	File	Maria Rondo 44 B.dwg
		Scale	1:20		

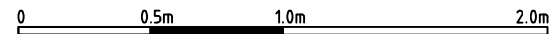
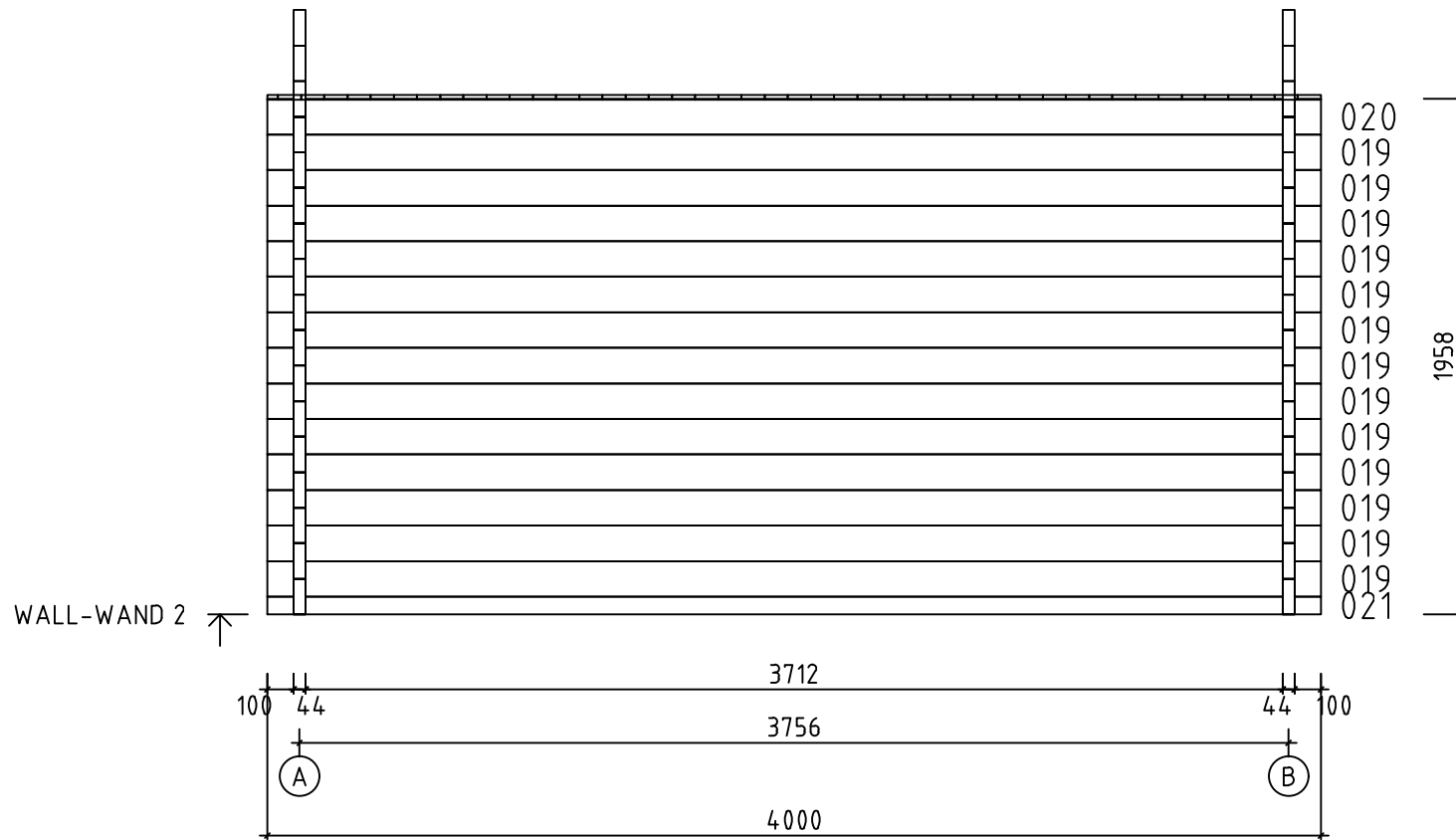


WALL-WAND 1 ↗

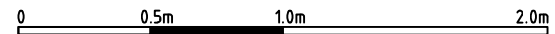
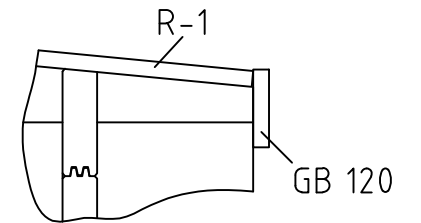
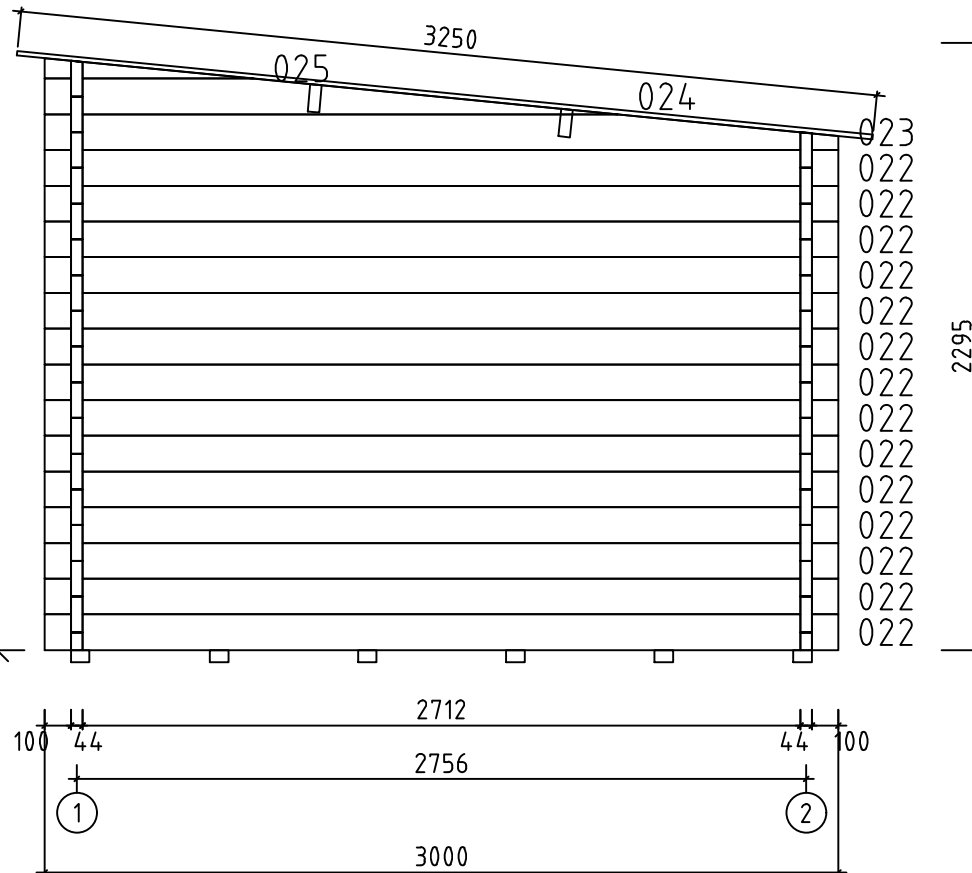
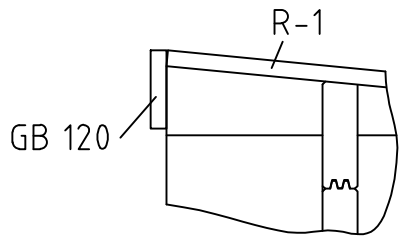


0 0.5m 1.0m 2.0m

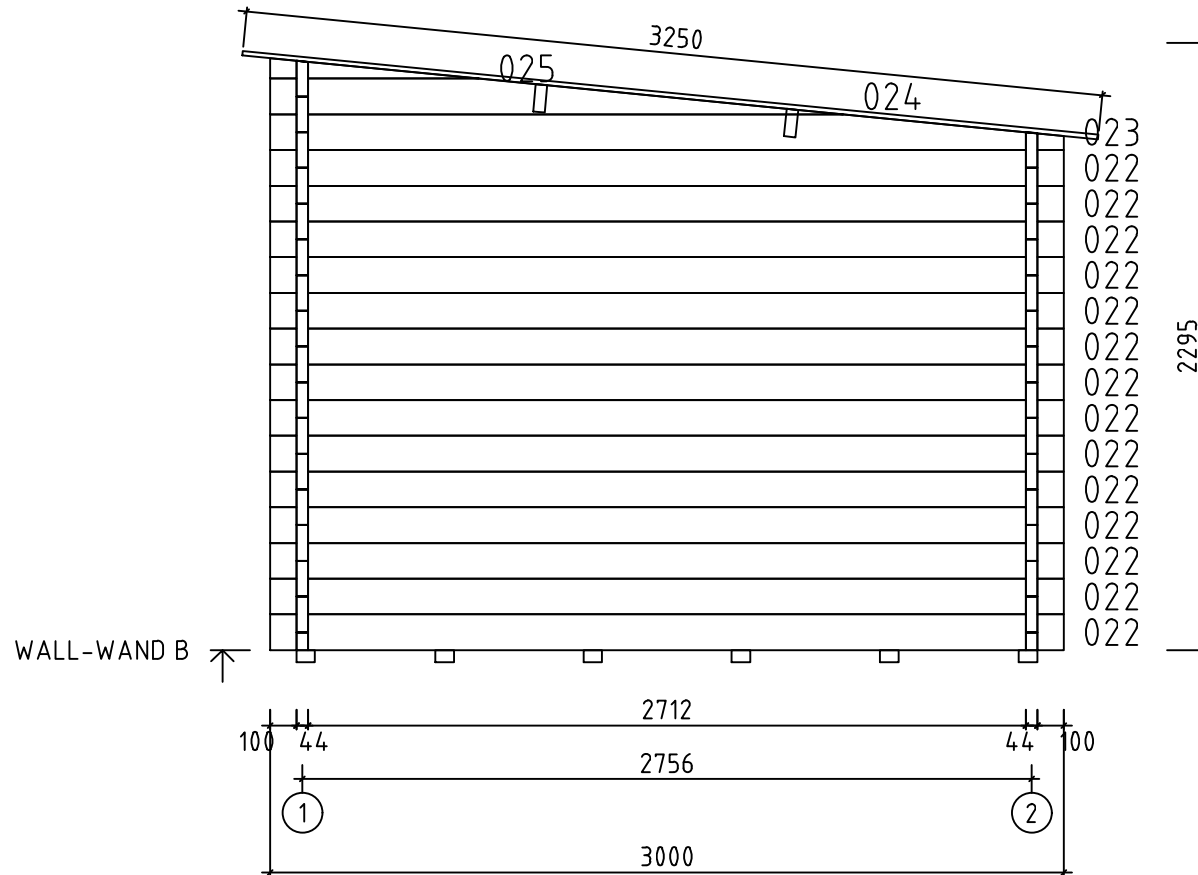
Model	Maria Rondo 44 B	Drawing	WALL 1	Page	4
		Drawn by	J.S	Material	4.4x13.5
		Date	19.04.2023	File	Maria Rondo 44 B.dwg
		Scale	1:20		




Model	Maria Rondo 44 B	Drawing	WALL 2	Page	5
		Drawn by	J.S	Material	4.4x13.5
		Date	19.04.2023	File	Maria Rondo 44 B.dwg

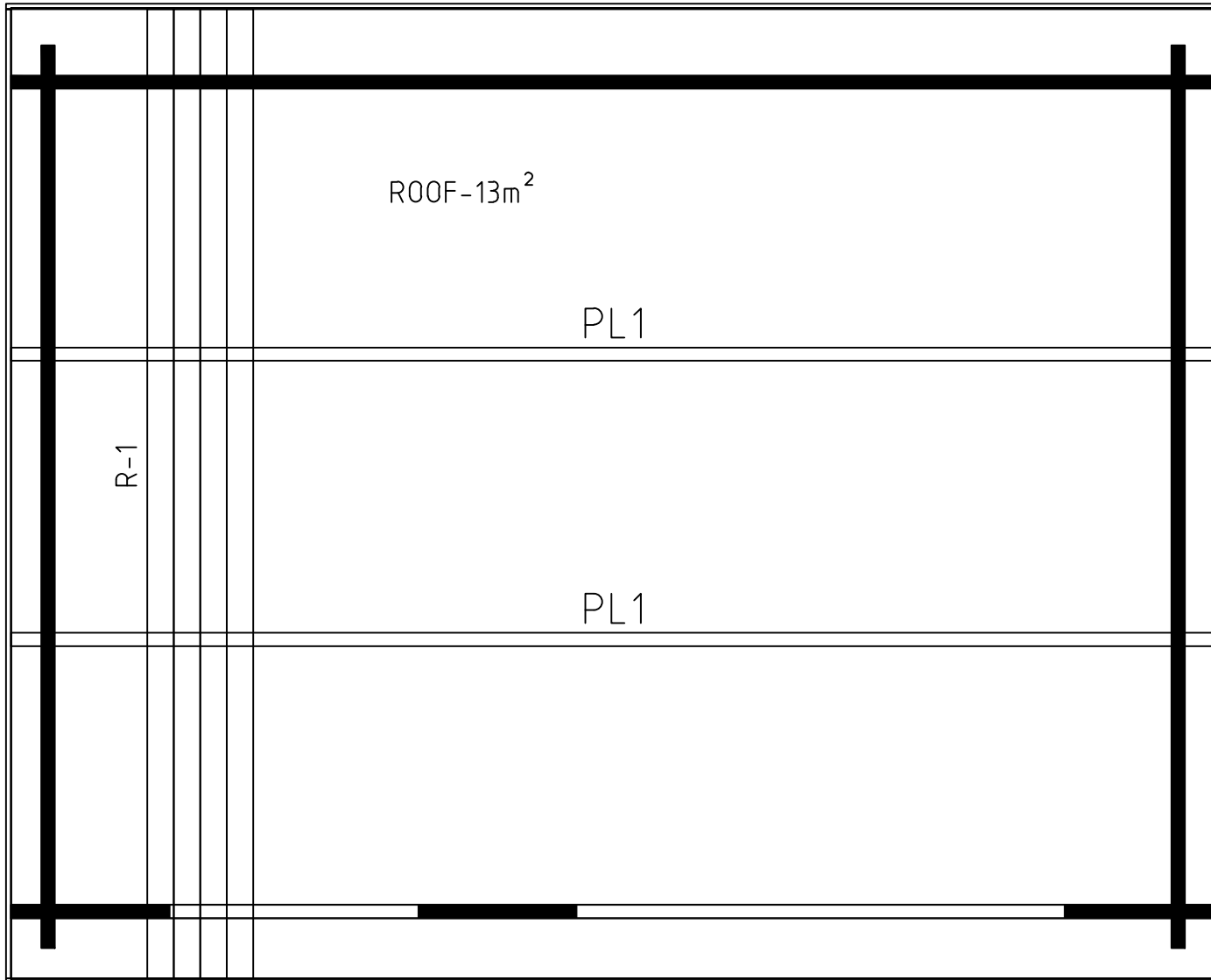


Model	Maria Rondo 44 B	Drawing	WALL A	Page	2
		Drawn by	J.S	Material	4.4x13.5
		Date	19.04.2023	File	Maria Rondo 44 B.dwg




0 0.5m 1.0m 2.0m

Model	Maria Rondo 44 B	Drawing	WALL B	Page	3
		Drawn by	J.S	Material	4.4x13.5
		Date	19.04.2023	File	Maria Rondo 44 B.dwg



0 0.5m 1.0m 2.0m

Model	Maria Rondo 44 B	Drawing	ROOF	Page
	Drawn by	J.S	Material	44x135
	Date	19.04.2023	File	Maria Rondo 44 B.dwg
			Scale	1:20