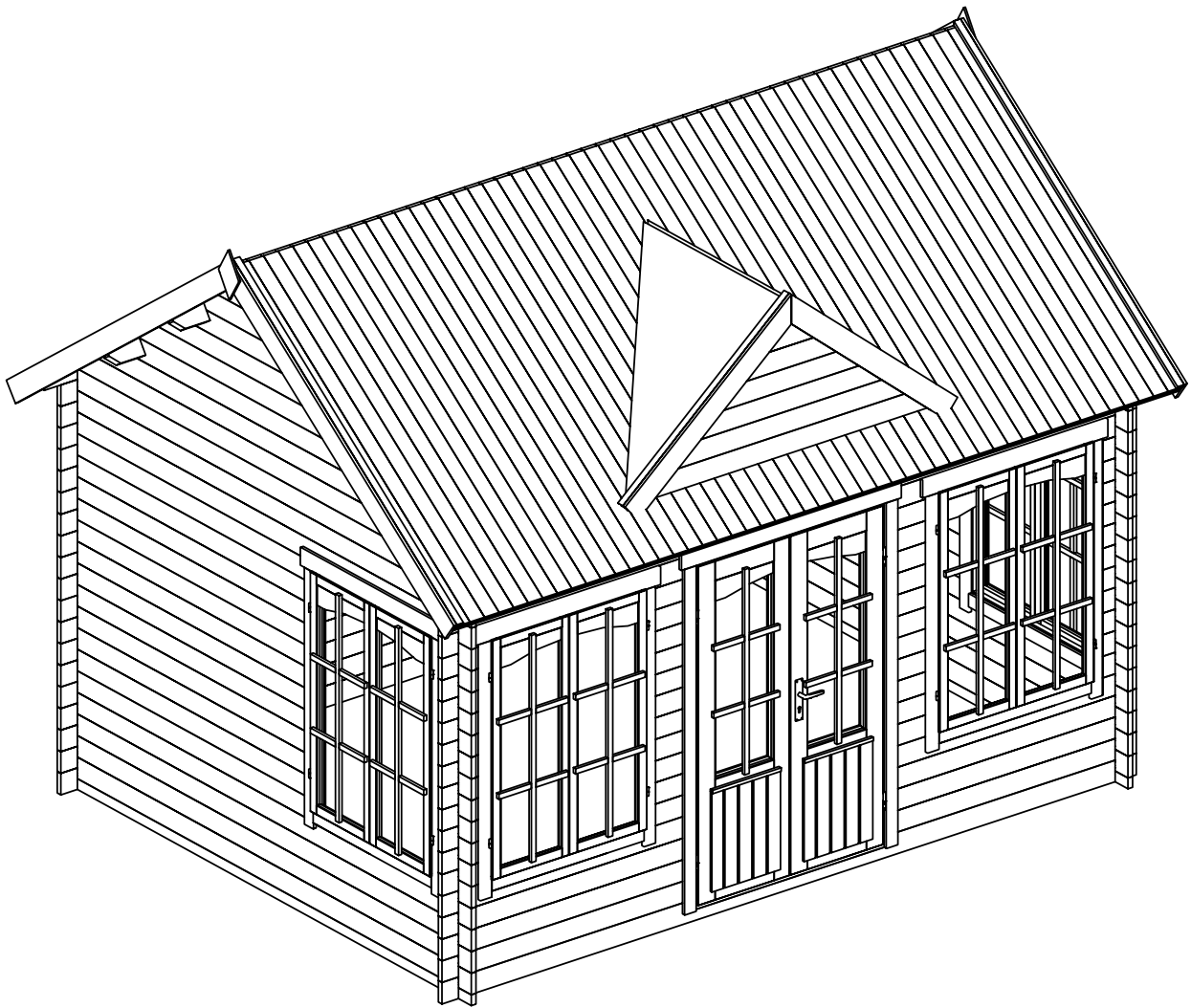
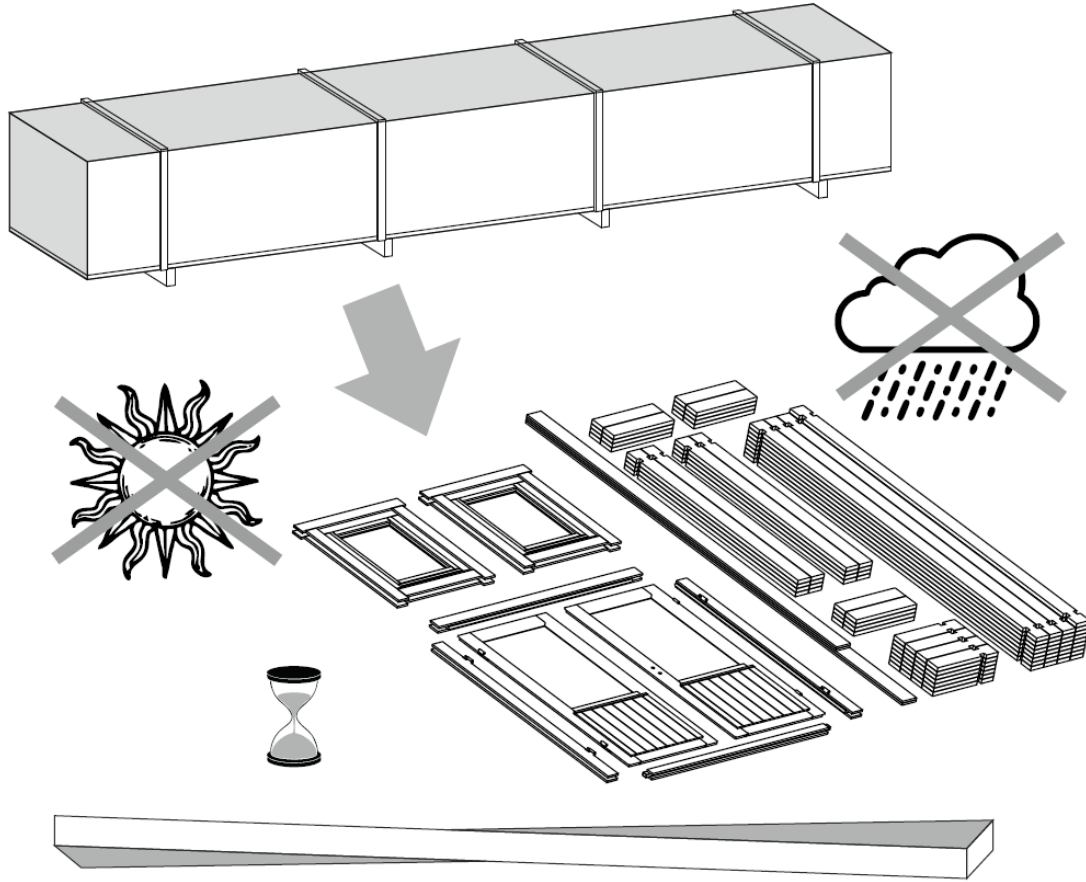
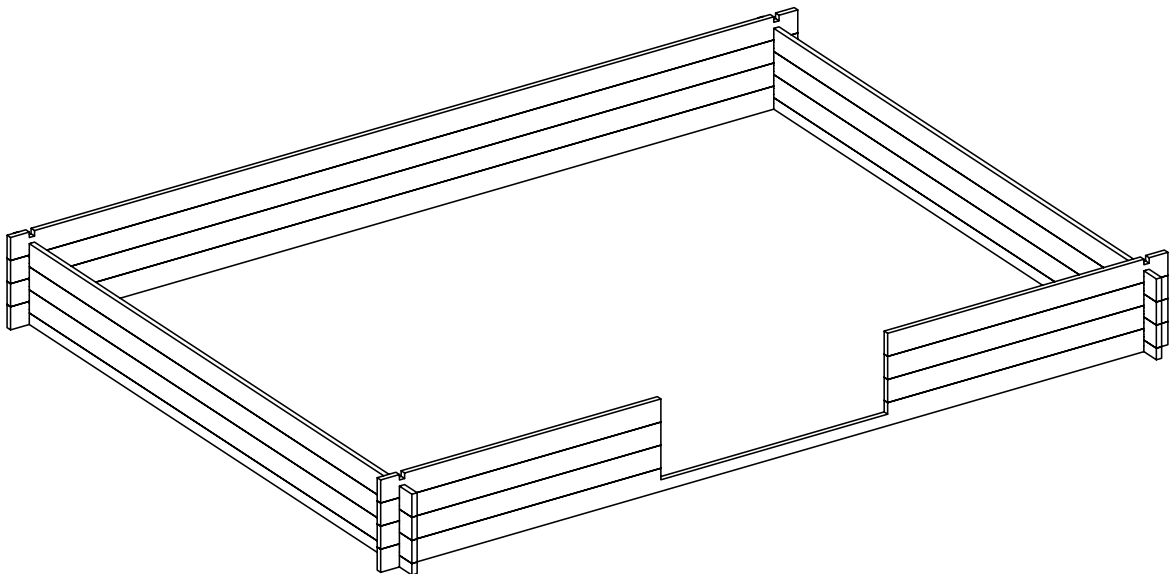
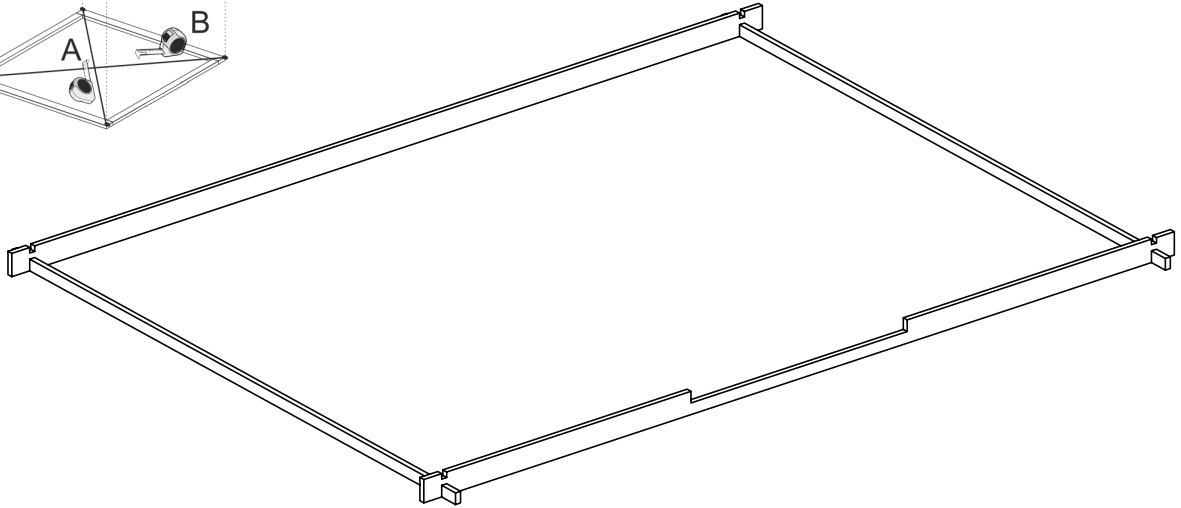
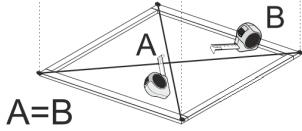
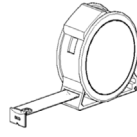
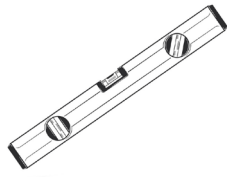
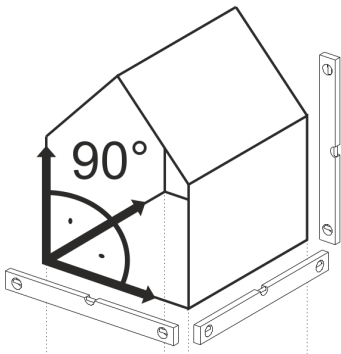


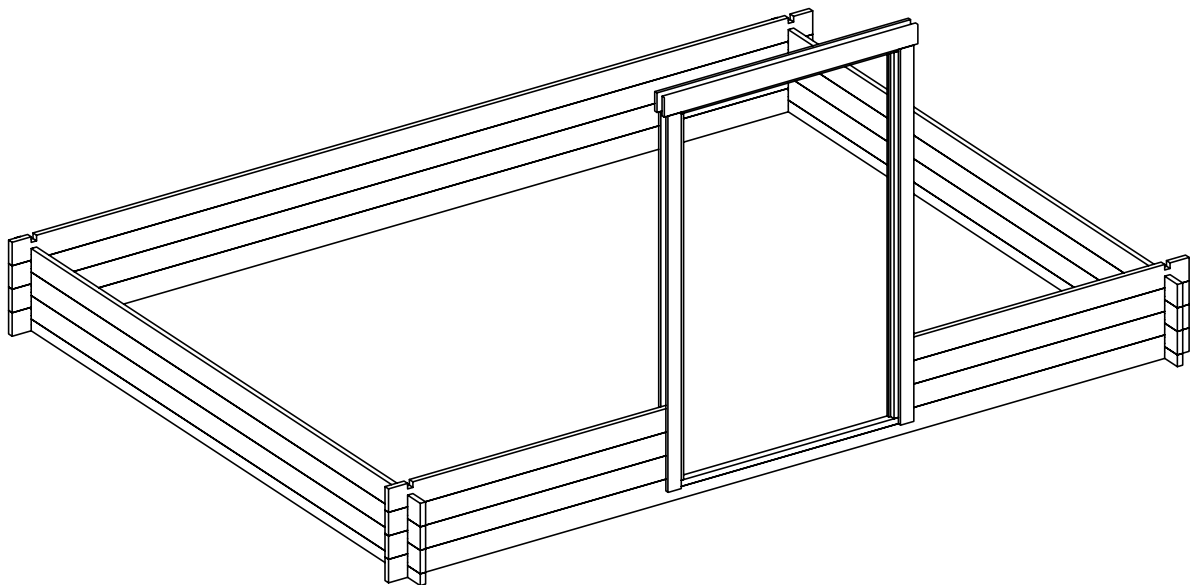
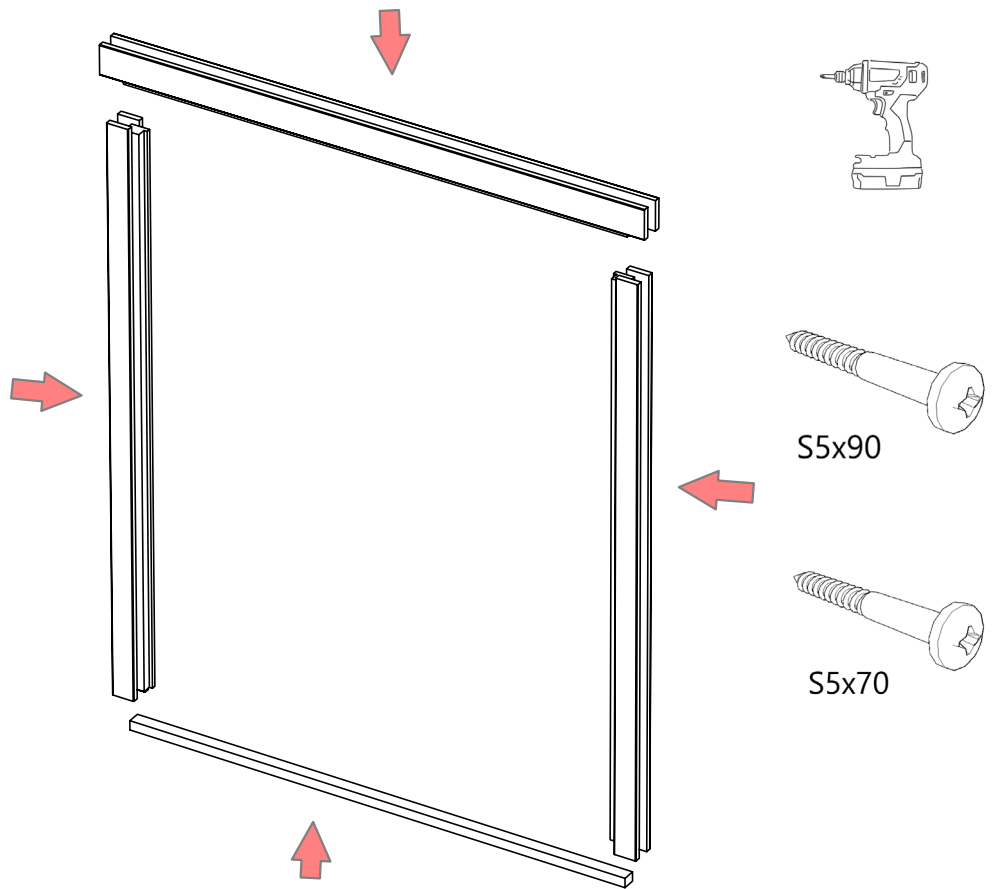
Alphol 

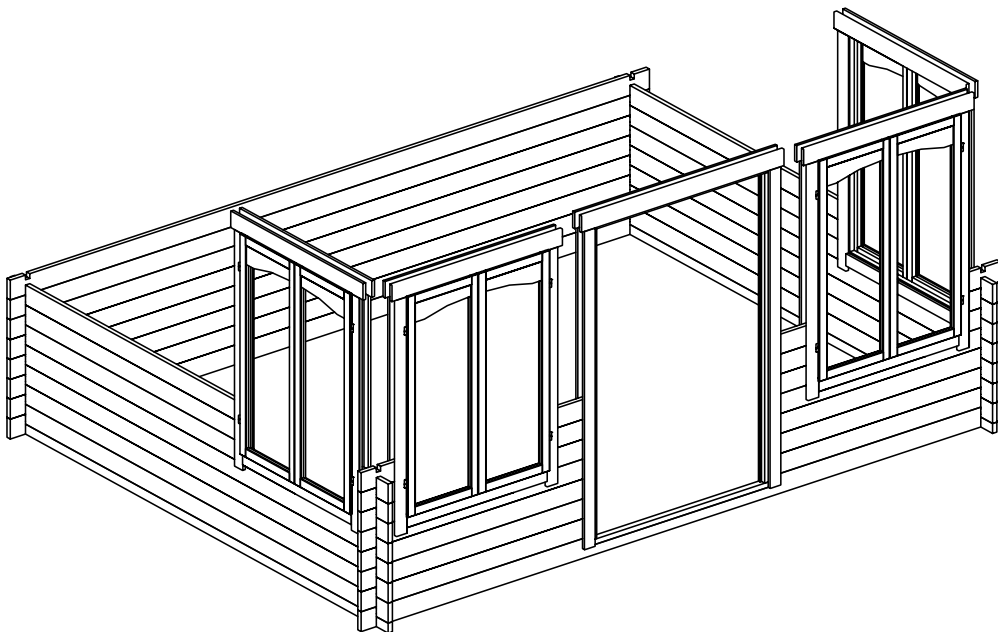
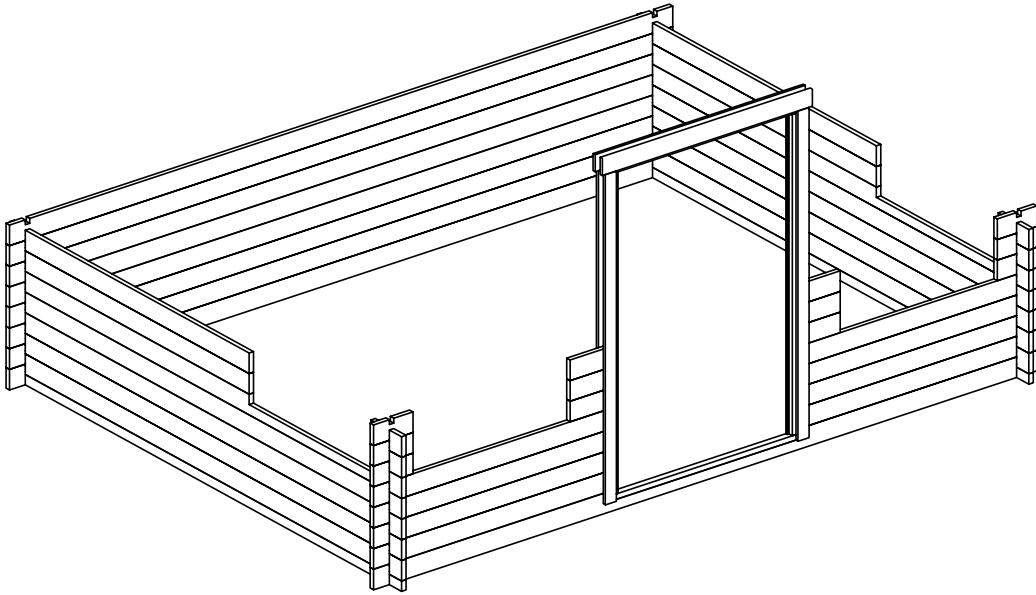


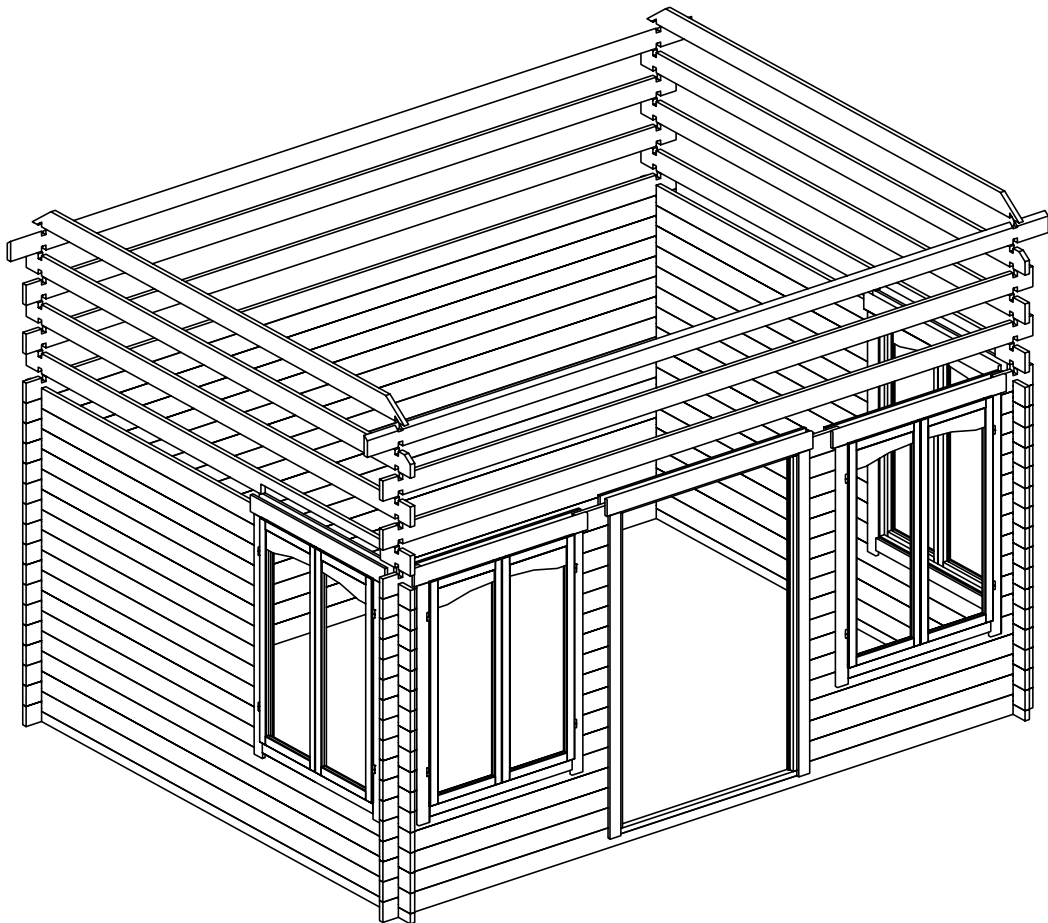
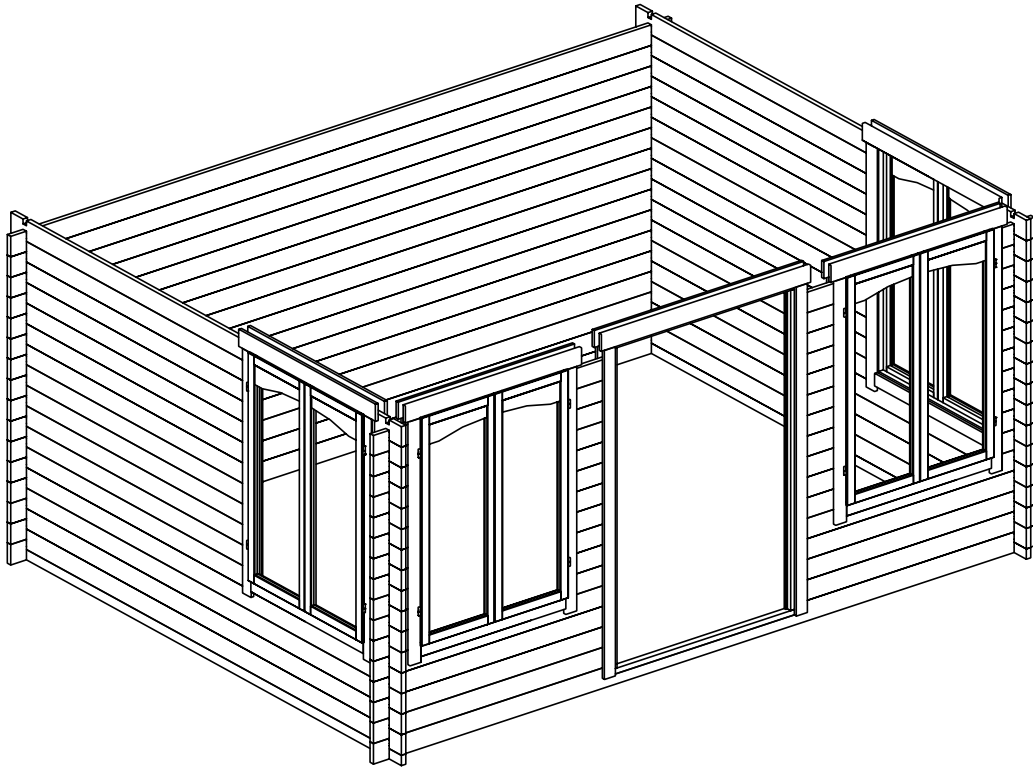
Clockhouse 28

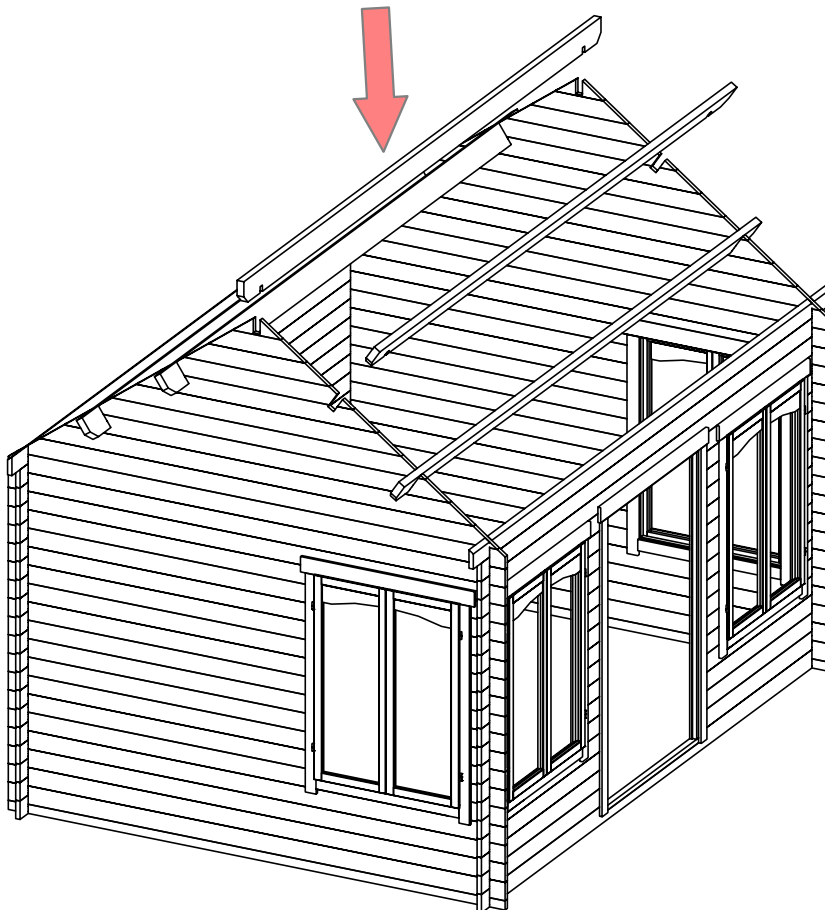
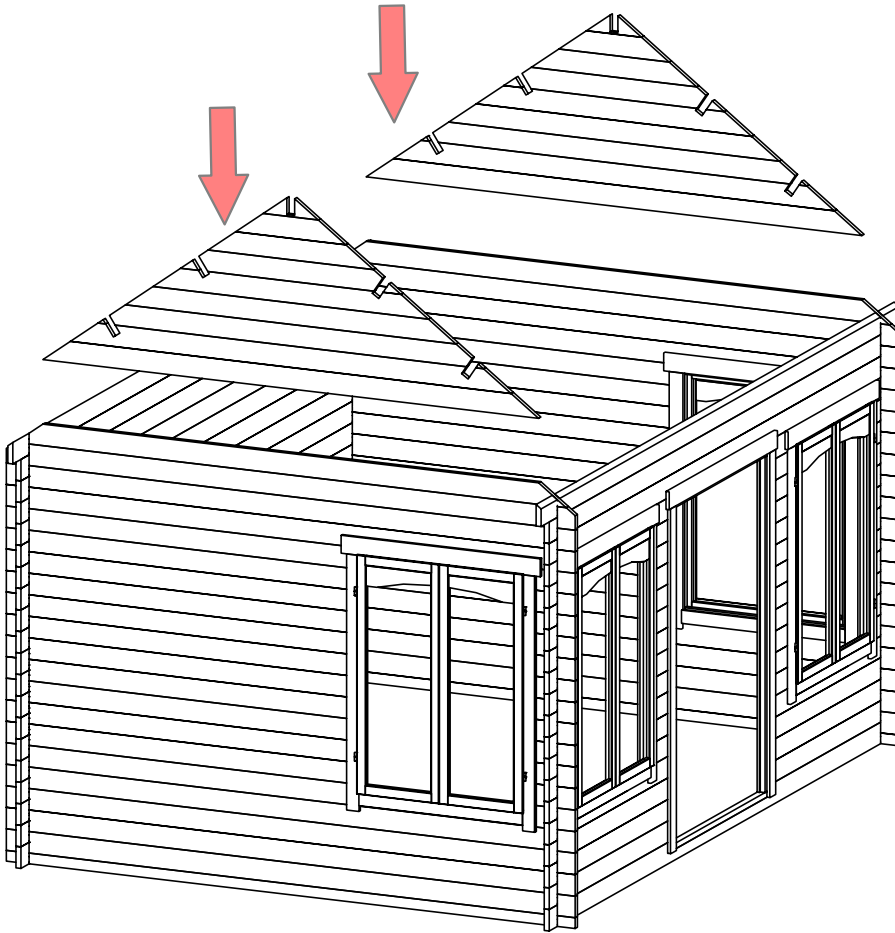


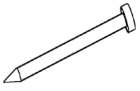
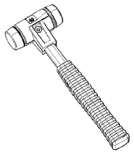




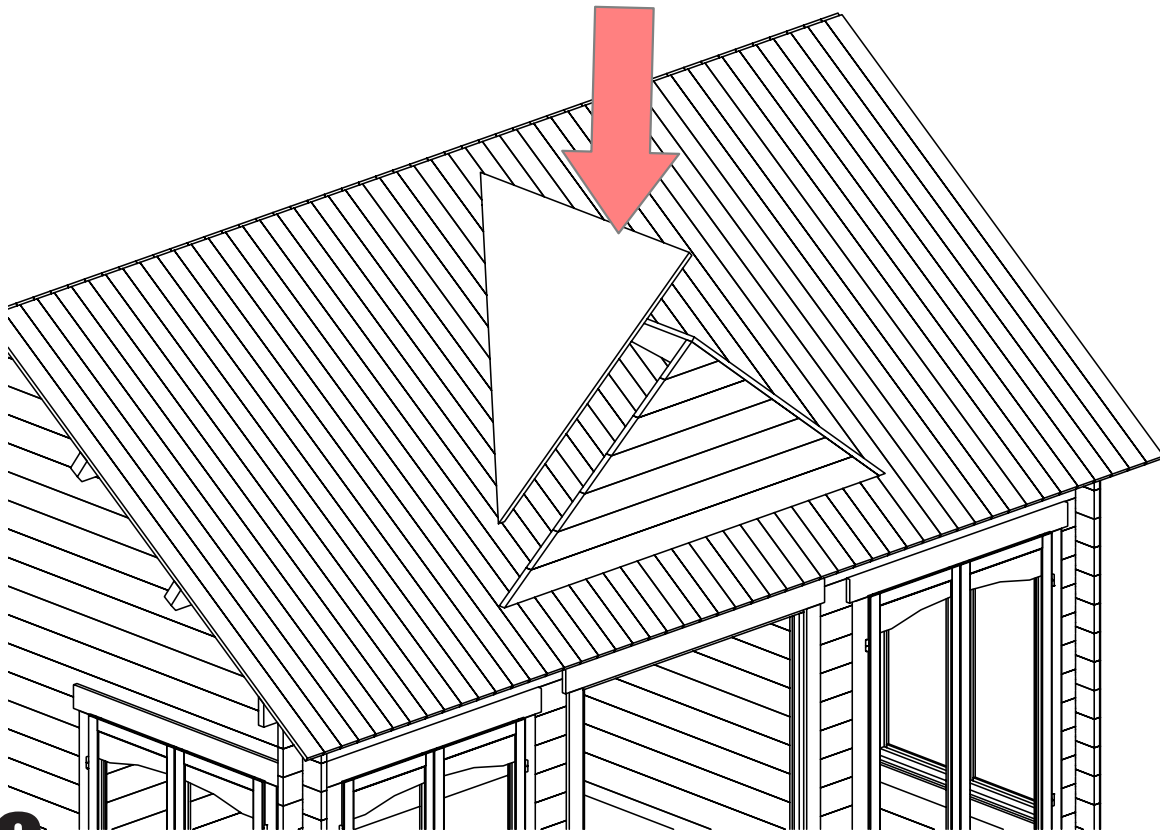
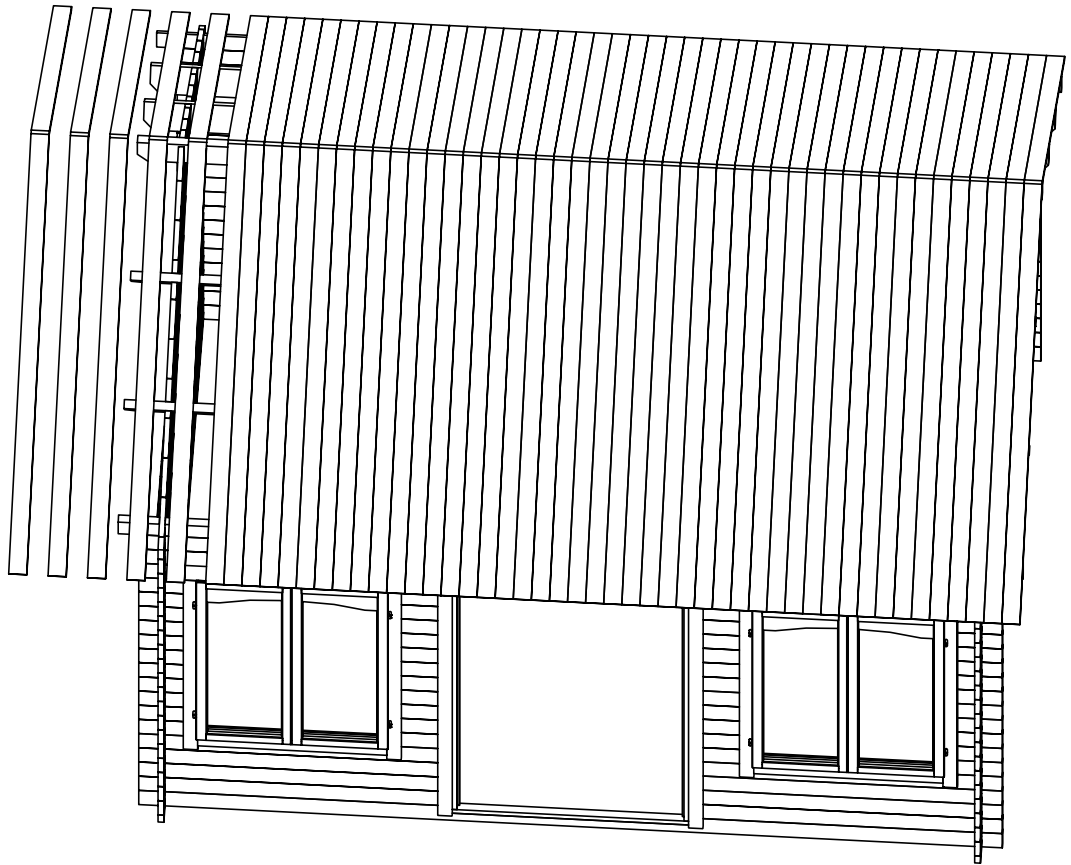




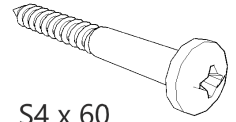
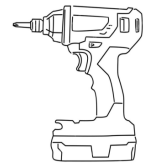
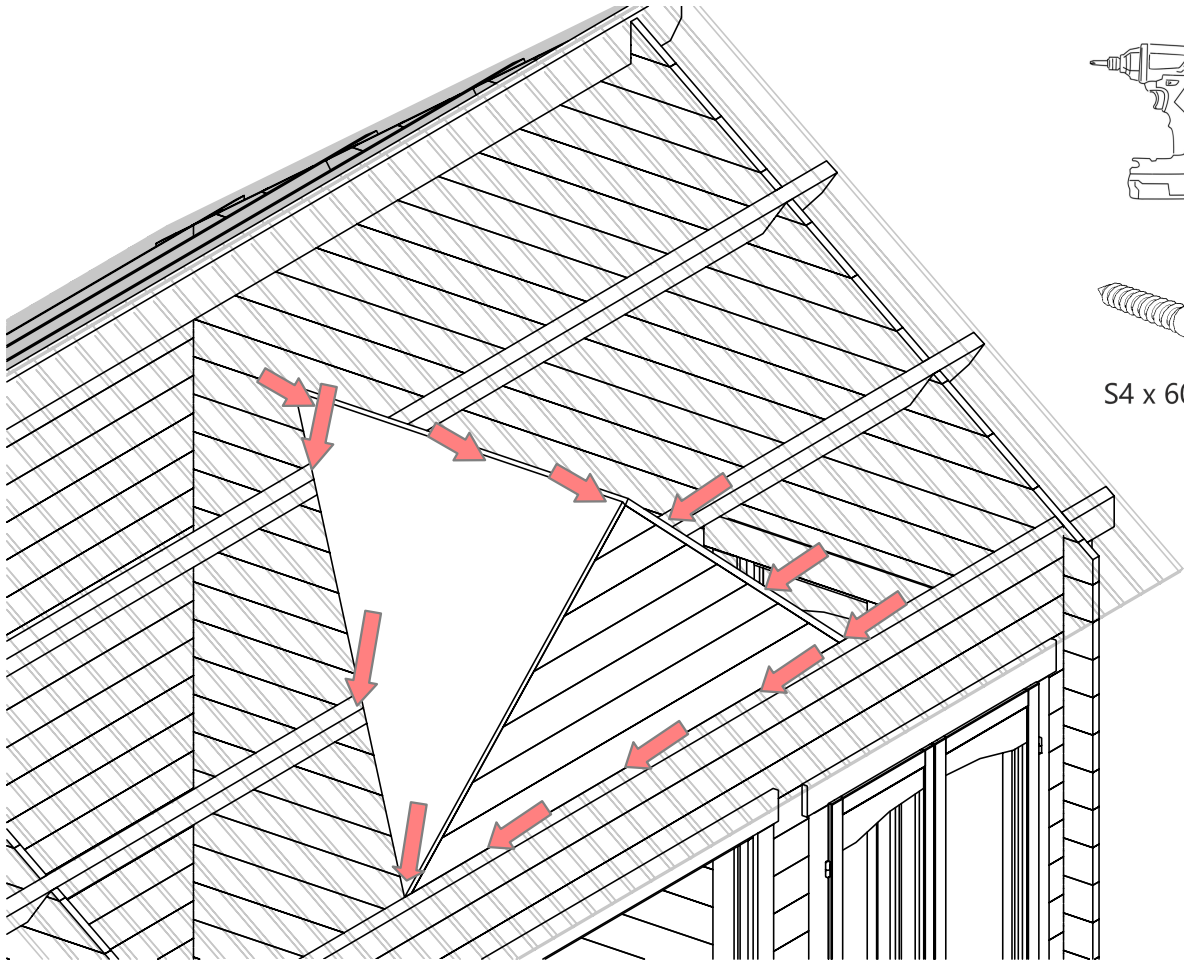




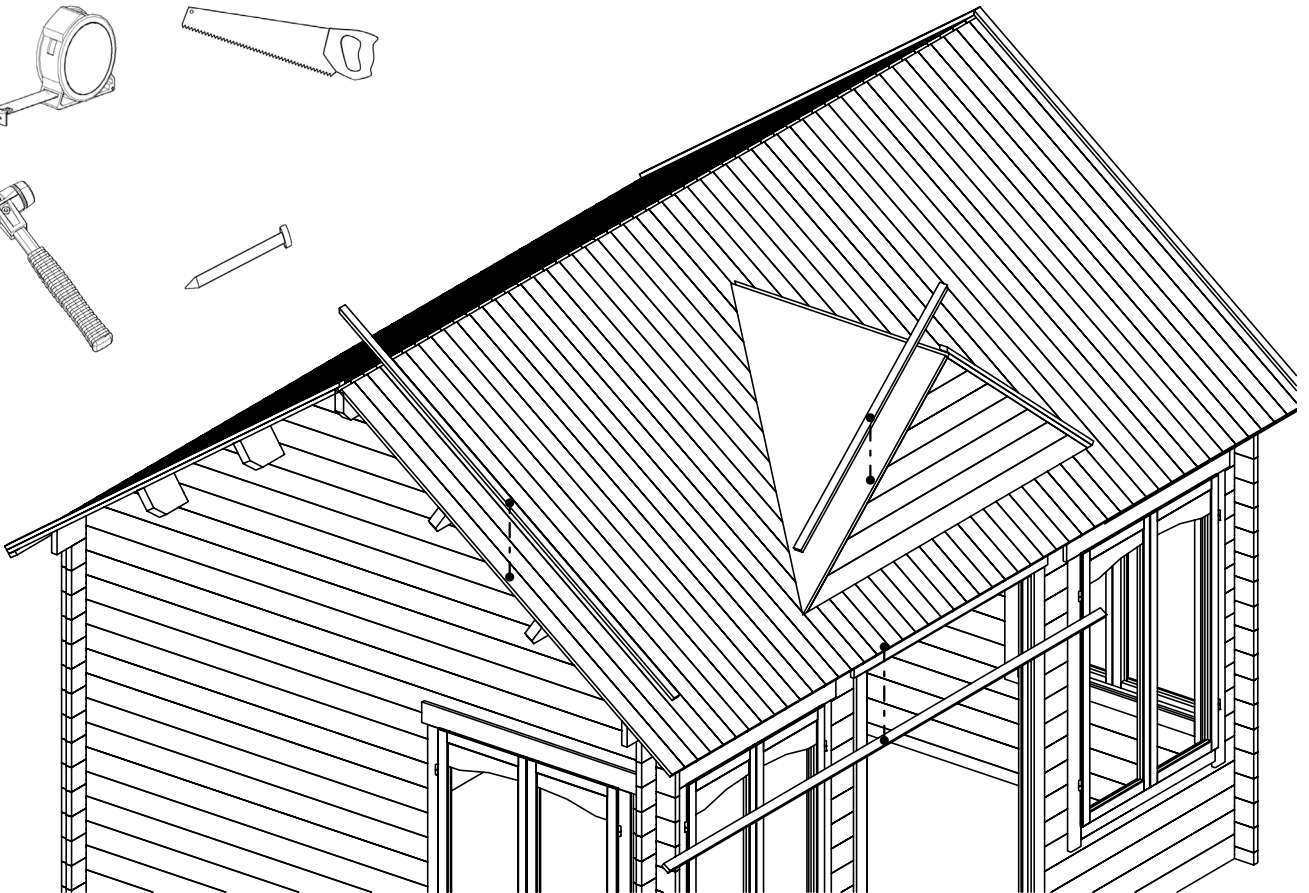
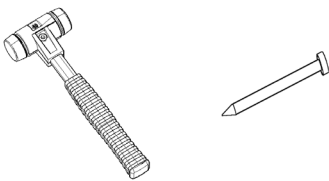
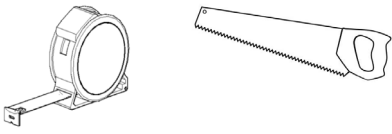
N1,8x40

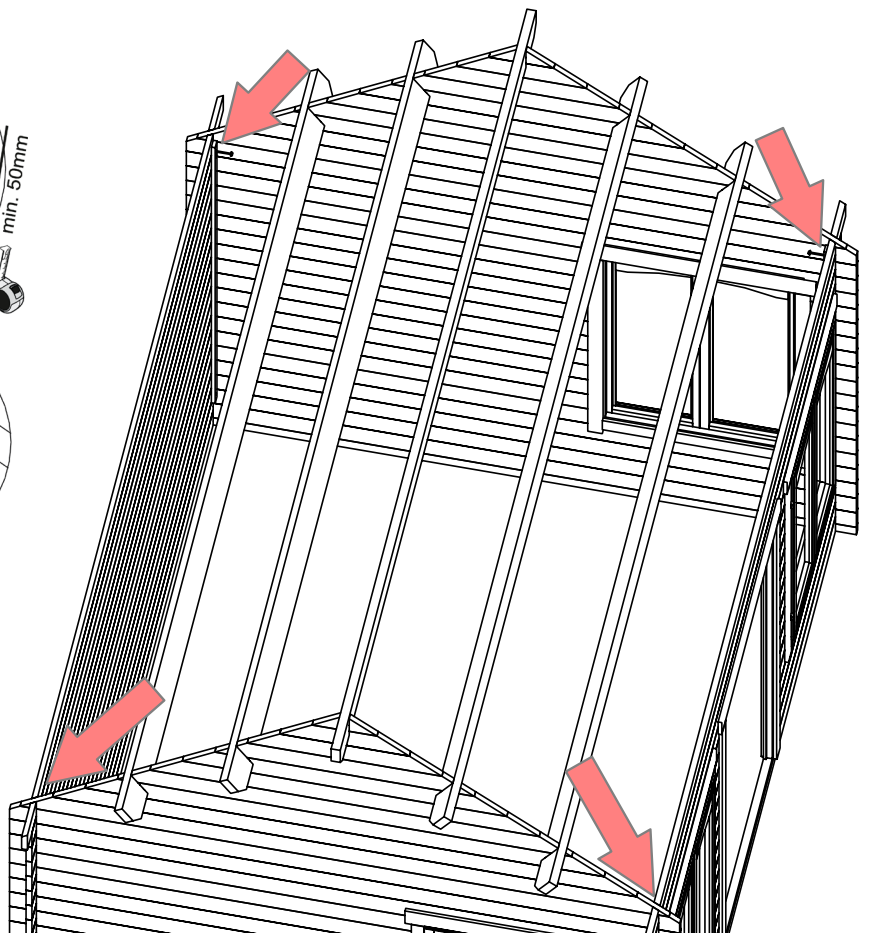
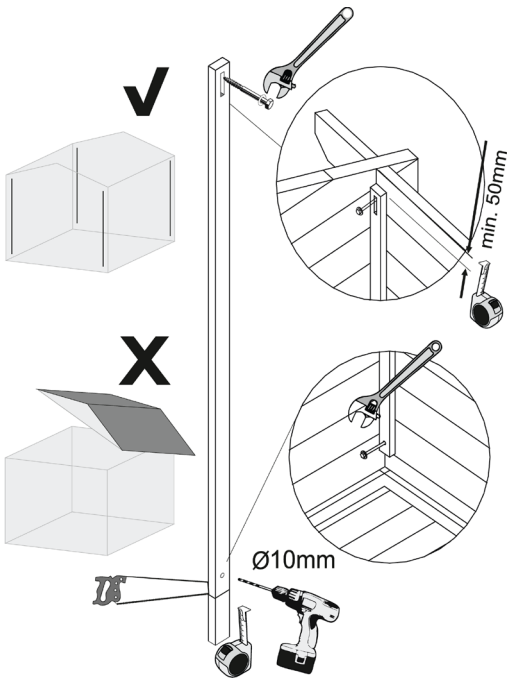
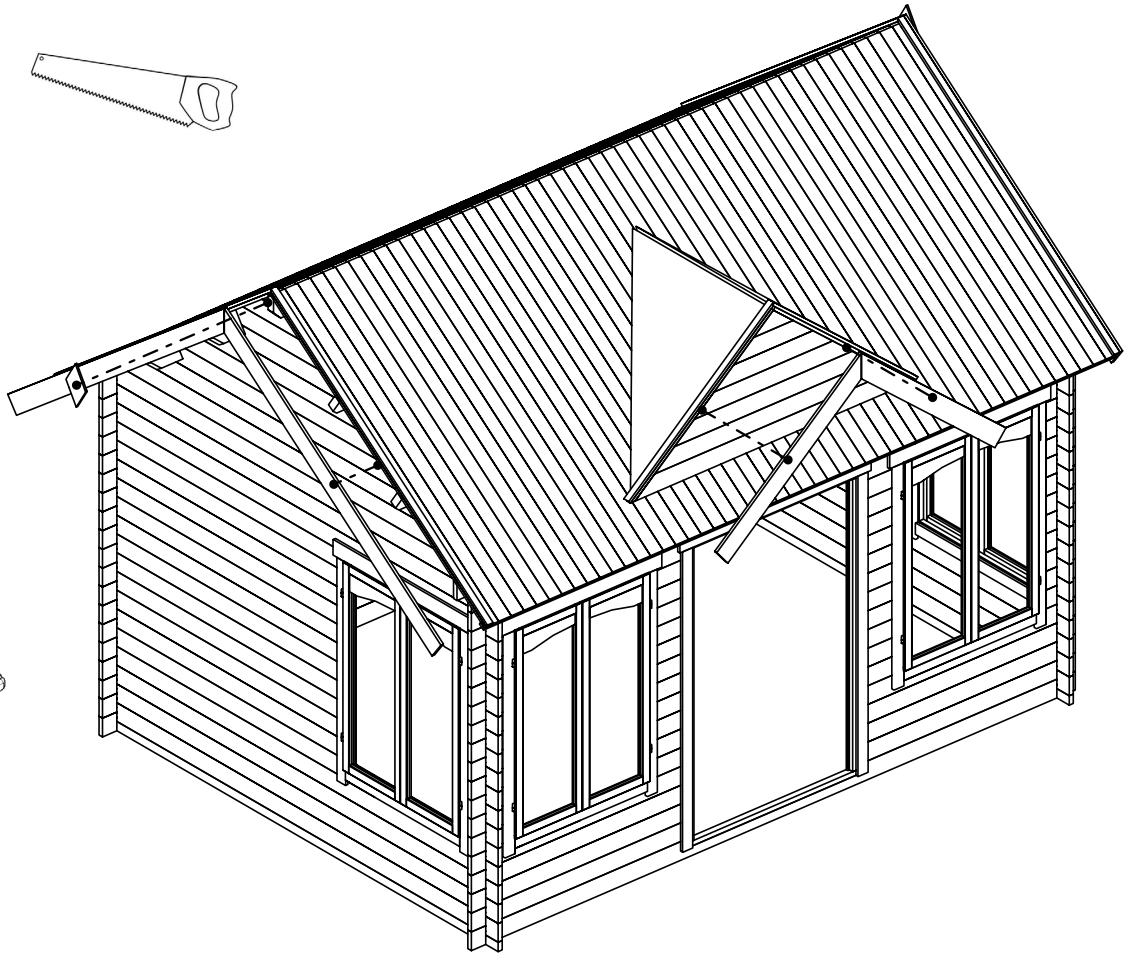
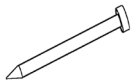
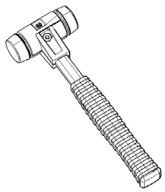
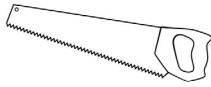
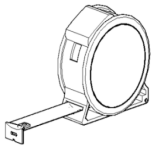


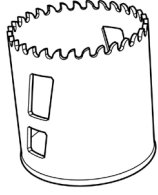
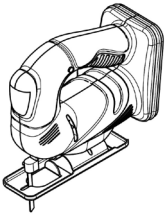
6



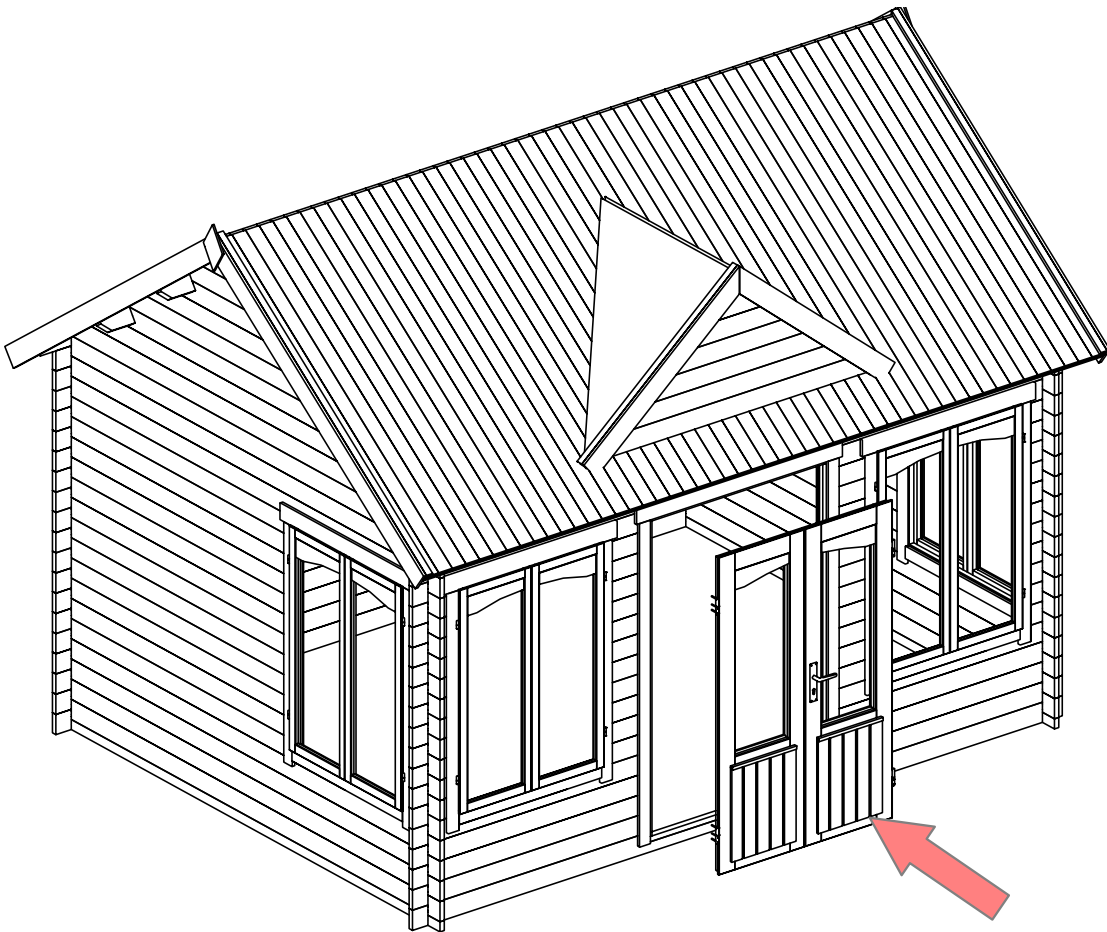
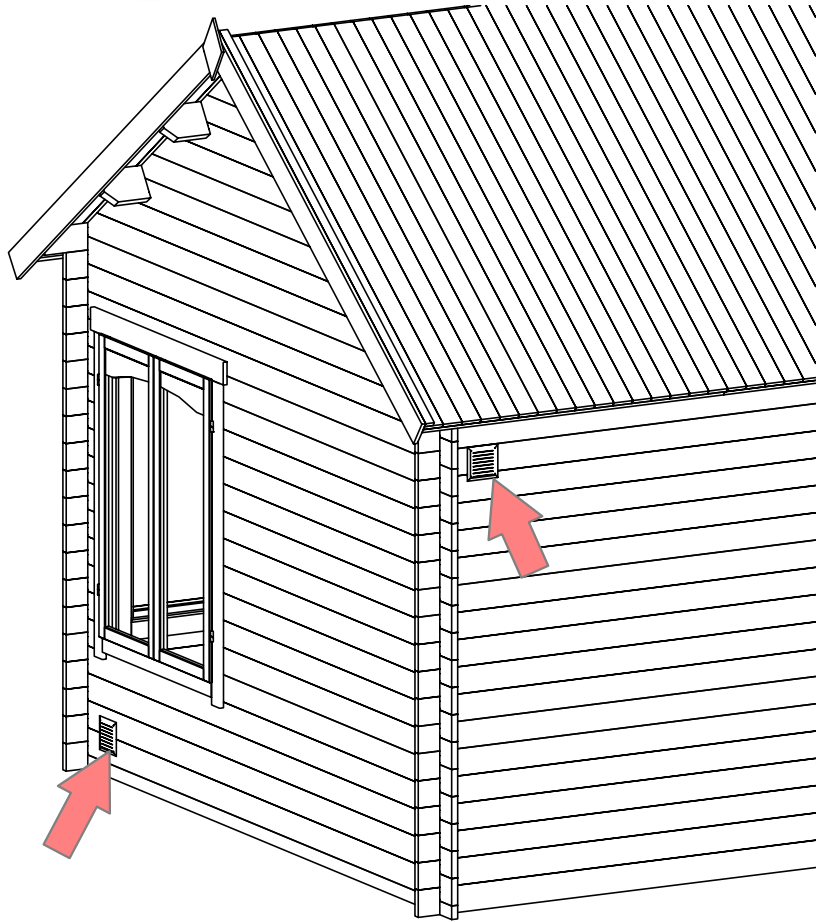
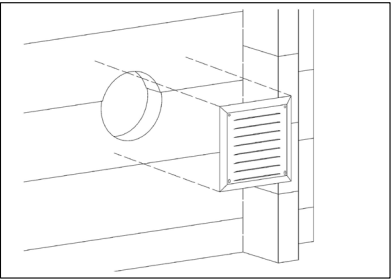
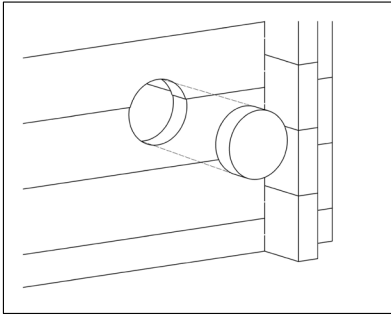
S4 x 60

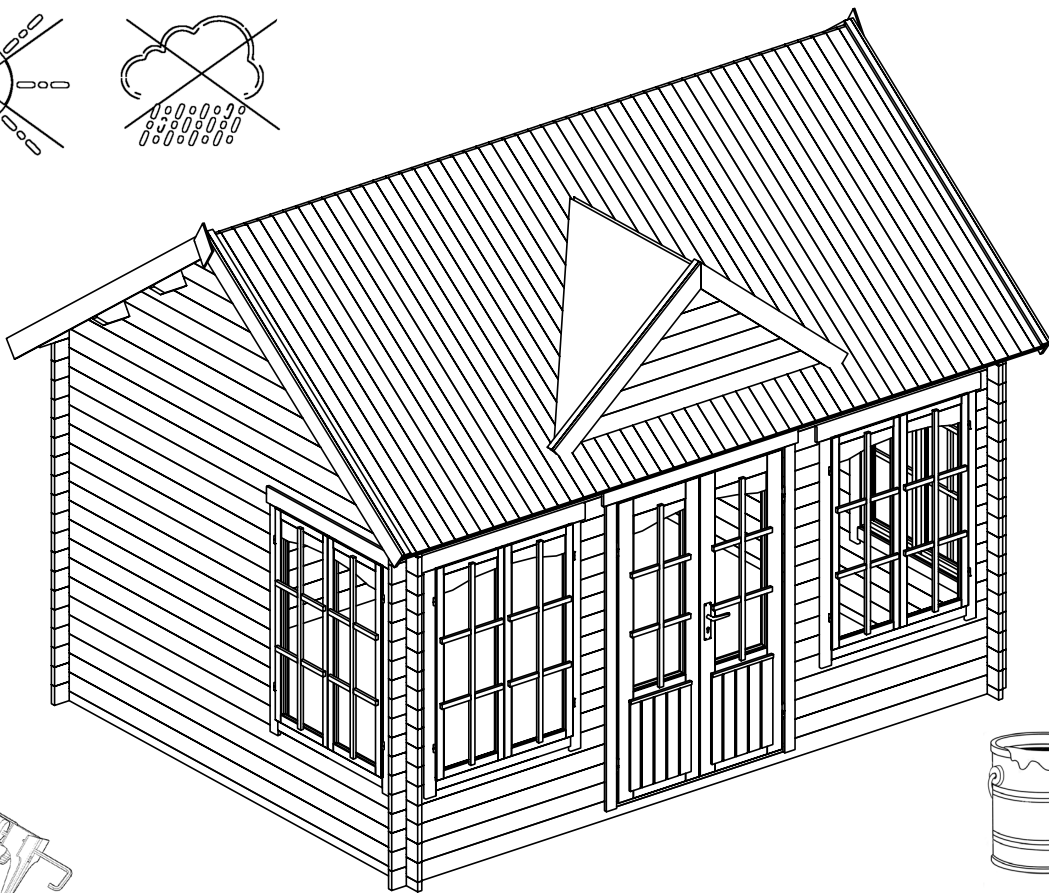
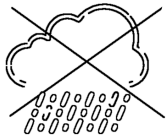
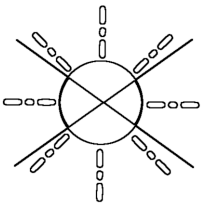
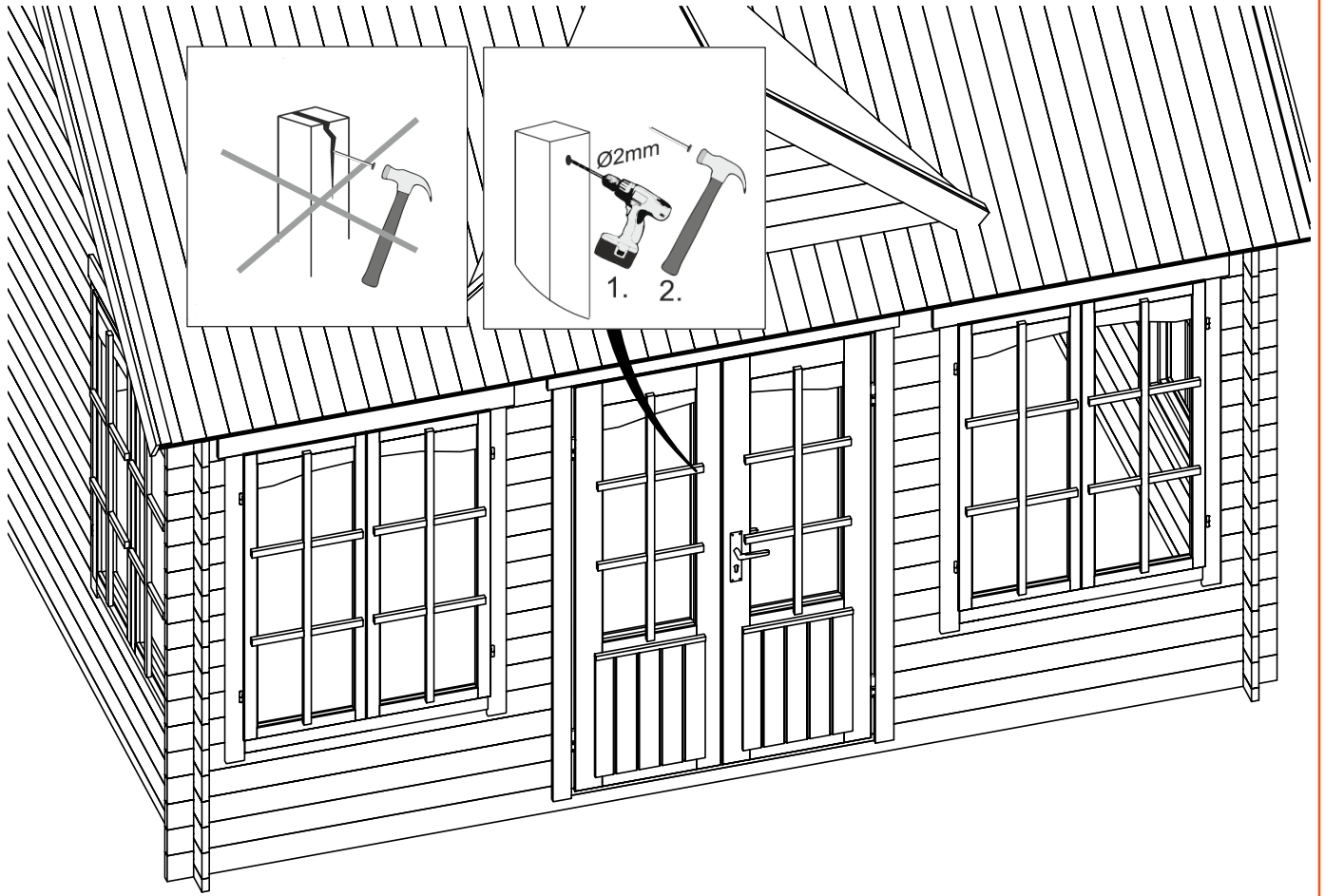


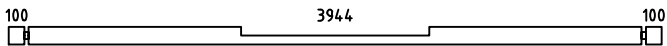
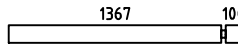
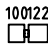
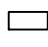
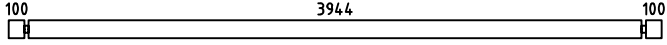
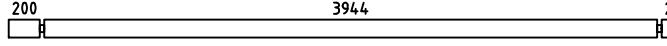
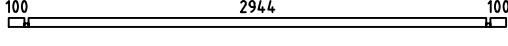
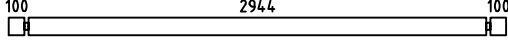
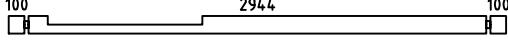
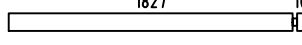
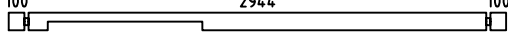
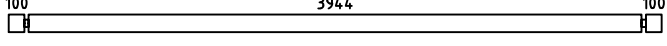
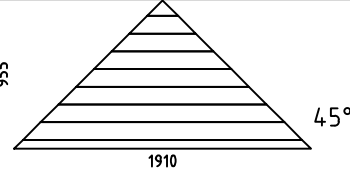
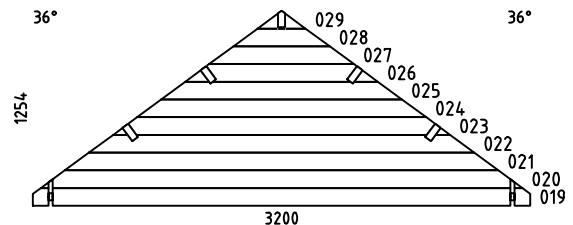
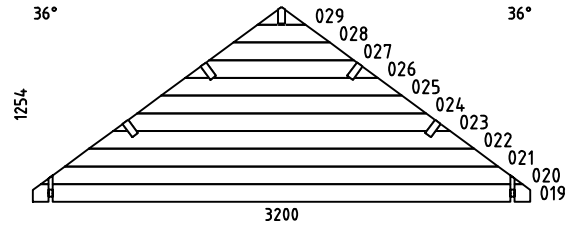
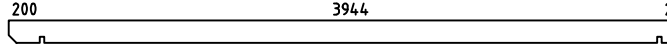
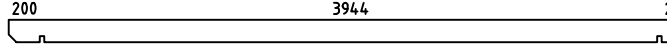
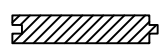


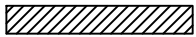
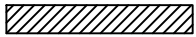

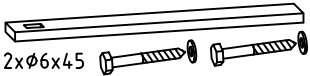


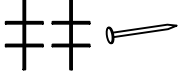





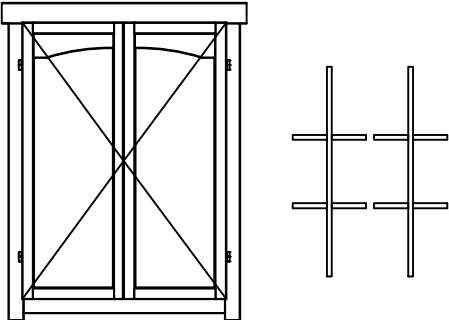
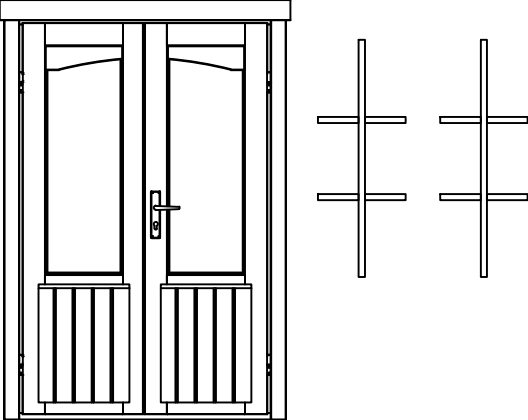


Ø ca 130mm

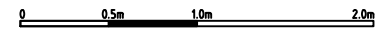
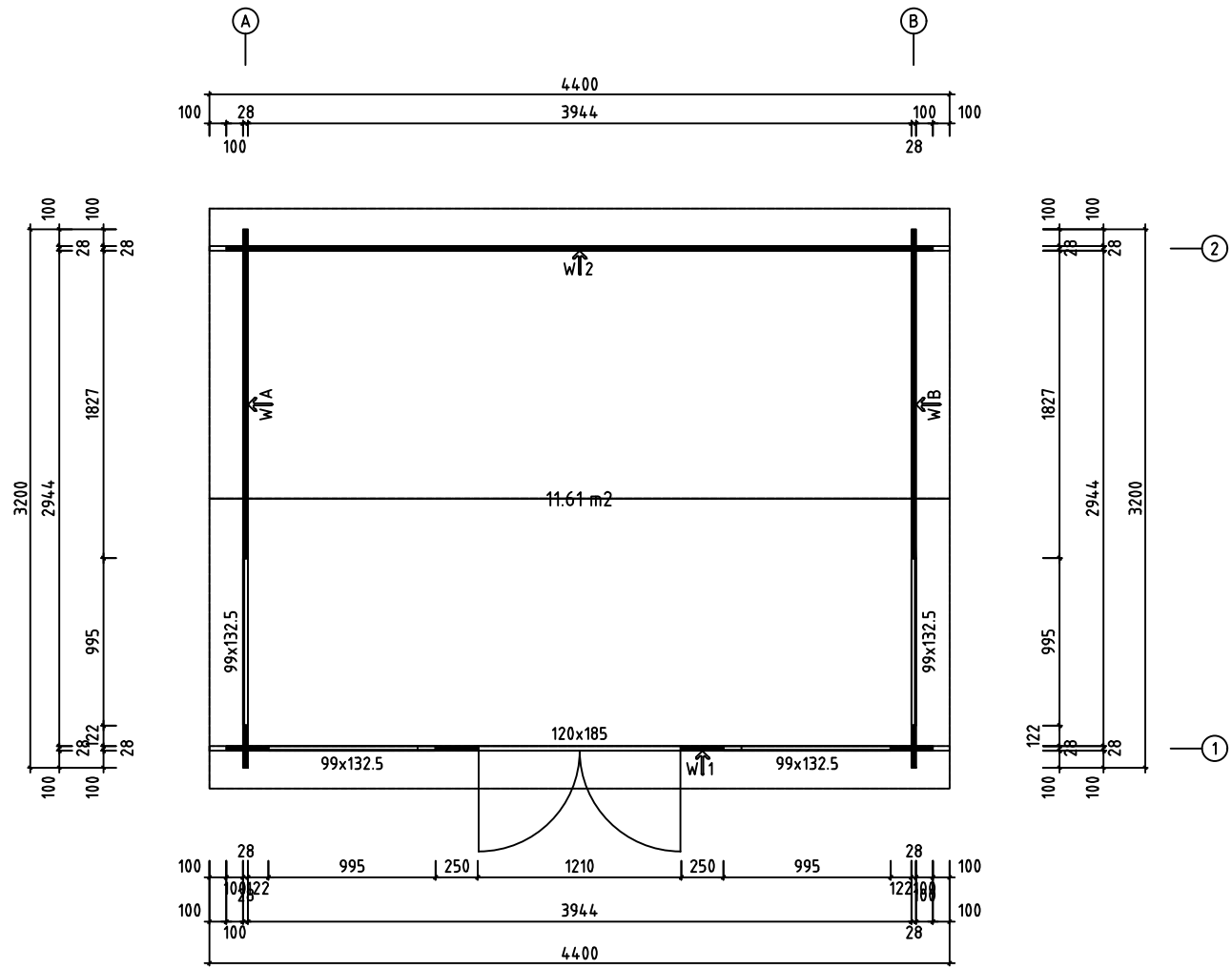




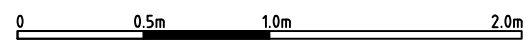
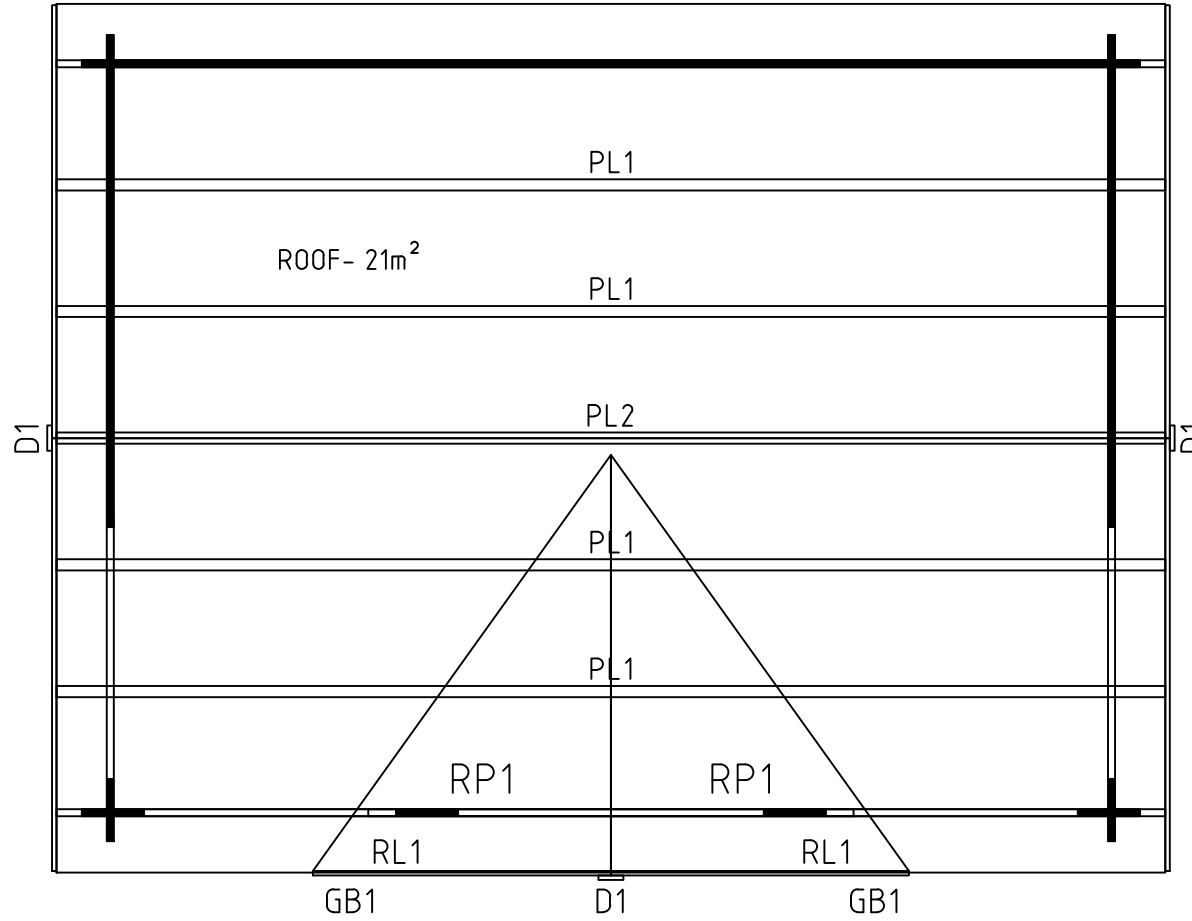
Pos	Specification-Spezifikation-Specificatie-Nomenclature-Elementi-Especificacion ClockHouse 28	Qty	Profile (mm)	Lenght (mm)		
001		1	28x114	4200		
002		8	28x114	1495		
003		46	28x114	250		
004		24	28x114	250		
005		21	28x114	4200		
006		2	28x114	4400		
014		2	28x57	3200		
015		10	28x114	3200		
016		2	28x114	3200		
017		22	28x114	1955		
018		2	28x114	3200		
EXTRA		1	28x114	4200		
W1-1		1				
WA-1		1				
WB-1		1				
PL1		4	44x144	4400		
PL2		1	44x144	4400		
R-1	Roof board-Dachbrett-Dakplank-Volige-Tavola tetto-Tabla de tejado 	100+1 78+1	88x18 114x18	2140		
Kood	ClockHouse 28	Materjal	File	ClockHouse 28 dwg.	Leht	1/2


Pos	Specification-Spezifikation-Specificatie-Nomenclature-Elementi-Especificacion ClockHouse 28	Qty	Profile (mm)	Lenght (mm)		
GB-1	Gable board 120-Giebelblende-Gevelplank-Planche de rive-Tavola di bordo-Tabla de borde 	2	18x120	1500		
GB-2	Gable board 120-Giebelblende-Gevelplank-Planche de rive-Tavola di bordo-Tabla de borde 	4	18x120	2180		
RL-1	Roofing lath 2000-Giebelleiste-Gevellijst-Latte de rive-Listello di bordo-Listones de borde 	11	18x40	22rmt.		
SS-1	Storm slat kit-Sturmleiste satz-Stormanker set-Kit de latte anti tempête-Kit listello di tempesta-Kit liston anti tormenta 	4	18x40	2000		
D	Diamond 	2				
	Double door kit-Doppeltür satz-Dubbele deur set-Kit double porte-Kit porta-Kit para puerta 	1				
	Nail 1.6x30-Nagel-Spijker-Clou-Chiodo-Clavo 	65	1.6x30			
	Nail 1.8x40-Nagel-Spijker-Clou-Chiodo-Clavo 	725	1.8x40			
RP1	Roof panel 1-Dach elemente-Dakpanelen-Panneau de toit-Pannelo da tetto-Panel de tejado 	1+1	1415x1350			
S4x60	Screw 4x60-Schraube-Schroef-Vis-Vite-Tornillo 	20	4x60			
	Ventilation panel kit-Außengitter-Schoepenrooster-Panneau de ventilation-Griglia di ventilazione-Rejilla de ventilacion 	1				
	Window handle set-Fenstergriff-Raamgreep-Ferrure de fenêtre-Ferramenta finestra-Manilla ventana 	8				
	WINDOW 990x1325 DW0-6T Arc 990x1325-28 	4				
	DOOR 1200x1850 DD06-6 Arc F 1200x1850-28 	1				
Kood	ClockHouse 28	Materjal	File	ClockHouse 28 dwg.	Leht	2/2

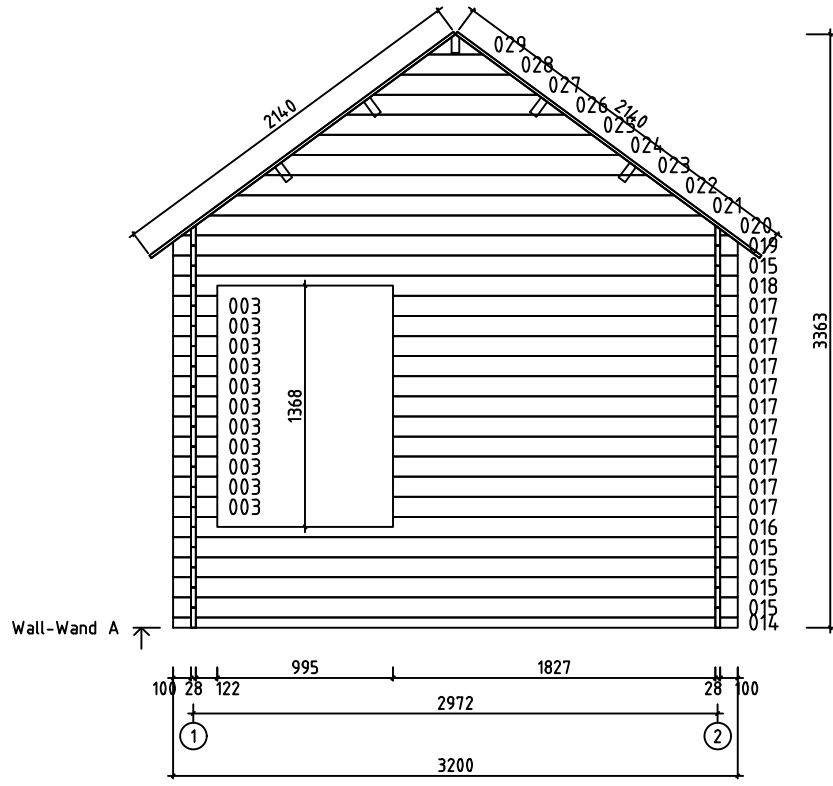
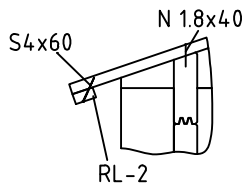
H = 1.600 m
TOTAL: 11.61 m²



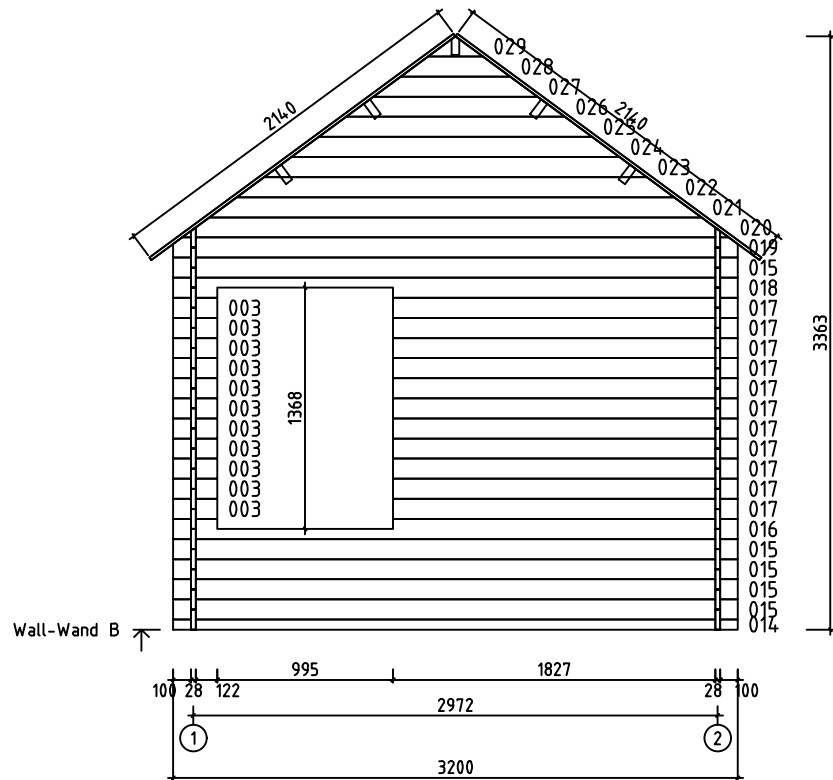
Model	ClockHouse 28		Drawing	PLAN	Page			
			Drawn by	R.T	Material	28x114	Scale	1:30
			Date	12.04.2023	File	ClockHouse 28 dwg.		




Model	ClockHouse 28		Drawing	ROOF	Page	
	Drawn by	R.T	Material	28x114	Scale	1:30
	Date	12.04.2023	File	ClockHouse 28 dwg.		

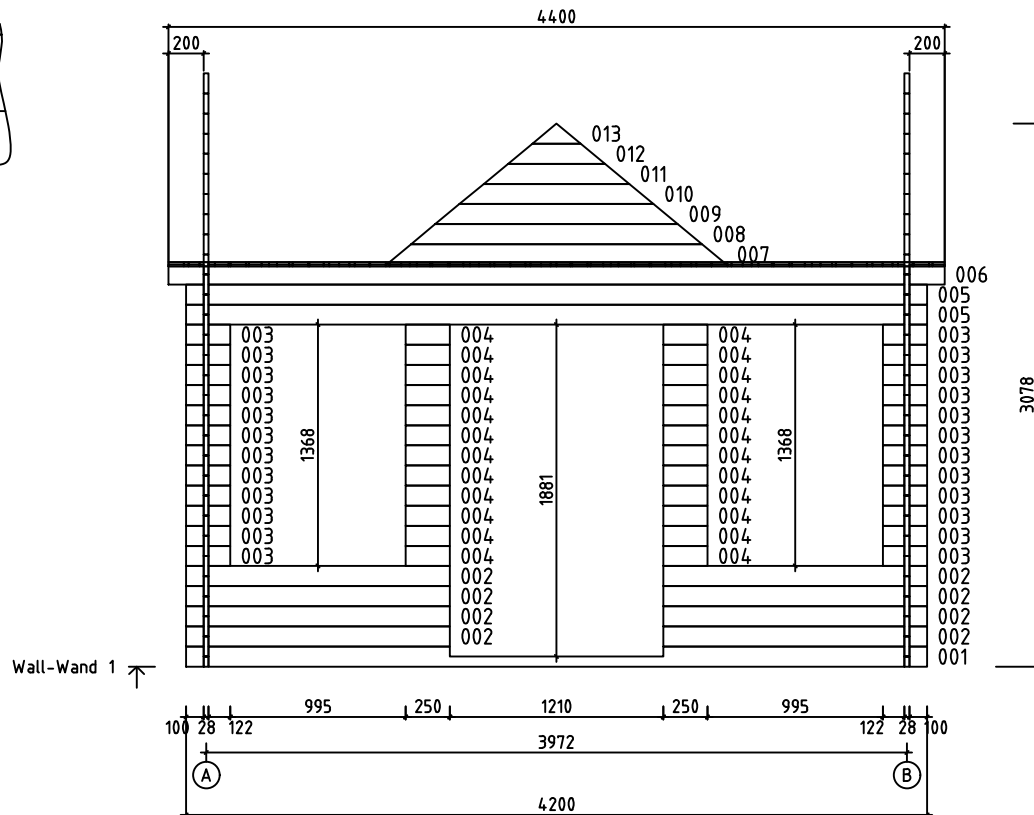
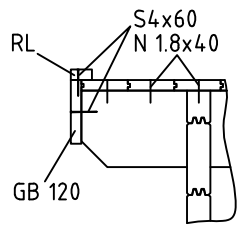


Model	ClockHouse 28	Drawing	WALL A
		Page	2
	Drawn by	R.T	Material 2.8x11.4
	Date	12.04.2023	Scale 1:30
		File	ClockHouse 28 dwg.



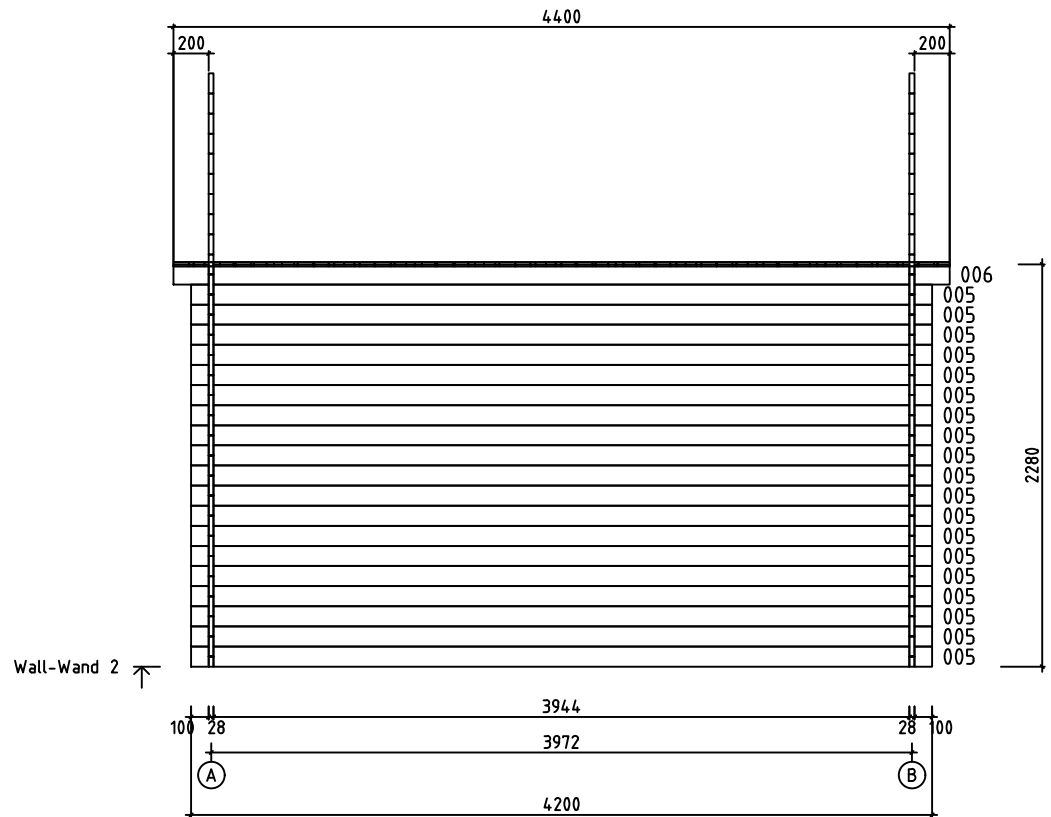
0 0.5m 1.0m 2.0m

Model	ClockHouse 28	Drawing	WALL B	Page	3	
	Drawn by	R.T	Material	2.8x11.4	Scale	1:30
	Date	12.04.2023	File	ClockHouse 28 dwg.		




0 0.5m 1.0m 2.0m

Model	ClockHouse 28	Drawing	WALL 1	Page	4
		Drawn by	R.T	Material	2.8x11.4
		Date	12.04.2023	File	ClockHouse 28 dwg.



0 0.5m 1.0m 2.0m

Model	ClockHouse 28	Drawing	WALL 2	Page	5	
	Drawn by	R.T	Material	2.8x11.4	Scale	1:30
	Date	12.04.2023	File	ClockHouse 28 dwg.		