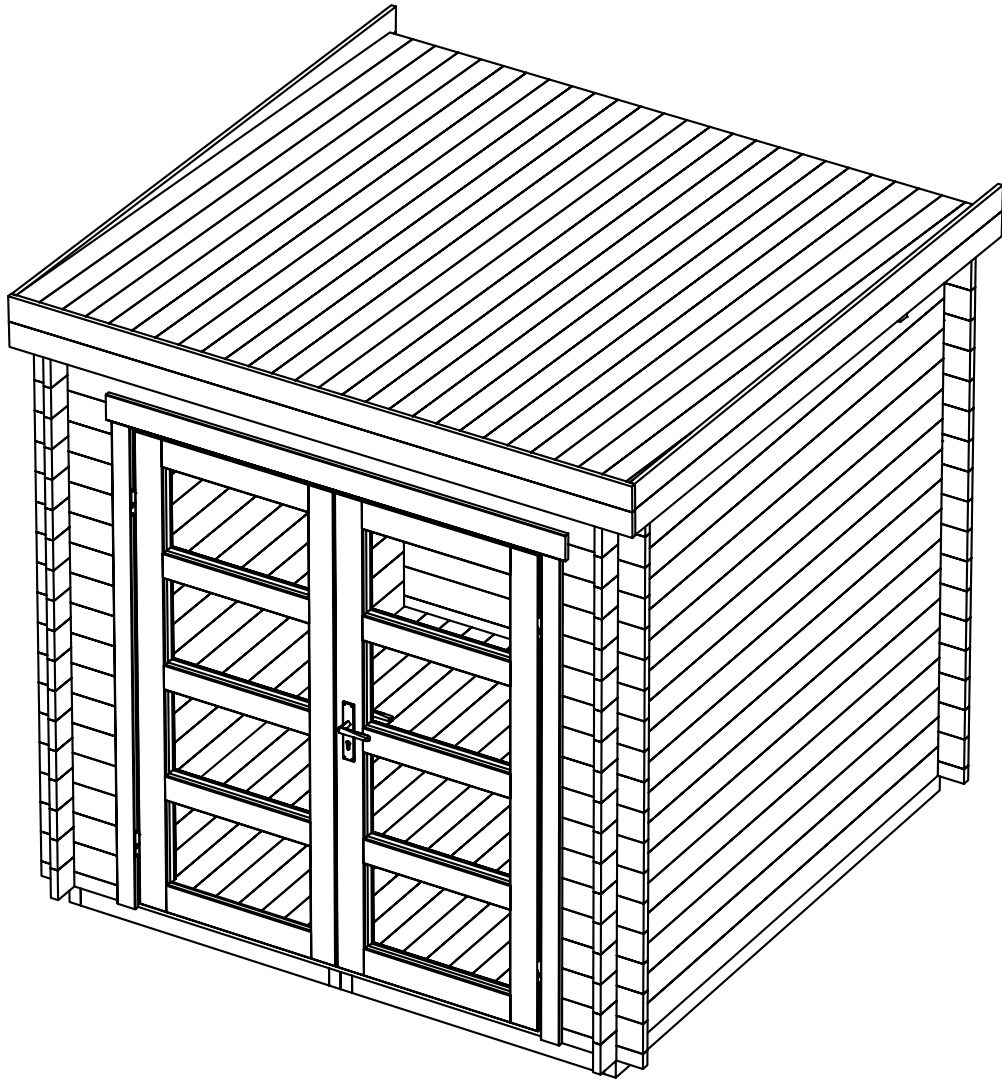
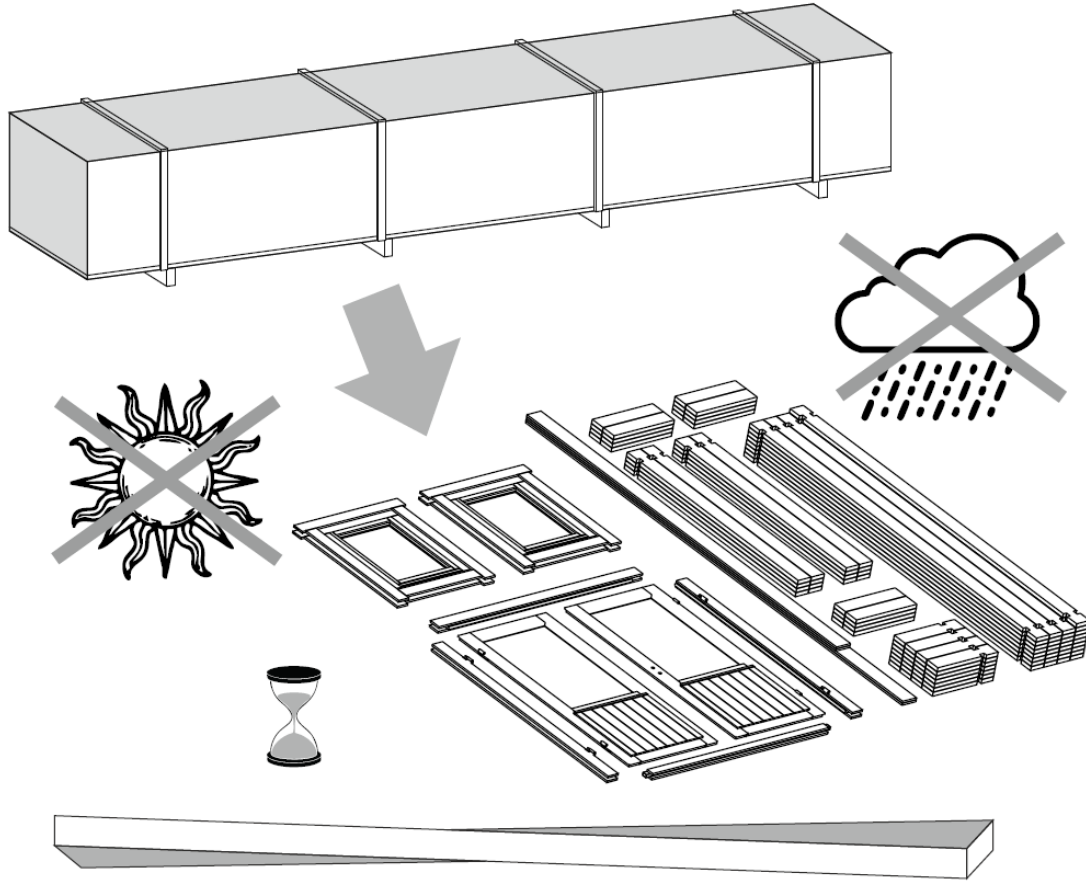
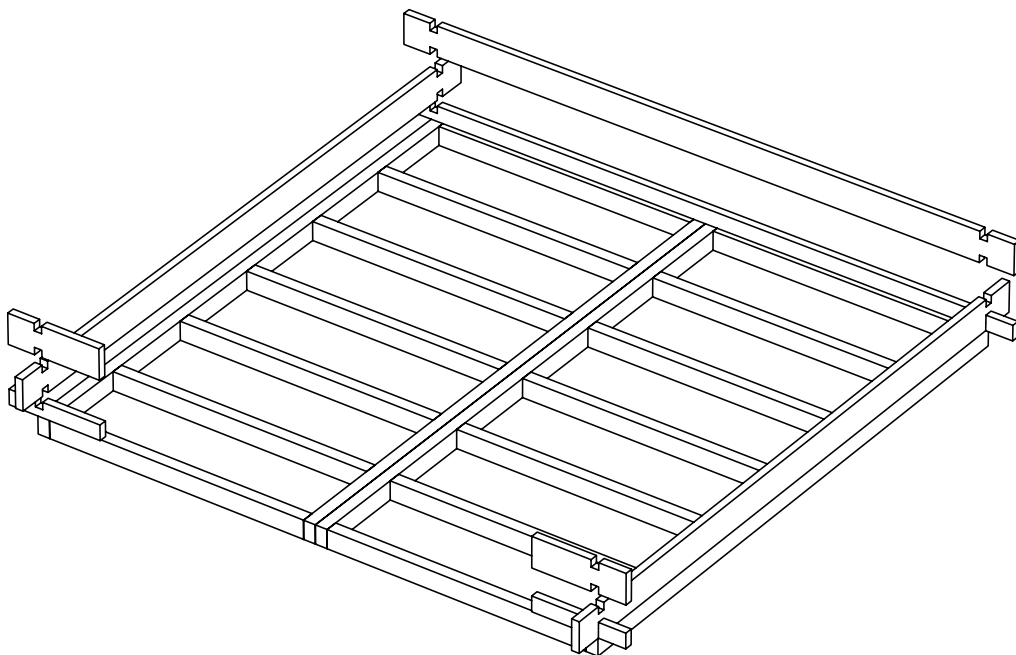
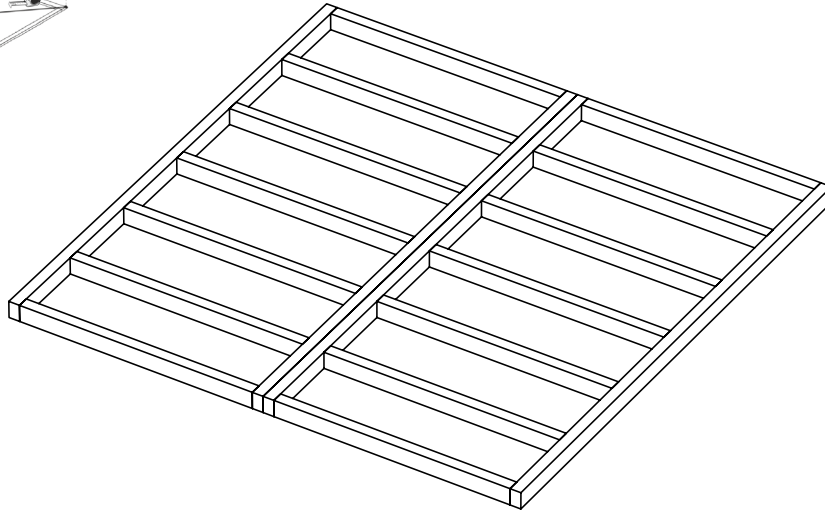
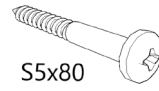
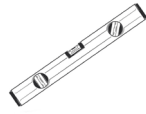
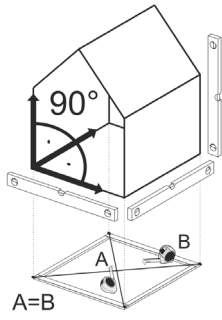


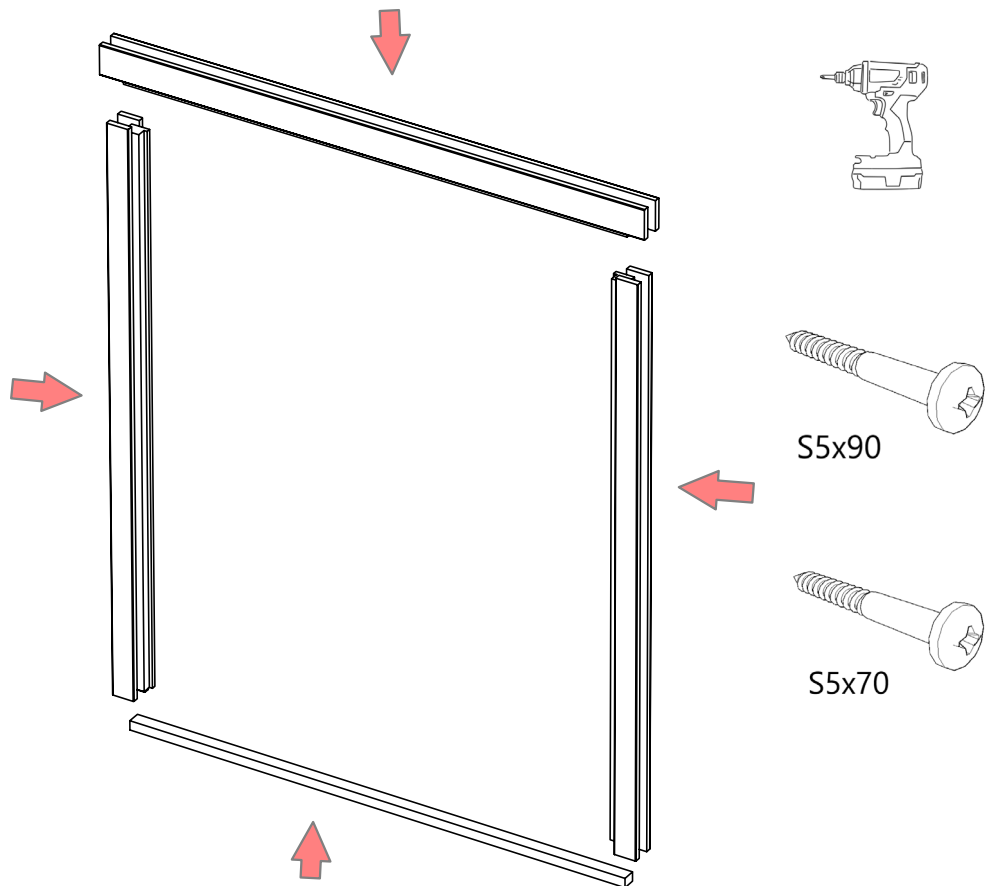
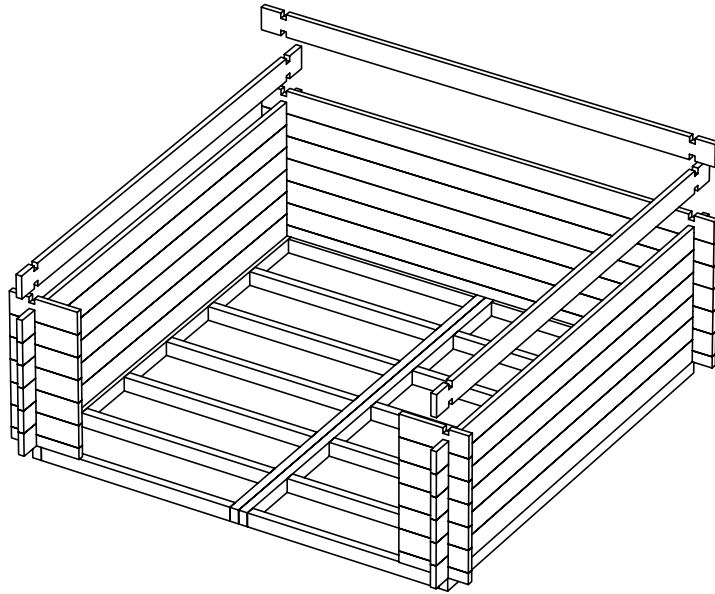
Alphol 



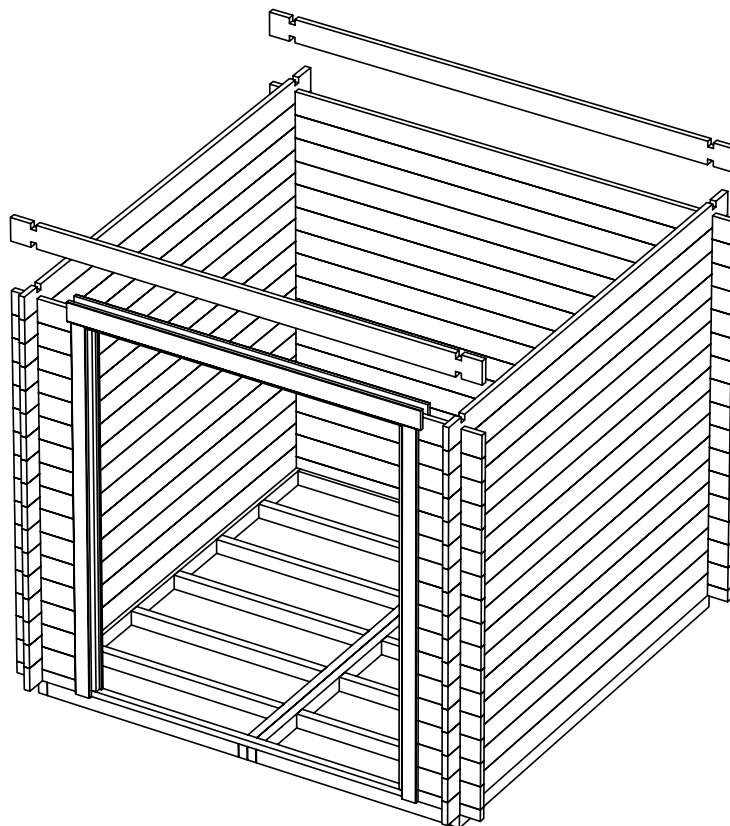
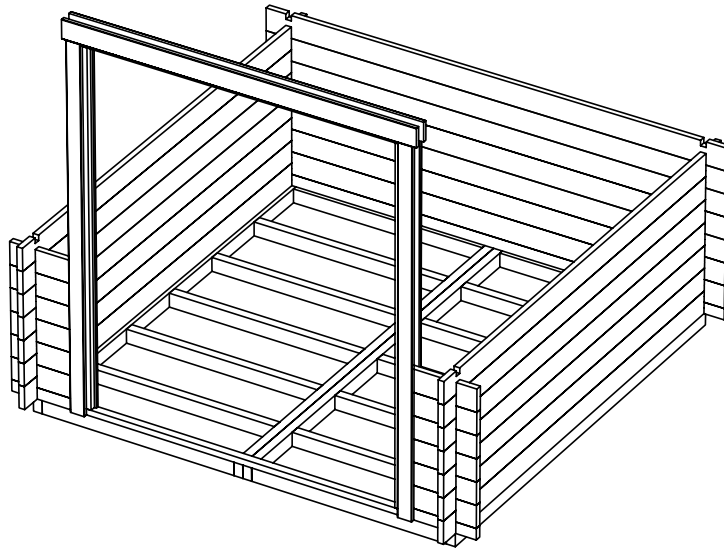
Flat Pallet 2,3x2,3

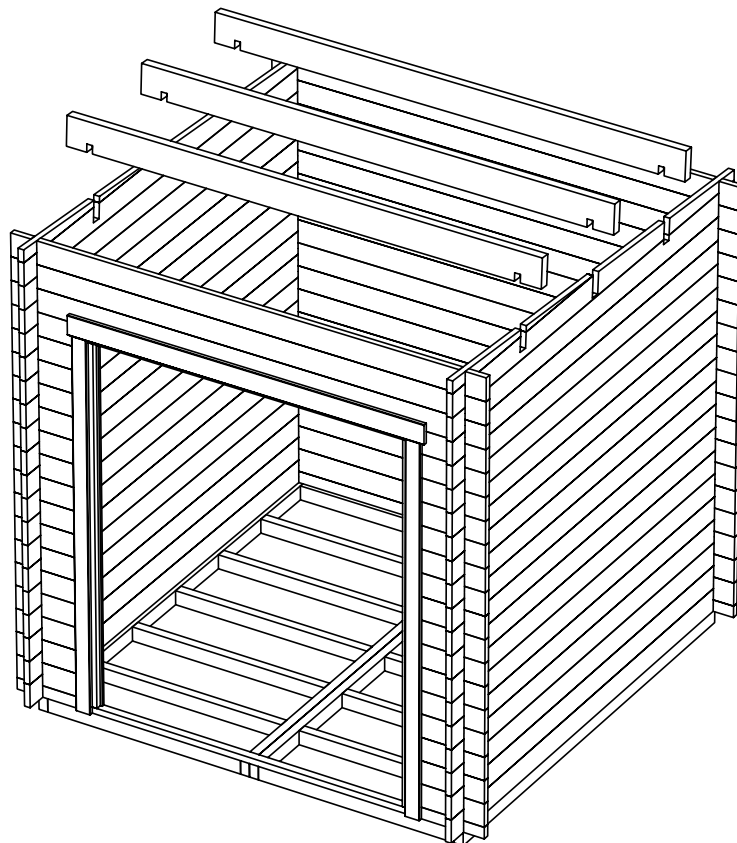
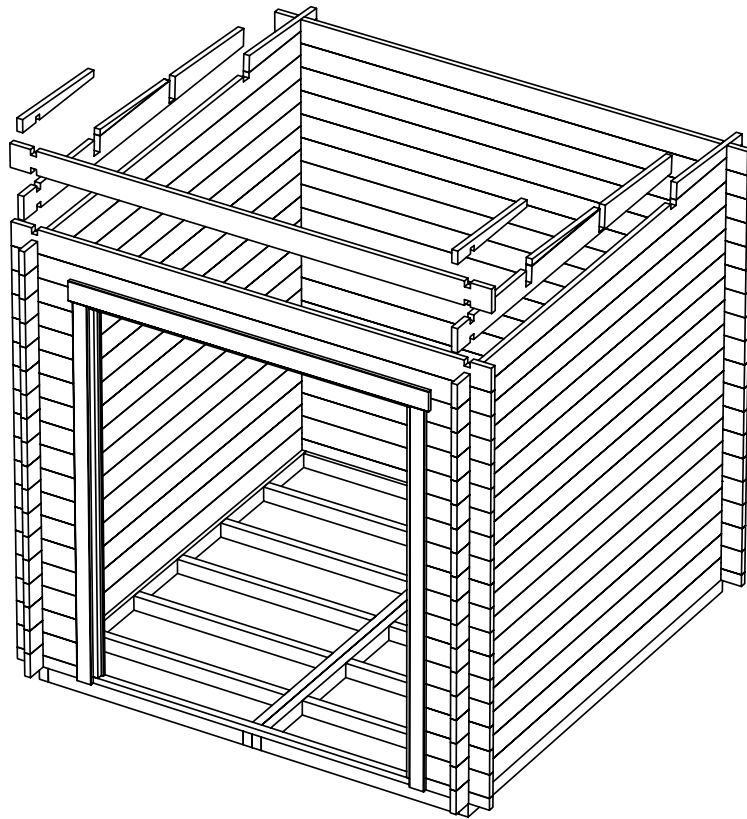


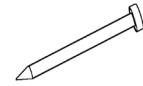
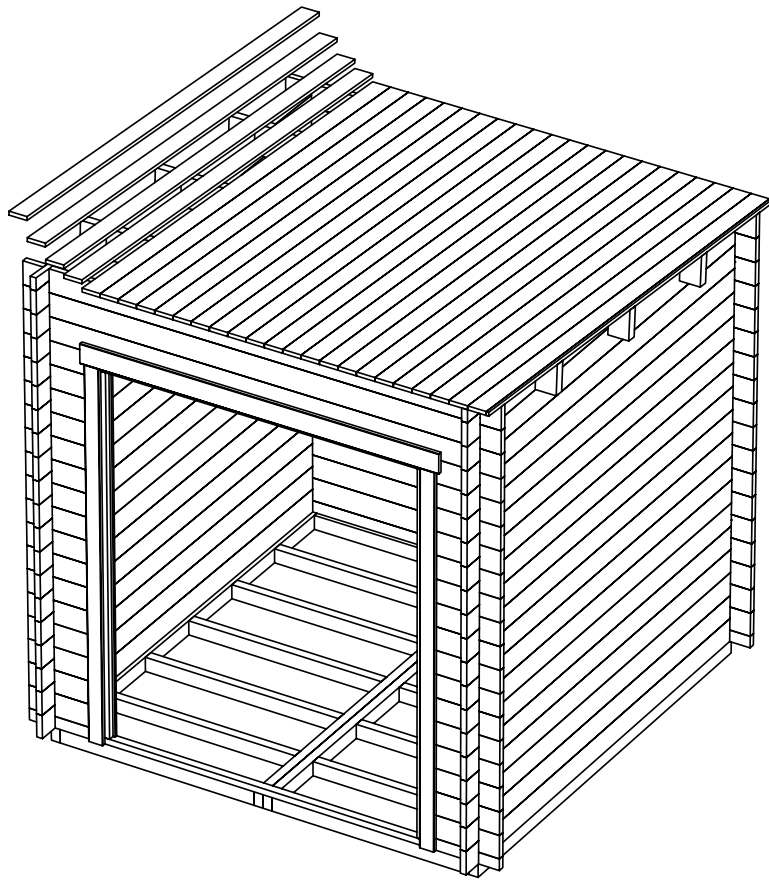




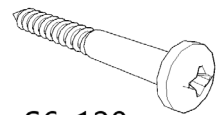
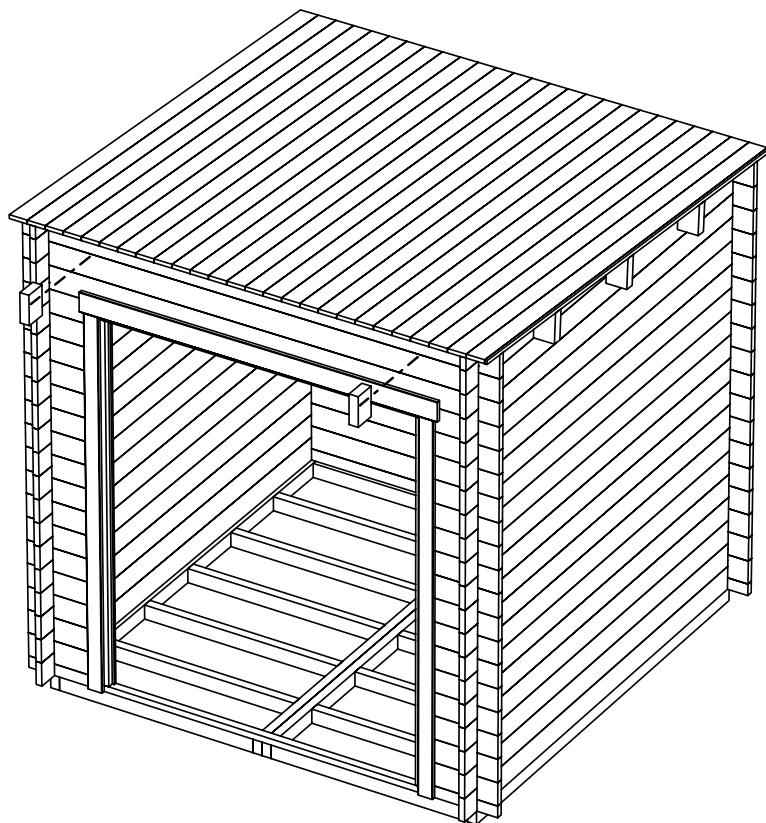
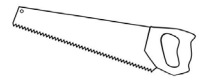
2



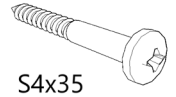
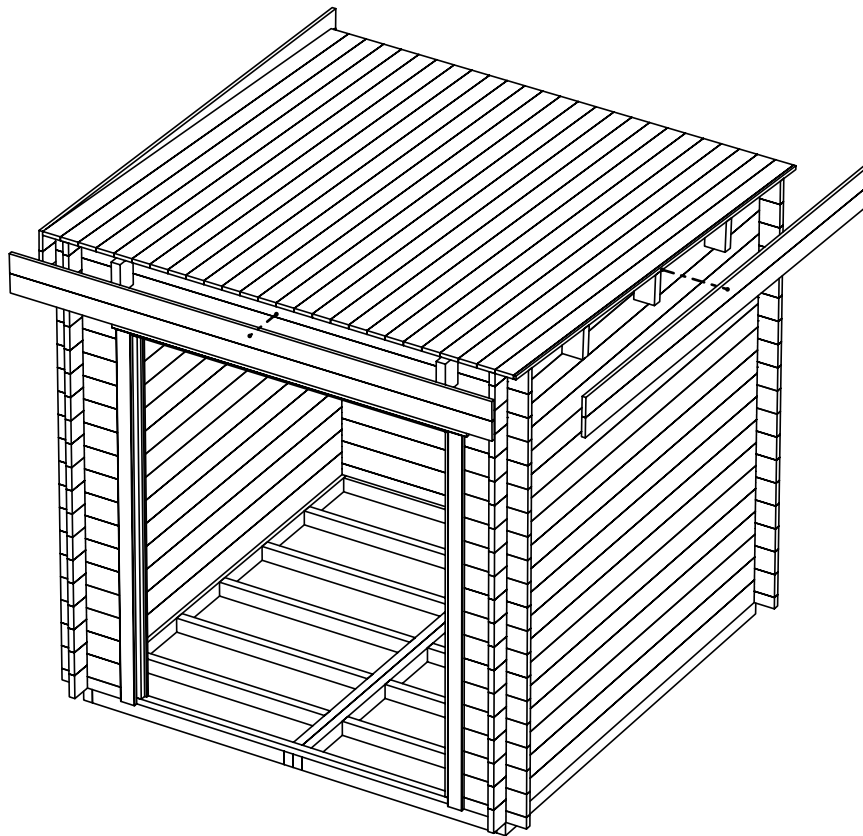




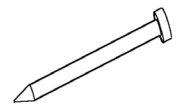
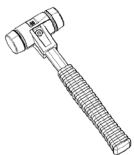
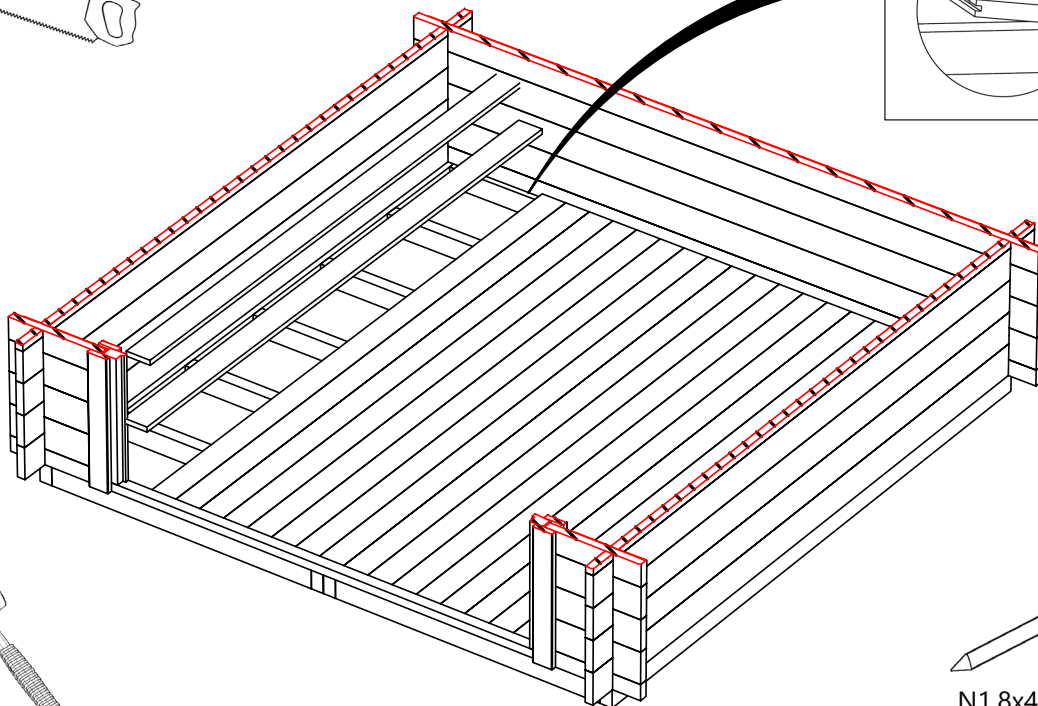
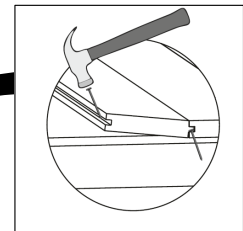
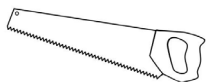
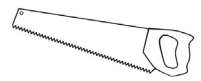
N1,8x40



S6x120

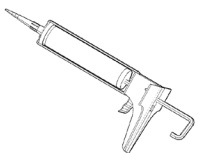
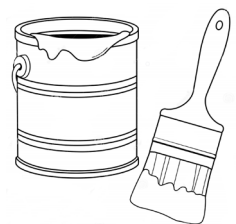
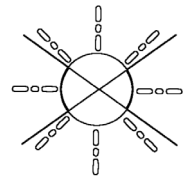
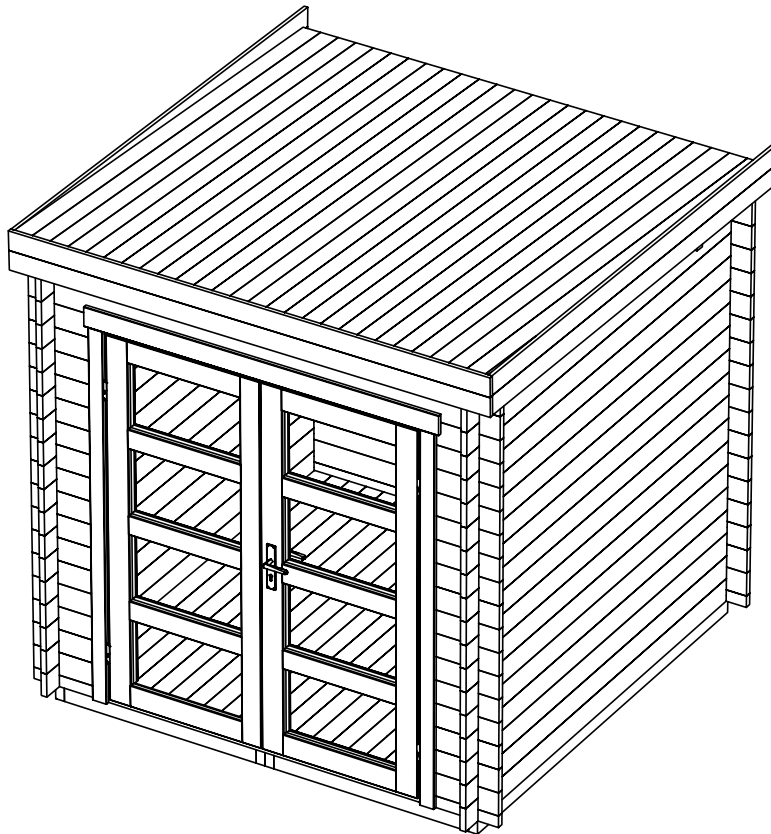
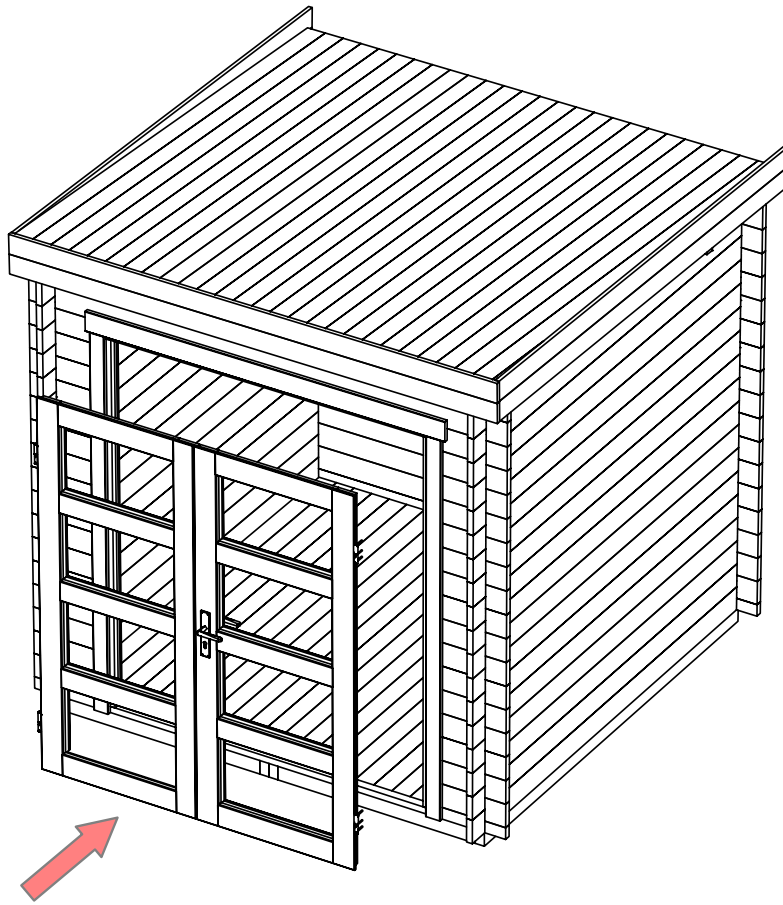


S4x35

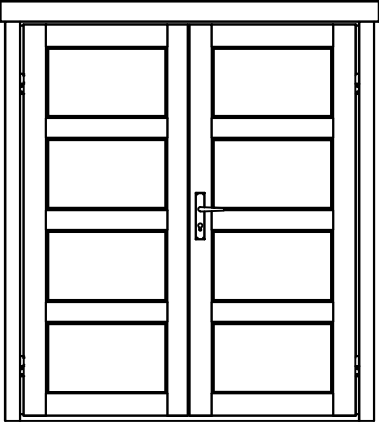


N1,8x40

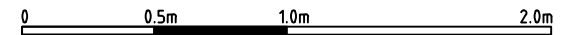
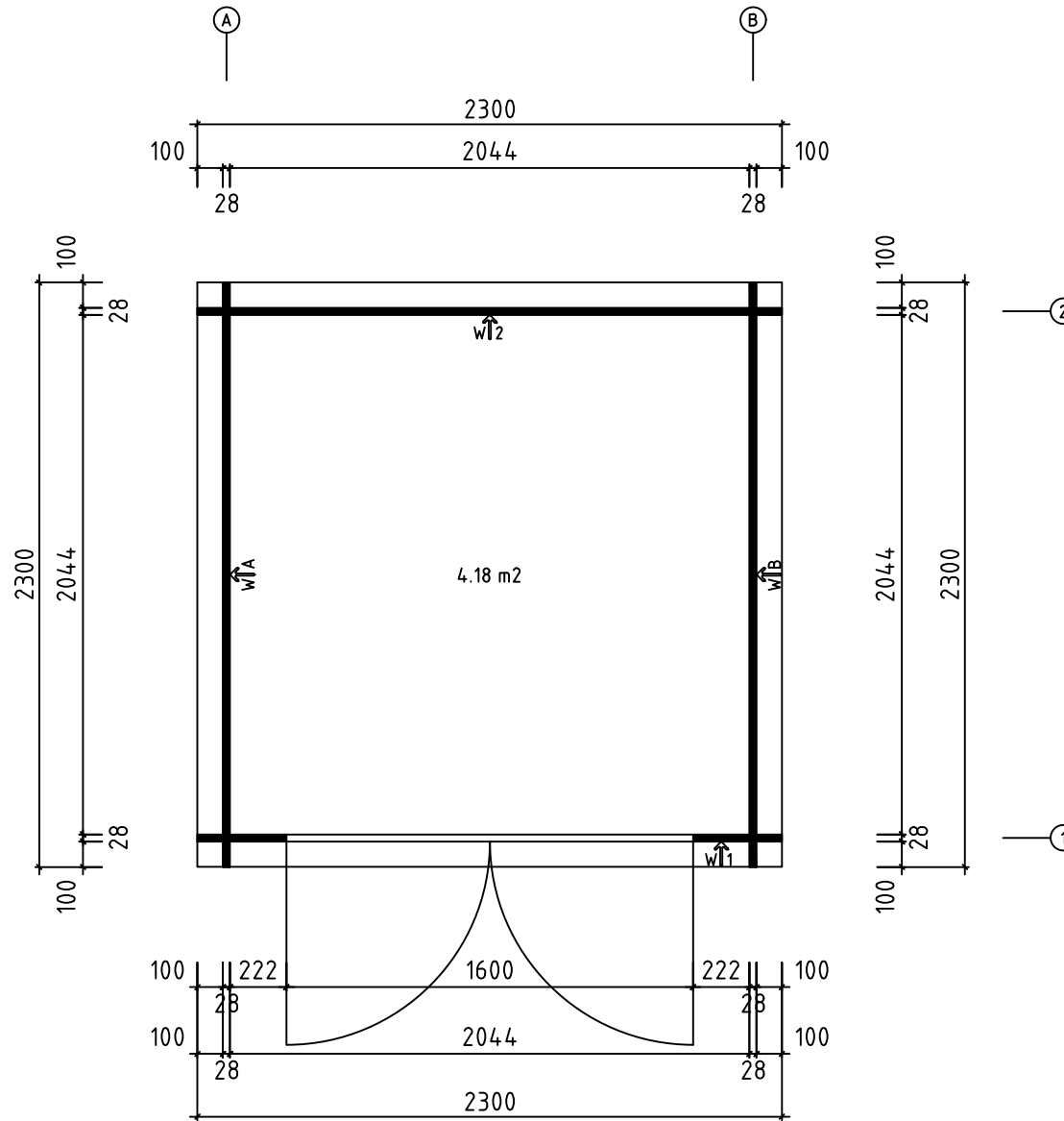
6



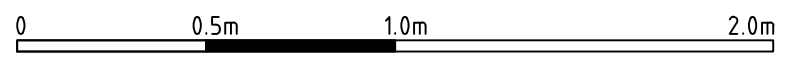
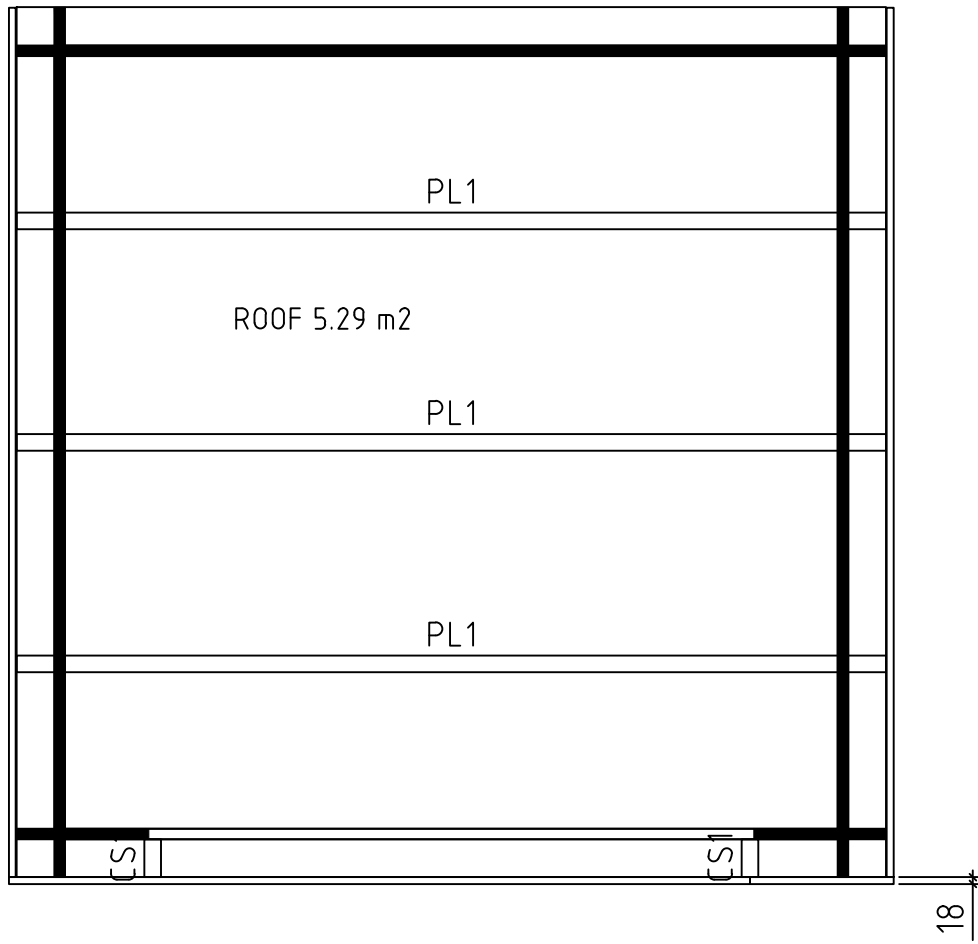
Pos	Specification-Spezifikation-Specificatie-Nomenclature-Elementi-Especificacion 2,3x2,3 Flat pallet house	Qty	Profile (mm)	Lenght (mm)
001		2	28x57	345
002		32	28x114	345
003		53	28x114	2300
004		1	28x113	2300
005		1	28x57	2300
006		1	28x114	2300
EXTRA1		1	28x114	2300
WA-1		1		
WB-1		1		
F1	FOUNDATION-FUNDAMENT-FONDATION-FONDAZIONE-VIGAS DE CIMENTACIÓN 	4	44x70	2090
F2	FOUNDATION-FUNDAMENT-FONDATION-FONDAZIONE-VIGAS DE CIMENTACIÓN 	14	44x70	957
CS1	CORNICE SUPPORT-TRAGELEISTE-STEUNEN BAR-SUPPORT-SUPPORTO-SOPORTE 	2	44x144	100
PL1	PURLIN-DAKBALK-DACHPFETTE-PANNE-ARCARECCIO-CORREA 	3	44x144	2300
F-1	Floor board-Fussbodenbrett-Vloerplank-Lame de plancher-Tavola pavimento-Tabla de suelo 	24 18	88x18 114x18	2034
R-1	Roof board-Dachbrett-Dakplank-Volige-Tavola tetto-Tabla de tejado 	27+1 21+1	88x18 114x18	2305
GB-1	Gable board 95-Giebelblende-Gevelplank-Planche de rive-Tavola di bordo-Tabla de borde 	6	18x95	2340
	Double door kit ISO-Doppeltür satz-Dubbele deur set-Kit double porte-Kit porta-Kit para puerta 	1		
	Nail 1.8x40-Nagel-Spijker-Clou-Chiodo-Clavo 	380	1.8x40	
S4x35	Screw 4x35-Schraube-Schroef-Vis-Vite-Tornillo 	50	4x35	
S5x80	Screw 5x80-Schraube-Schroef-Vis-Vite-Tornillo 	70	5x80	
S6x120	Screw 6x120-Schraube-Schroef-Vis-Vite-Tornillo 	5	6x120	
Model	2,3x2,3 Flat pallet house	Material	Page	1/2

Pos	Specification-Spezifikation-Specificatie-Nomenclature-Elementi-Especificacion 2,3x2,3 Flat pallet house	Qty	Profile (mm)	Lenght (mm)
	<p style="text-align: center;">DOOR 1600x1850 DD4B F 1600x1850-28</p> 	1		
Model	2,3x2,3 Flat pallet house	Material	Page 2/2	

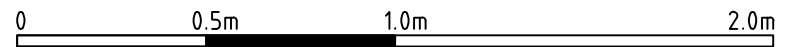
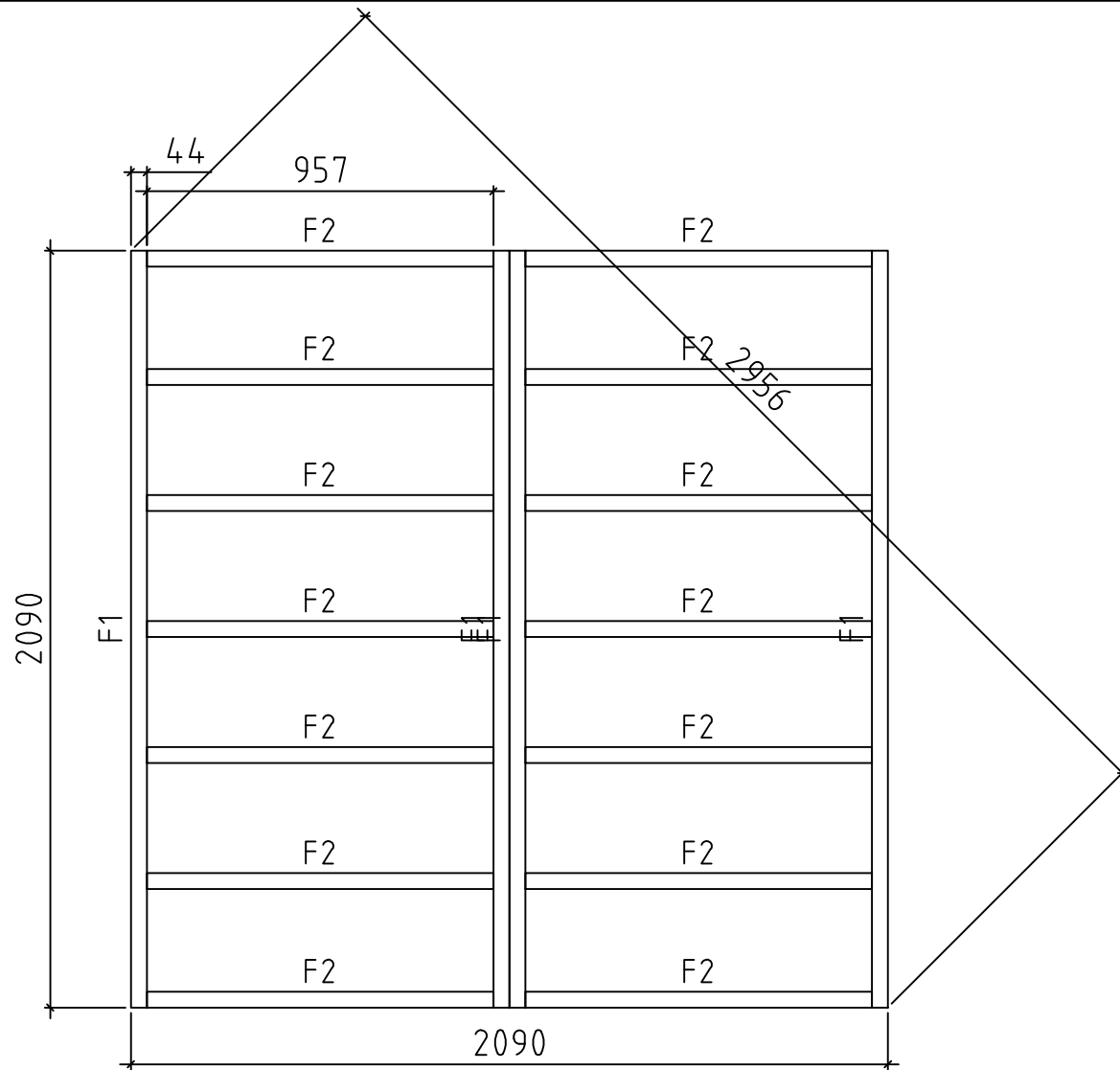
H = 1.600 m
 TOTAL: 4.18 m²



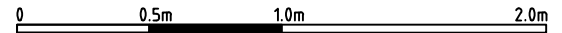
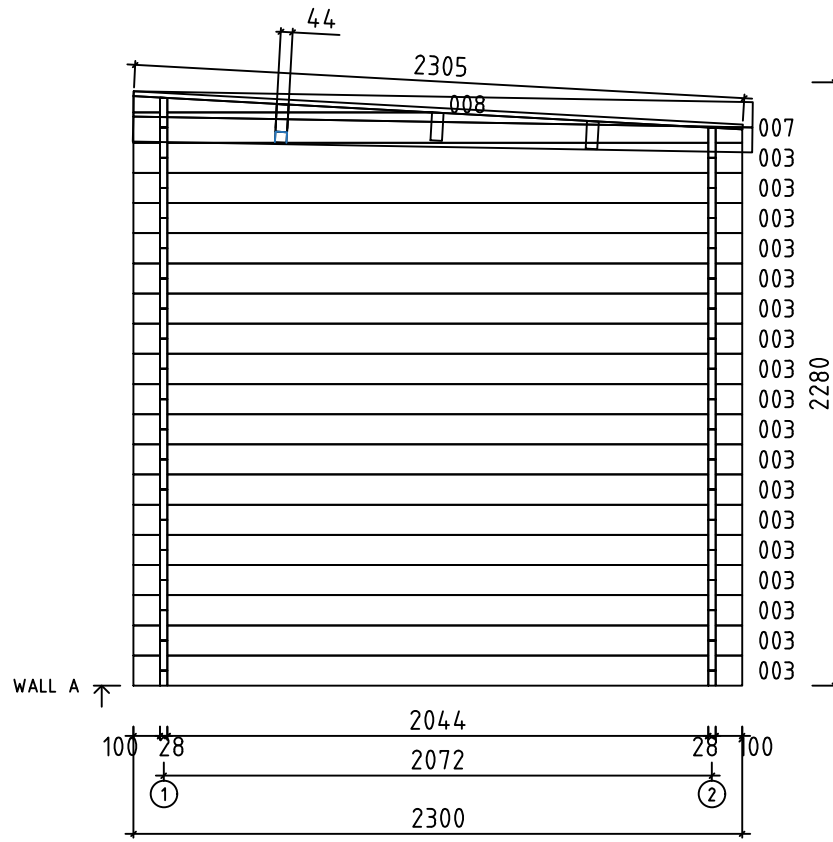
Model	2,3x2,3 Flat pallet house	Page
Drawing	PLAN	Scale 1:20
Material	28x114	Date 08.07.2024
File	FlatPallet 2.3x2.3.dwg	Drawn by T.T



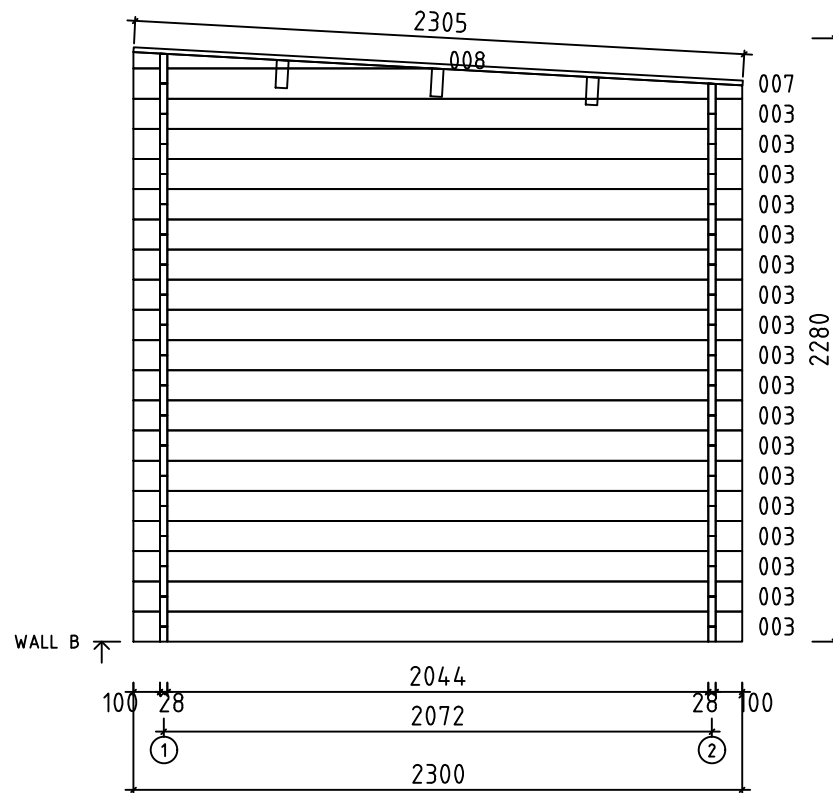
Model	2,3x2,3 Flat pallet house	Page	
Drawing		Scale	1:20
Material	28x114	Date	08.07.2024
File	FlatPallet 2.3x2.3.dwg	Drawn by	T.T



Model	Foundation	Page
Drawing		Scale 1:20
Material		Date 08.07.2024
File	FlatPallet 2.3x2.3.dwg	Drawn by T.T

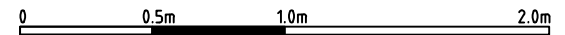
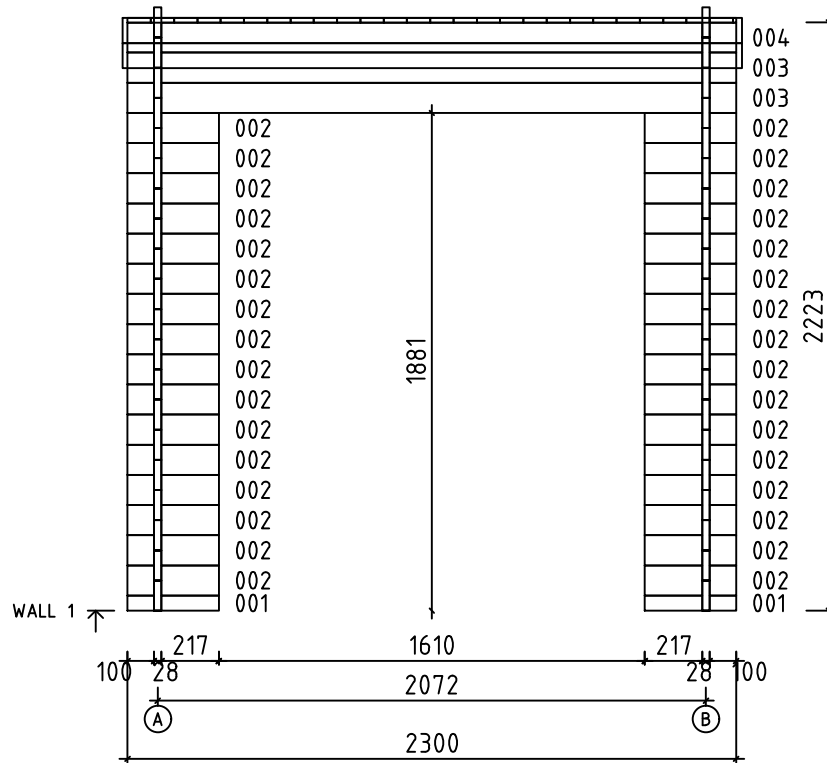


Model	2,3x2,3 Flat pallet house	Page	3
Drawing	WALL A	Scale	1:20
Material	2.8x11.4	Date	08.07.2024
File	FlatPallet 2.3x2.3.dwg	Drawn by	T.T

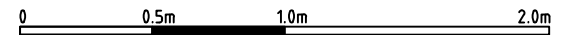
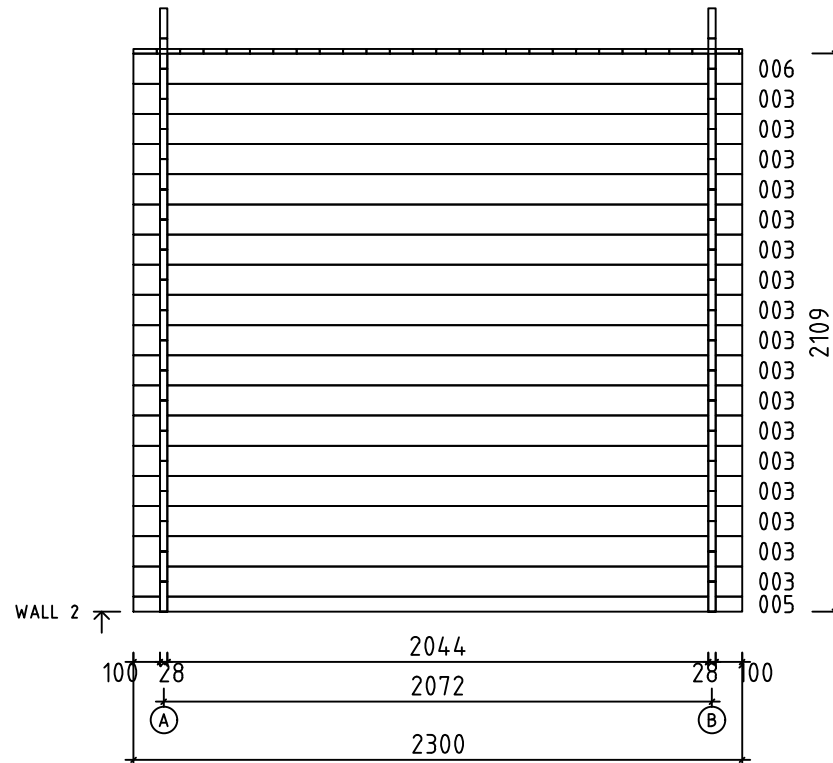


0 0.5m 1.0m 2.0m

Model	2,3x2,3 Flat pallet house	Page	4
Drawing	WALL B	Scale	1:20
Material	2.8x11.4	Date	08.07.2024
File	FlatPallet 2.3x2.3.dwg	Drawn by	T.T



Model	2,3x2,3 Flat pallet house	Page	5
Drawing	WALL 1	Scale	1:20
Material	2.8x11.4	Date	08.07.2024
File	FlatPallet 2.3x2.3.dwg	Drawn by	T.T



Model	2,3x2,3 Flat pallet house	Page	6
Drawing	WALL 2	Scale	1:20
Material	2.8x11.4	Date	08.07.2024
File	FlatPallet 2.3x2.3.dwg	Drawn by	T.T