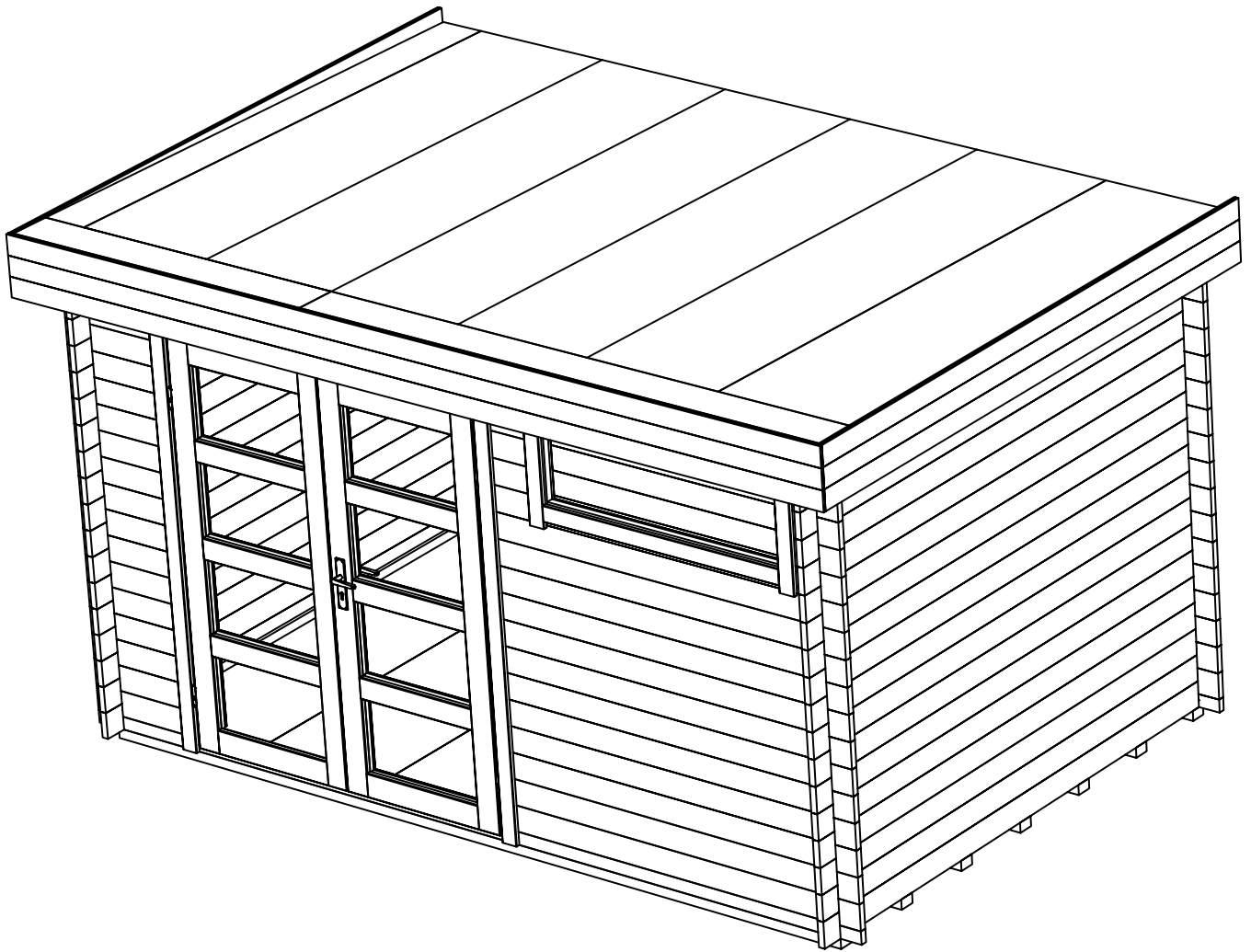
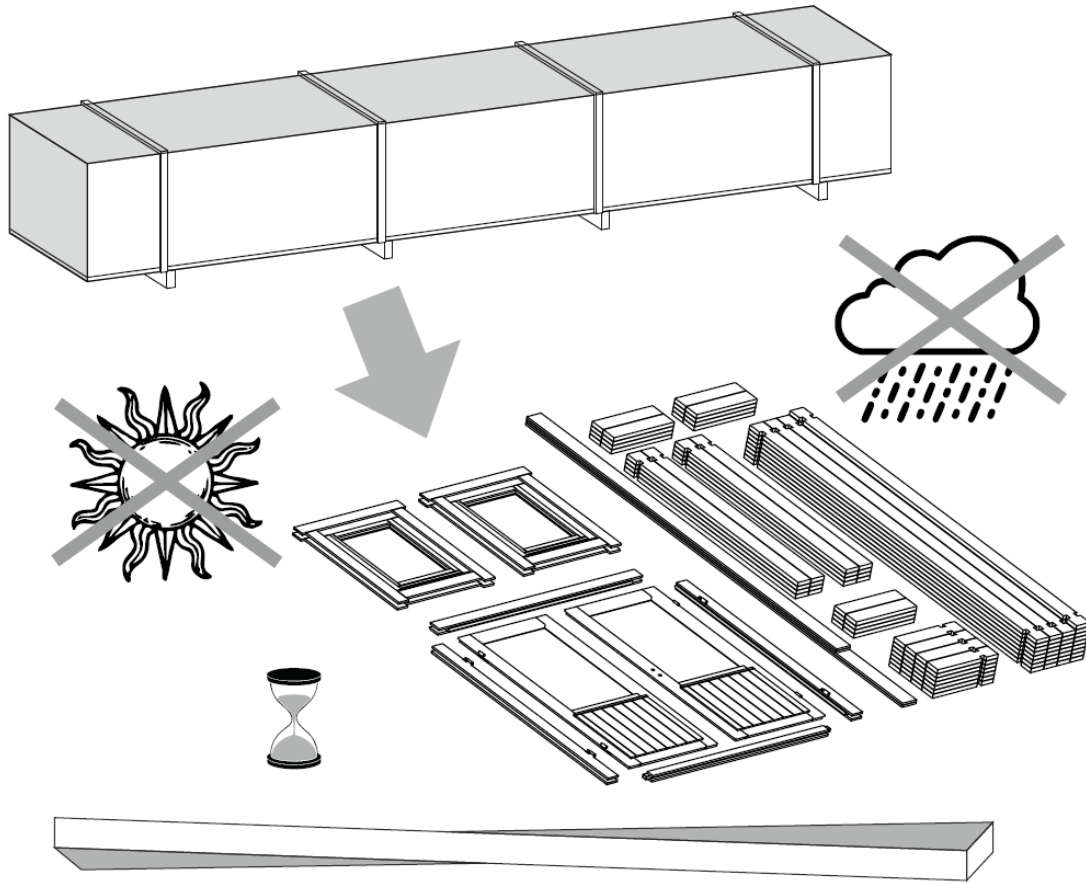
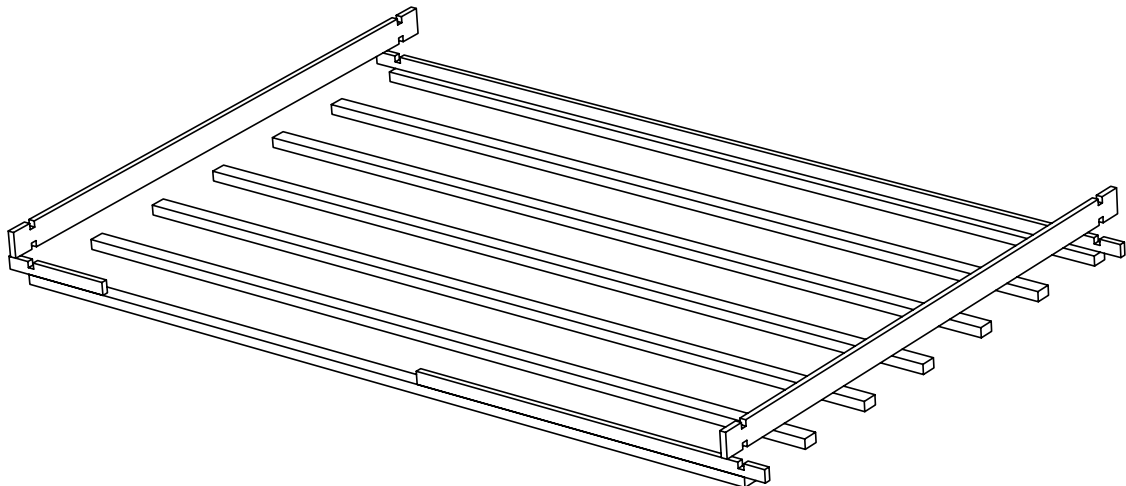
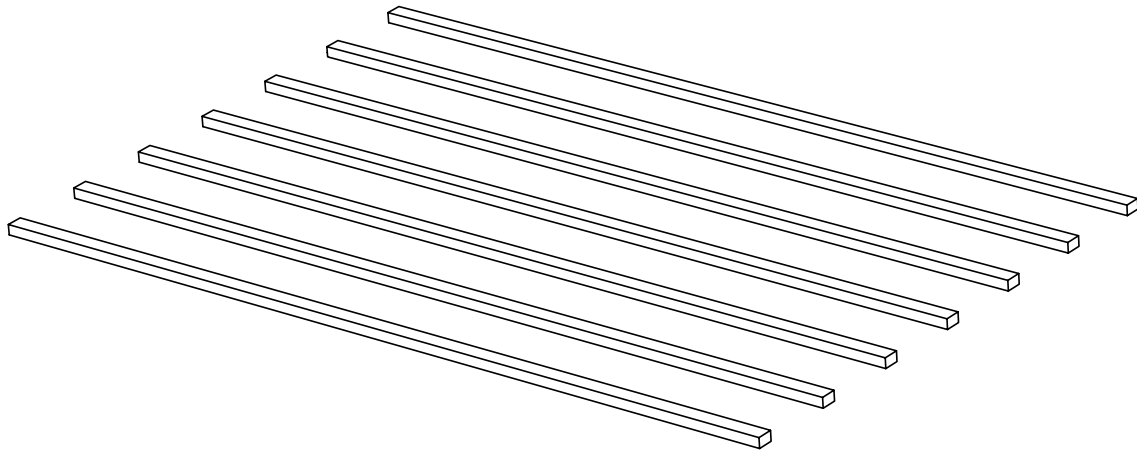
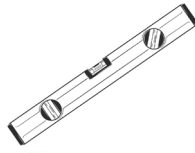
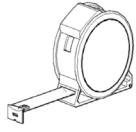
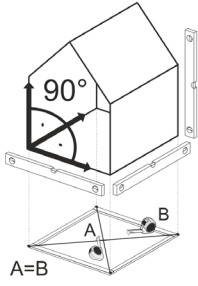


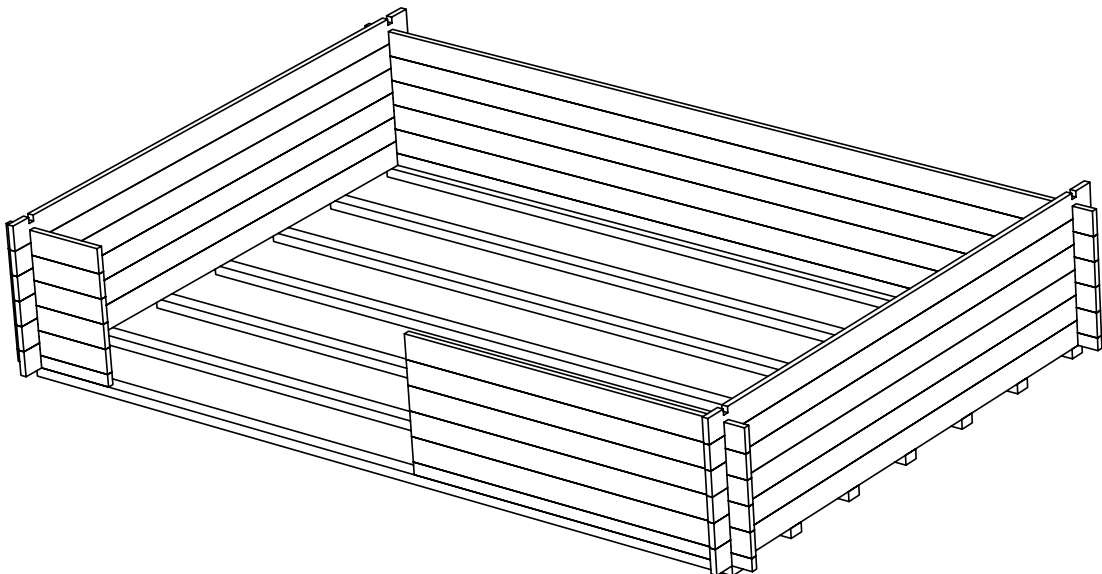
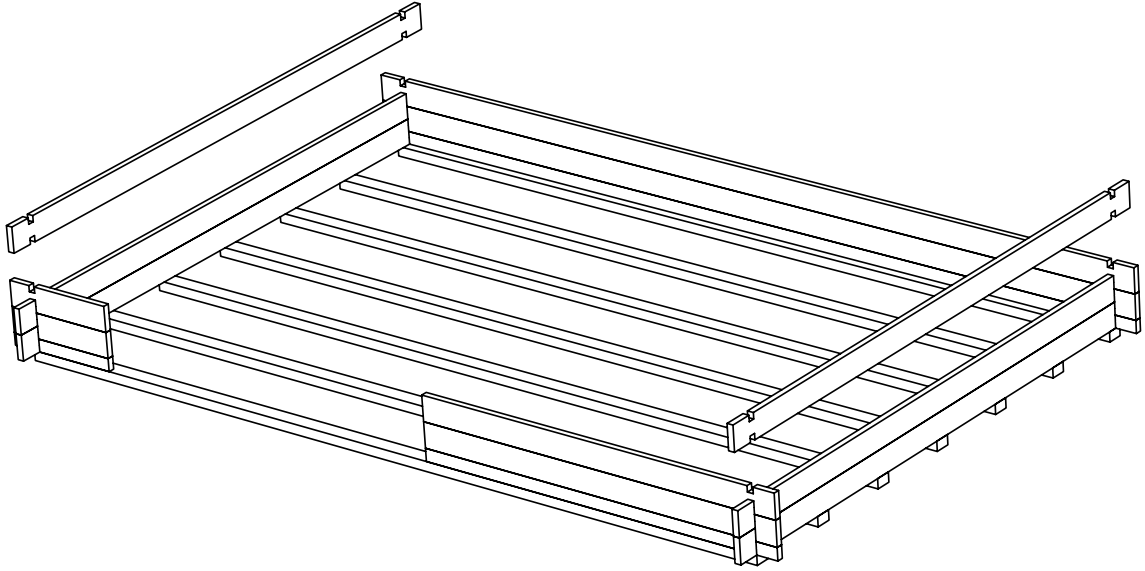
Alphol 

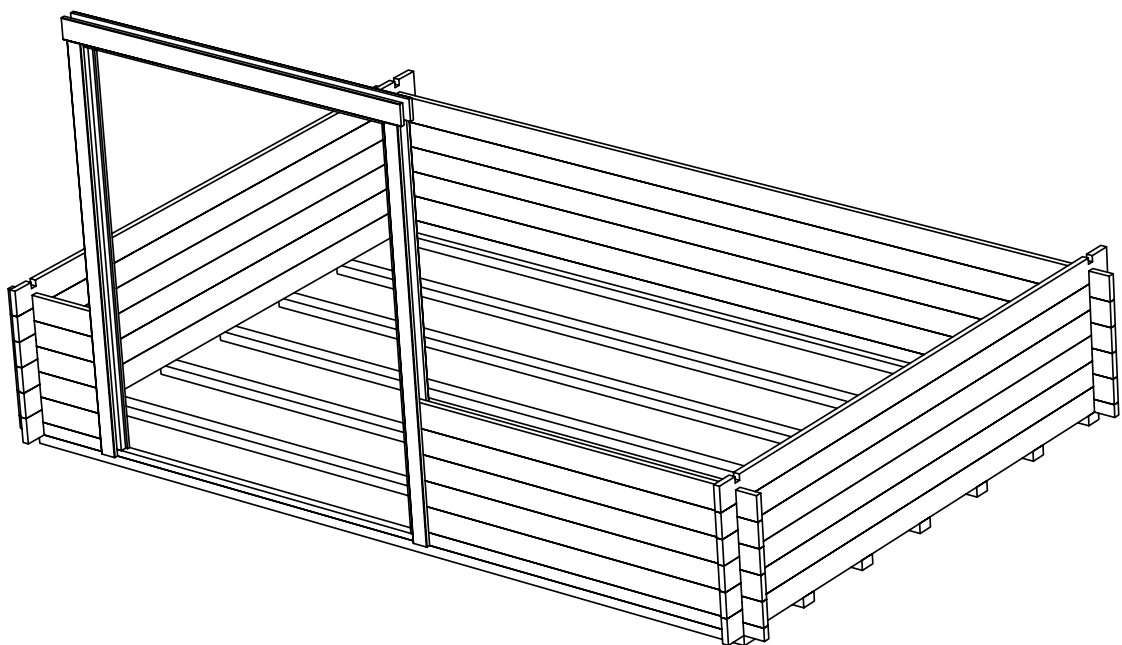
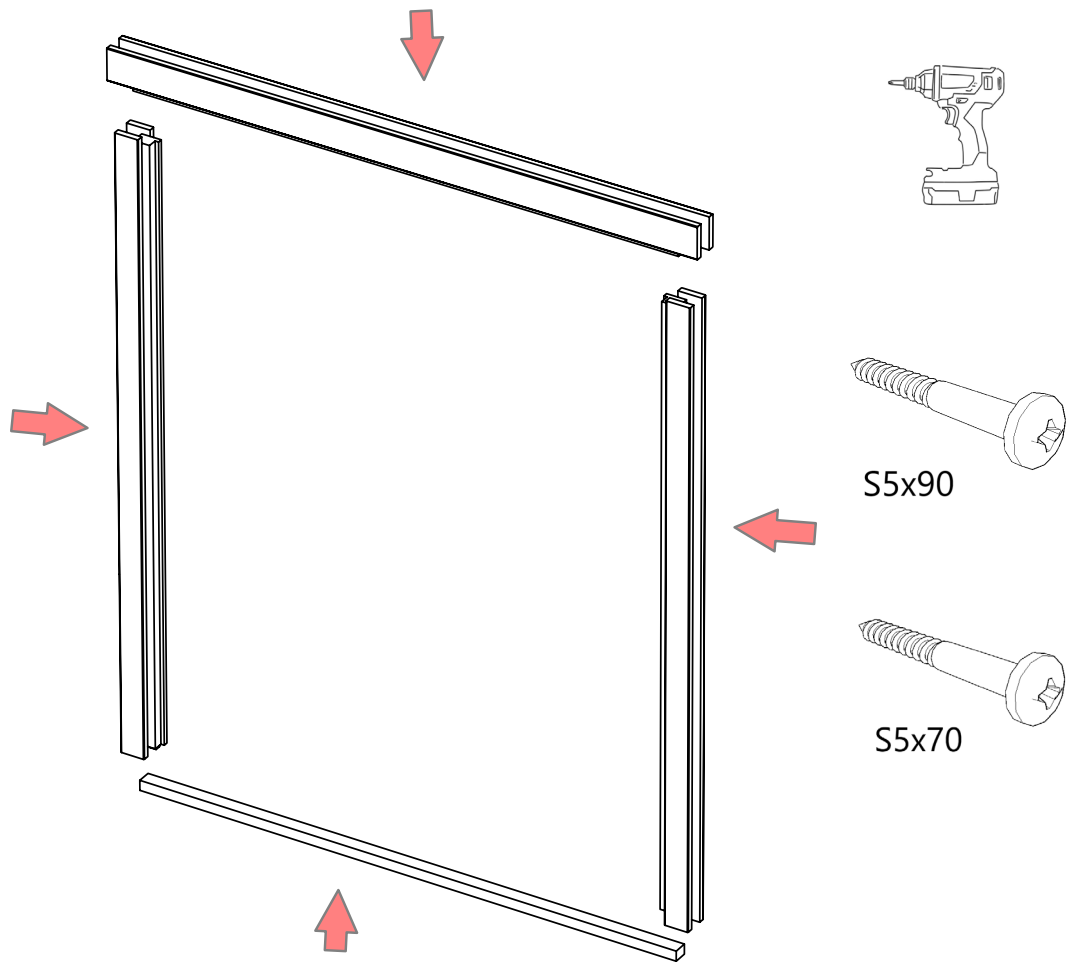


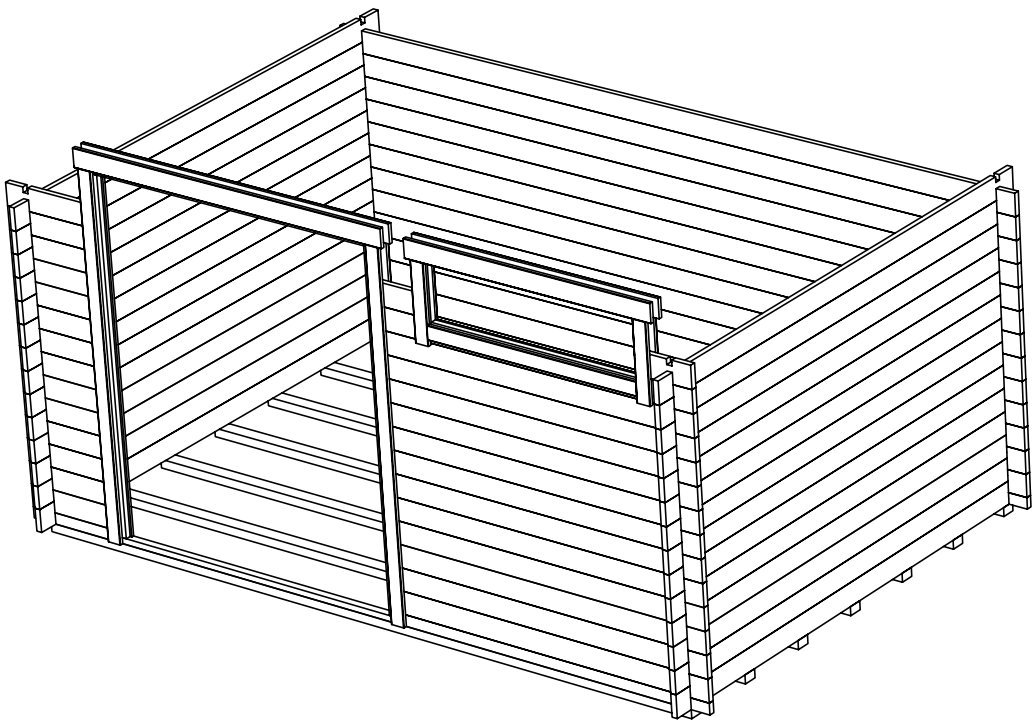
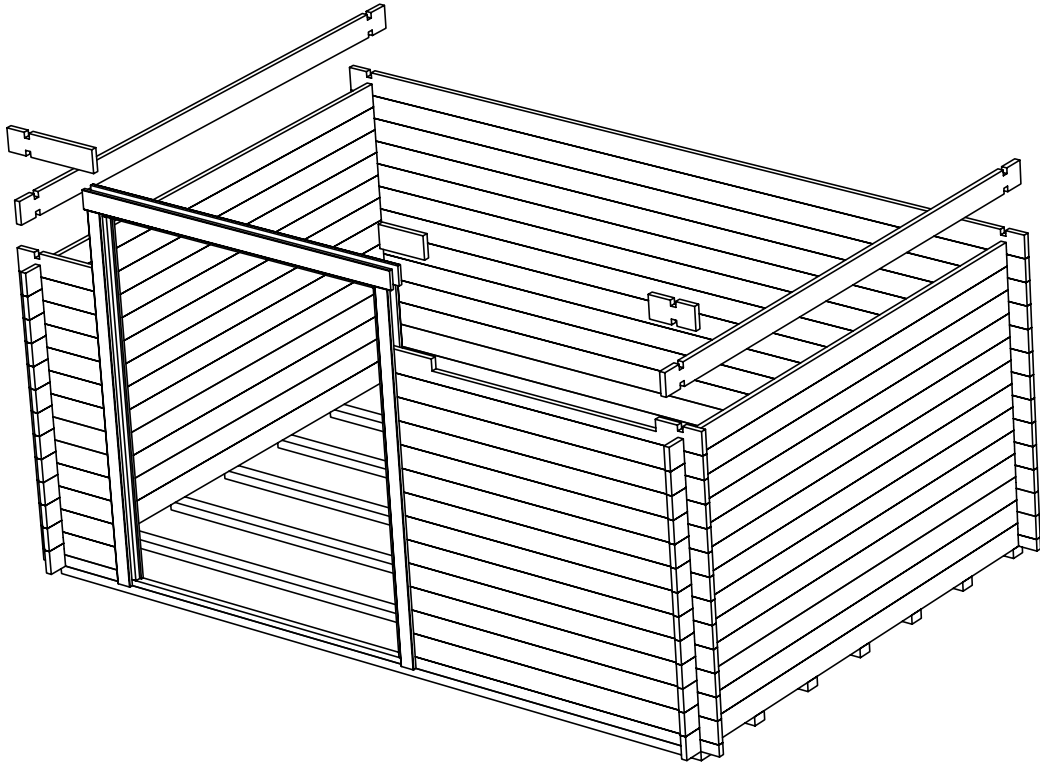
Leandro 28

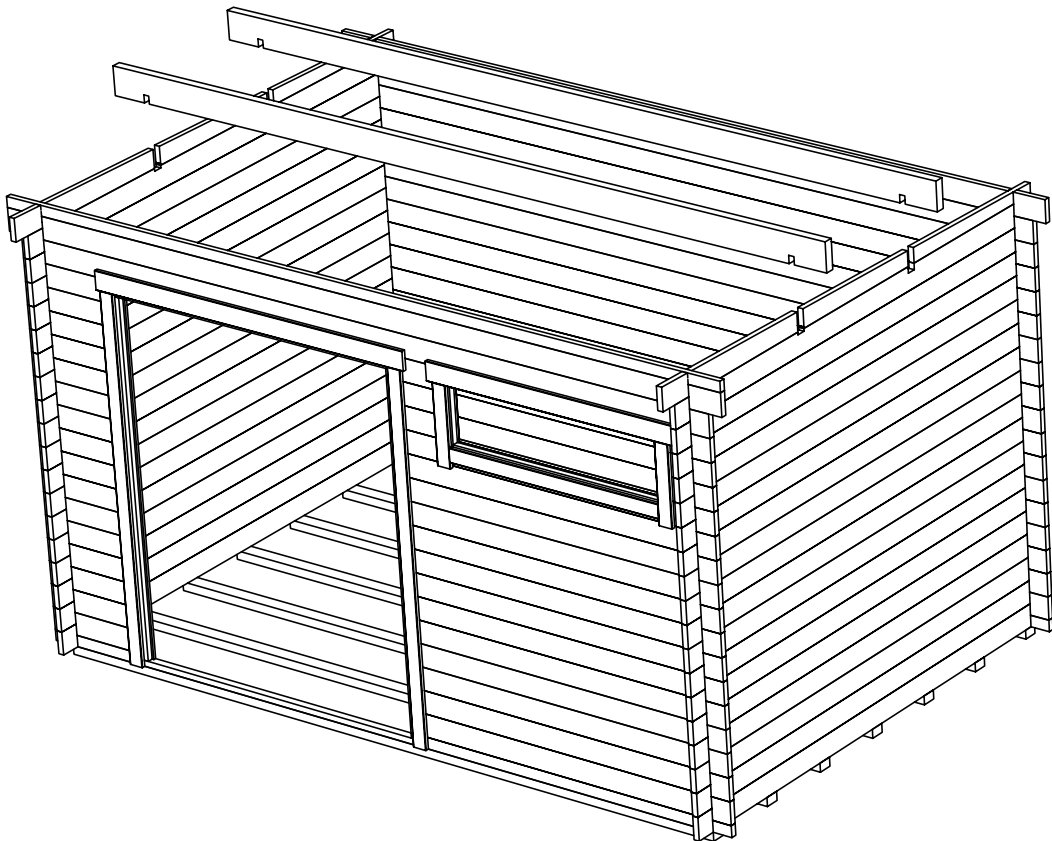
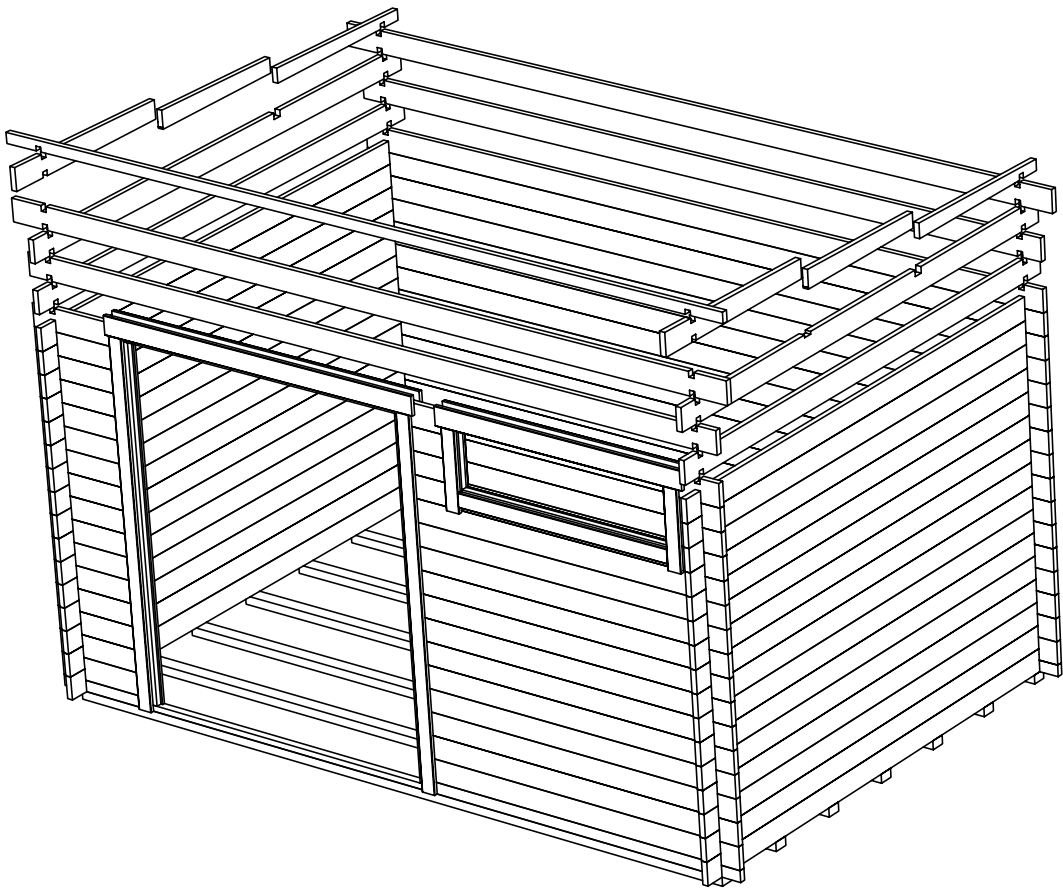


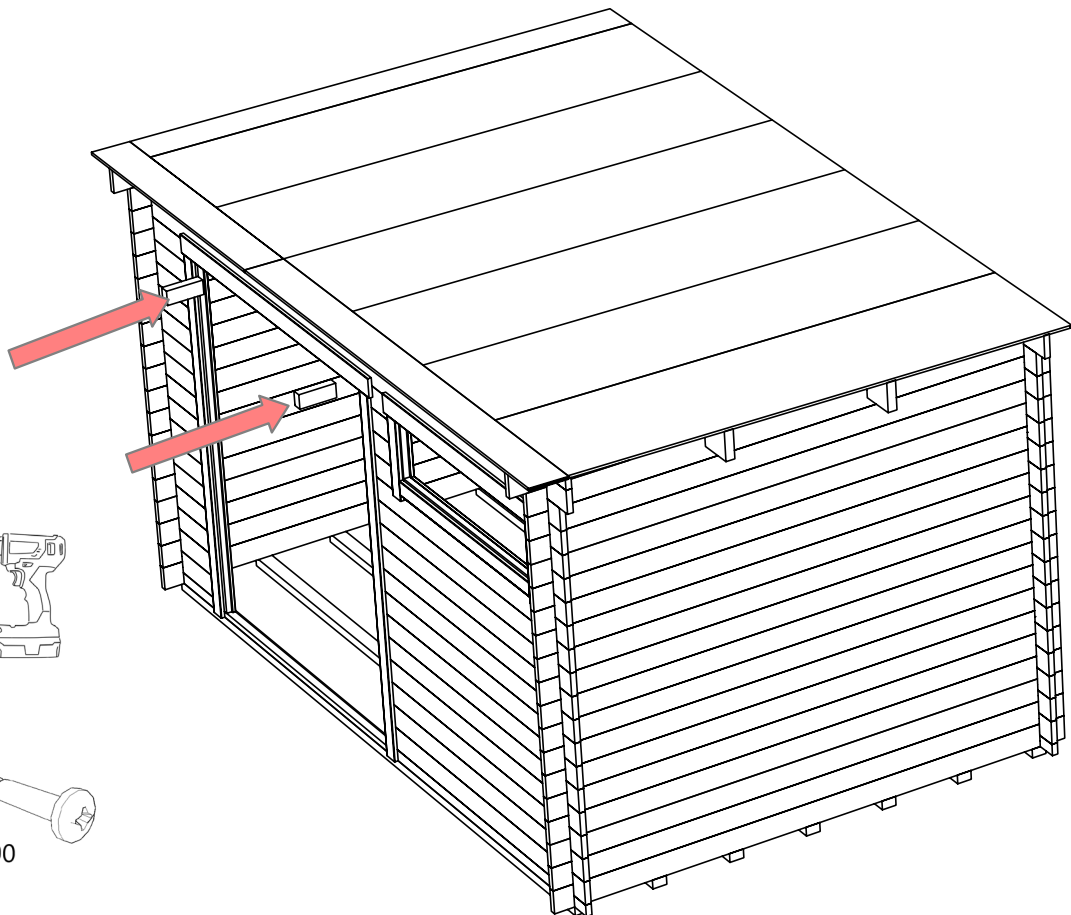
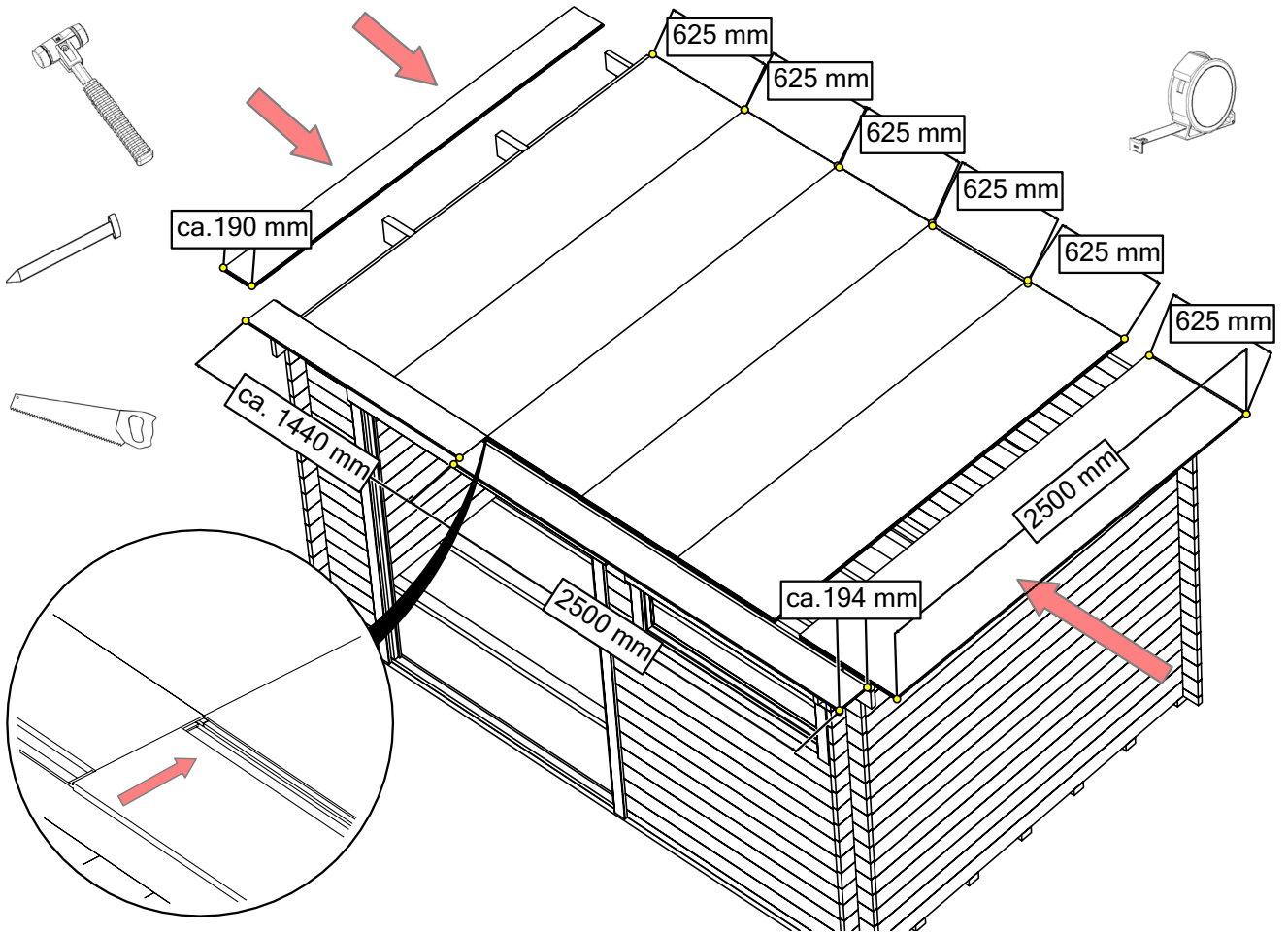






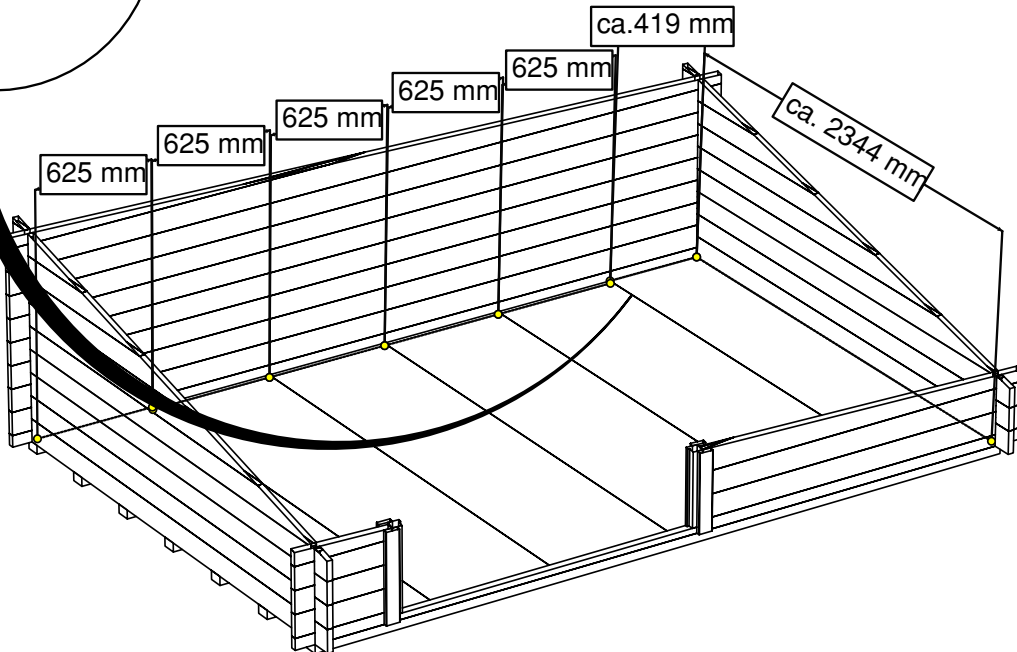
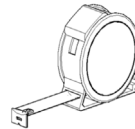
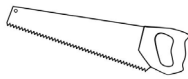
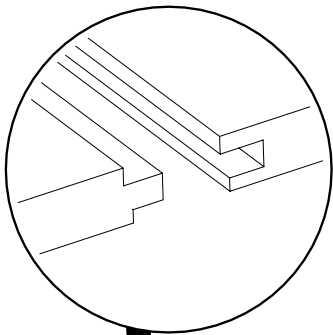
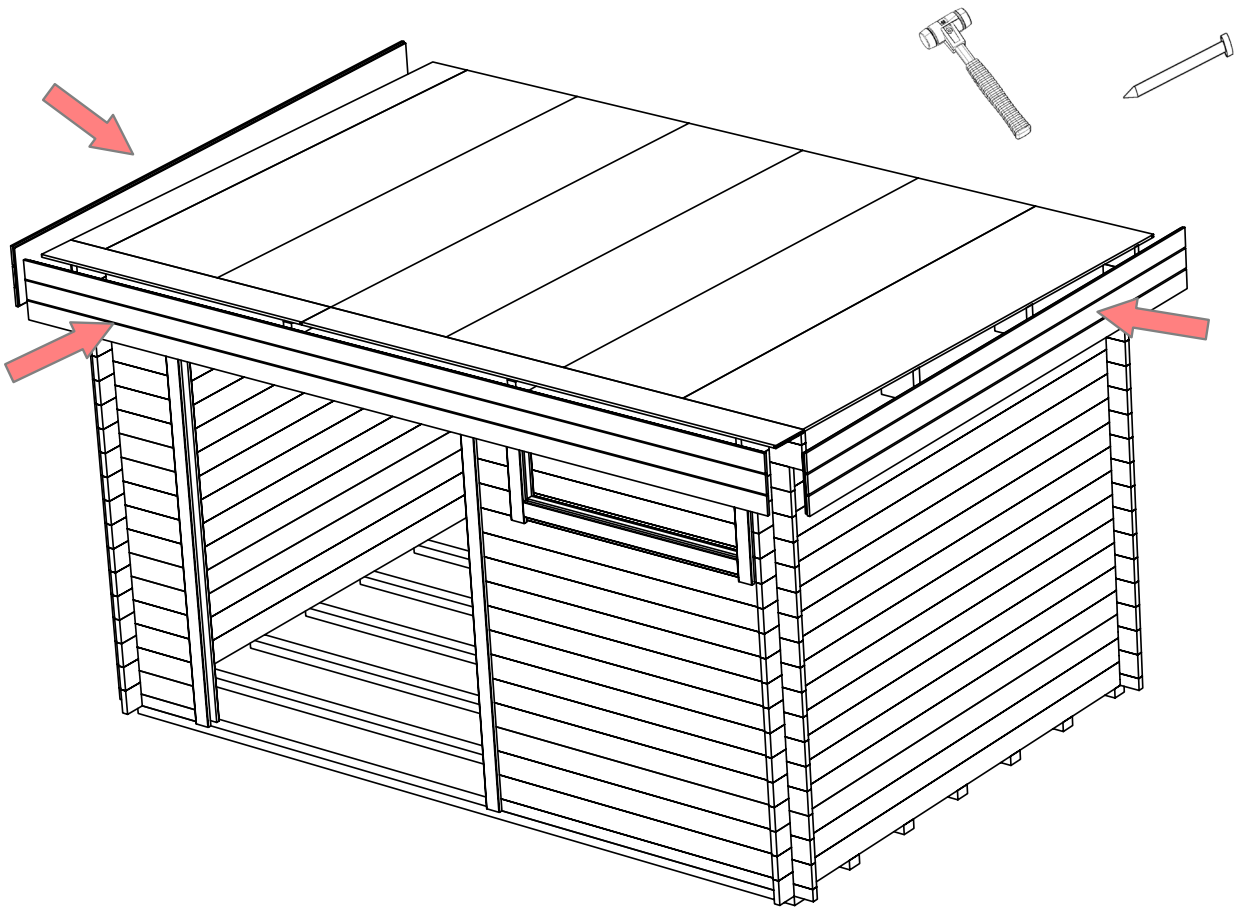


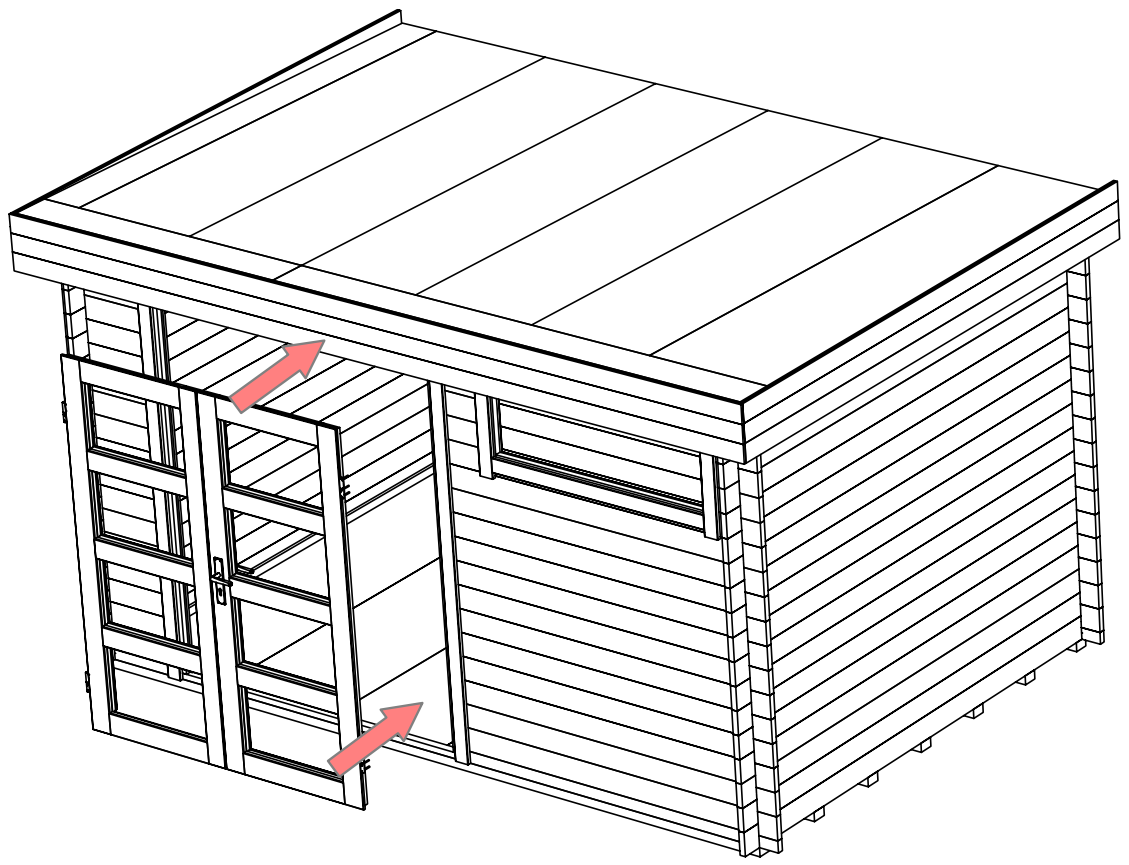
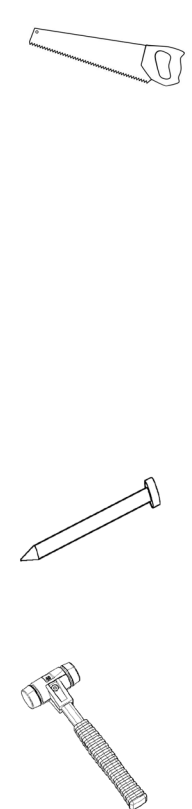
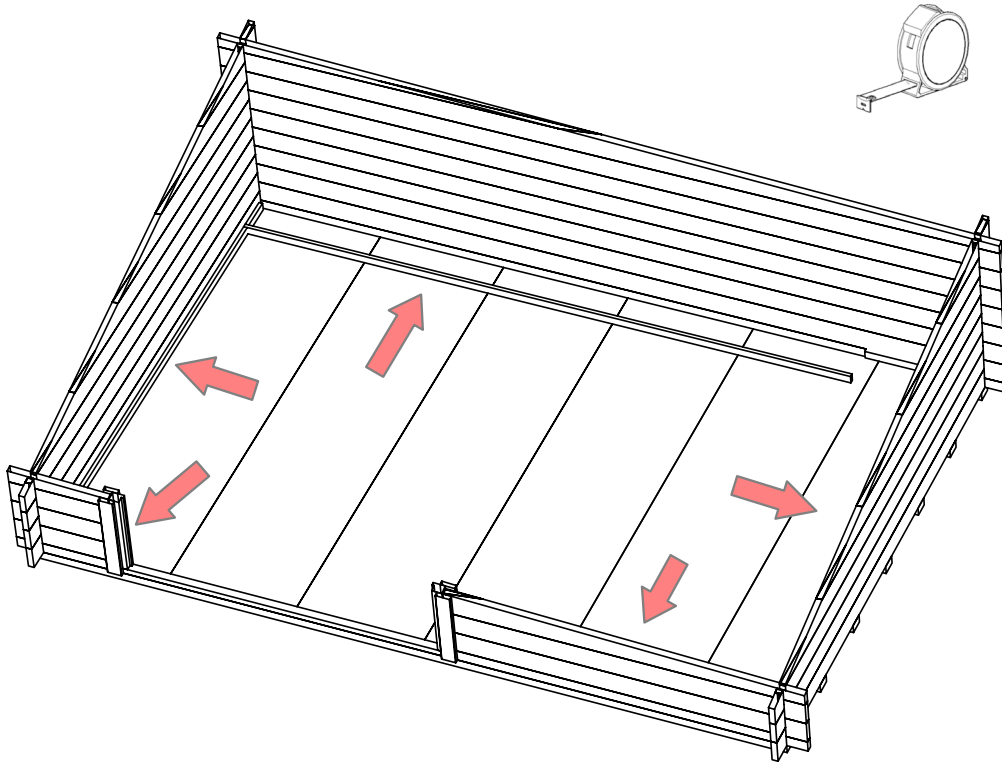


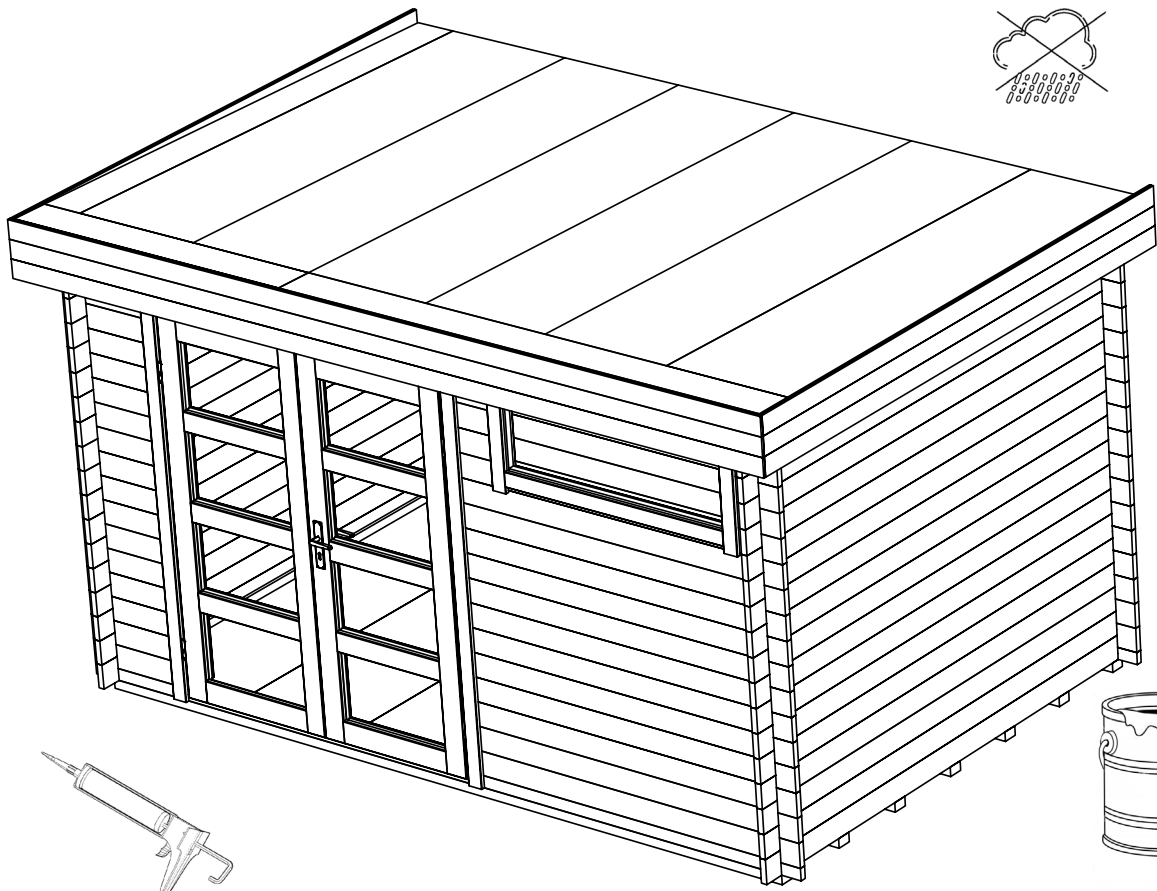


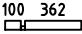
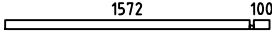
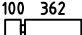
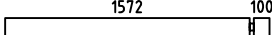
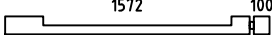
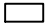
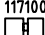
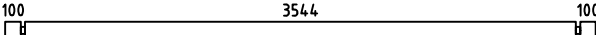
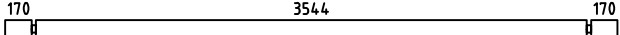
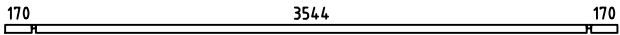
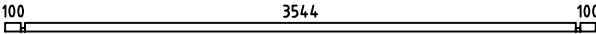
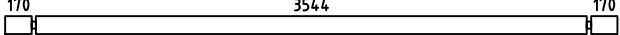
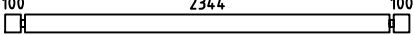
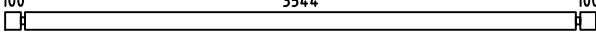
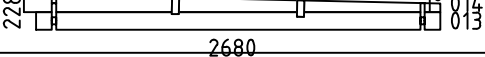
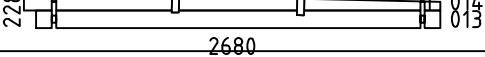
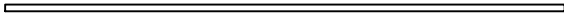
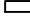
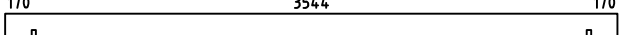




S5x90




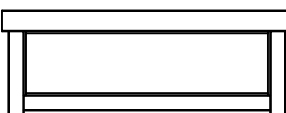
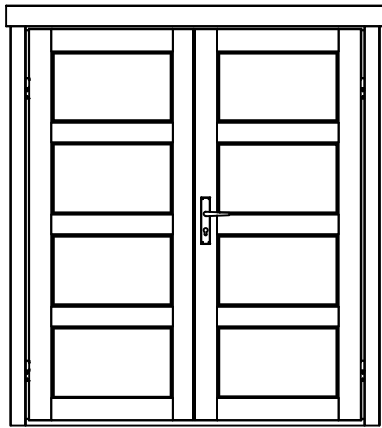
6



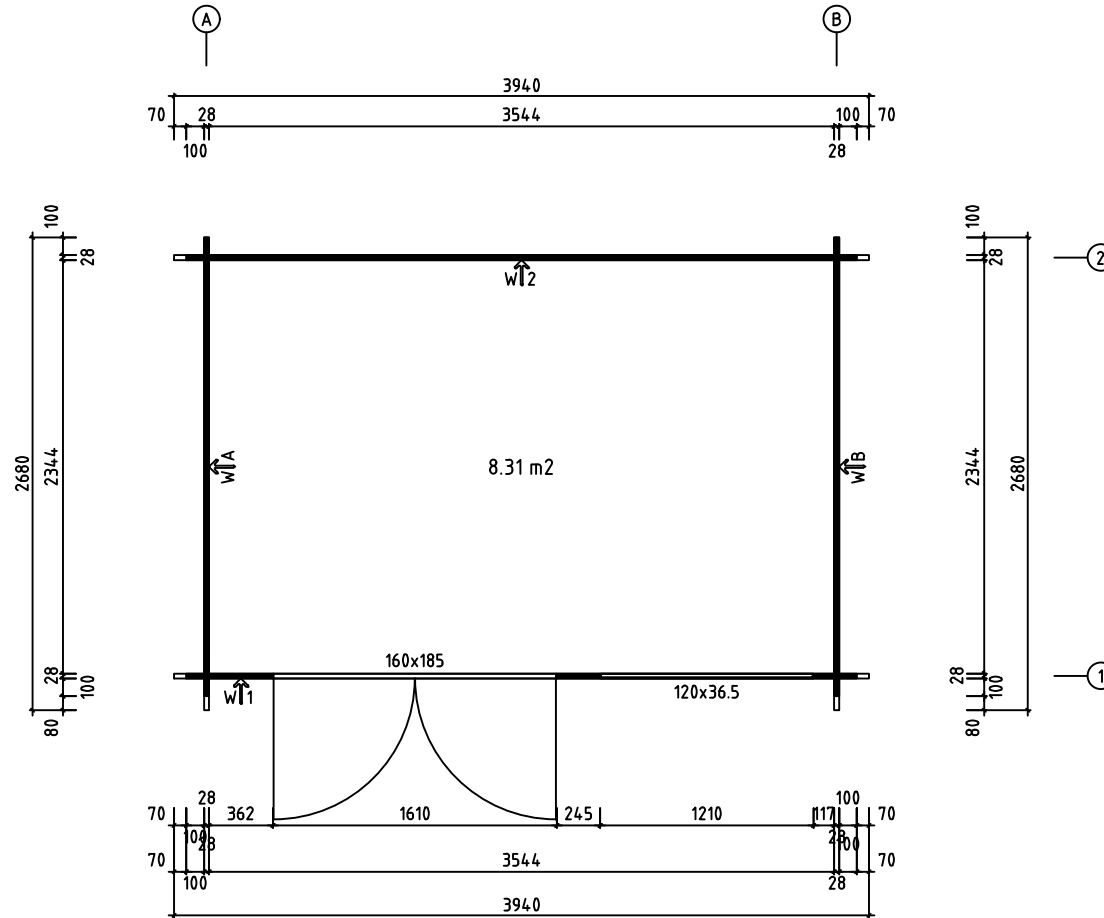




Pos	Specification-Spezifikation-Specificatie-Nomenclature-Elementi-Especificacion Leandro 28	Qty	Profile (mm)	Lenght (mm)
001		1	28x57	490
002		1	28x57	1700
003		16	28x114	490
004		12	28x114	1700
005		1	28x114	1700
006		3	28x114	245
007		3	28x114	245
008		18	28x114	3800
009		1	28x114	3940
010		1	28x53	3940
011		1	28x57	3800
012		1	28x114	3940
013		34	28x114	2600
EXTRA		1	28x114	3800
WA-1		1		
WB-1		1		
F1	FOUNDATION-FUNDAMENT-FONDATION-FONDAZIONE-VIGAS DE CIMENTACIÓN 	7	70x44	3600
CS1	CORNICE SUPPORT-TRAGELEISTE-STEUNEN BAR-SUPPORT-SUPPORTO-SOPORTE 	2	44x70	180
PL1	PURLIN-DAKBALK-DACHPFETTE-PANNE-ARCARECCIO-CORREA 	2	44x144	3940
	Cornice 20x270-Gesimse-Kroonlijst-Corniche-Cornicione-Cornisa 	2	20x250	2696
	Cornice 20x270-Gesimse-Kroonlijst-Corniche-Cornicione-Cornisa 	2	20x250	3980
FLB-1	Floor beading 3000-Fussbodenleiste-Plinten-Moulure de finition-Listello pavimento-Liston de suelo 	4	18x40	12rmt.
	OSB 	13	625x2500	12mm
Model	Leandro 28	Material	Page 1/2	

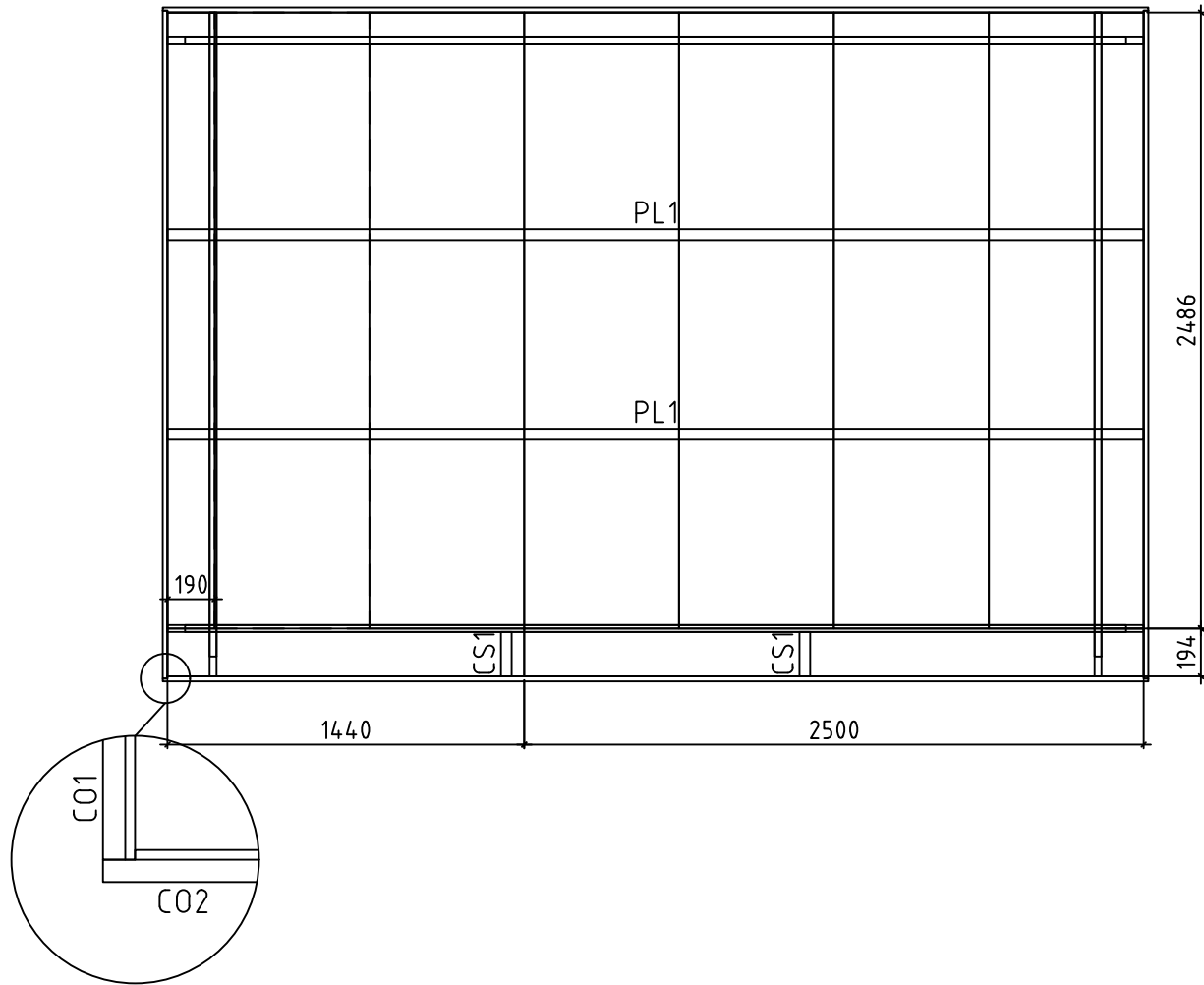
Pos	Specification-Spezifikation-Specificatie-Nomenclature-Elementi-Especificacion Leandro 28	Qty	Profile (mm)	Lenght (mm)
	Double door kit-Doppeltür satz-Dubbele deur set-Kit double porte-Kit porta-Kit para puerta 	1		
	Nail 1.8x40-Nagel-Spijker-Clou-Chiodo-Clavo 	230	1.8x40	
S5x90	Screw 5x90-Schraube-Schroef-Vis-Vite-Tornillo 	4	5x90	
	WINDOW 1200x365 W0 1200x365-28 	1		
	DOOR 1600x1850 DD4B F 1600x1850-28 	1		
Model	Leandro 28	Material	Page	2/2

H = 1.600 m
TOTAL: 8.31 m²




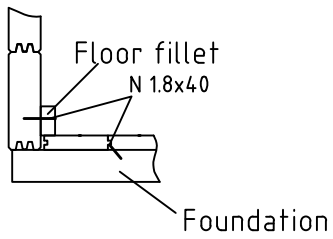
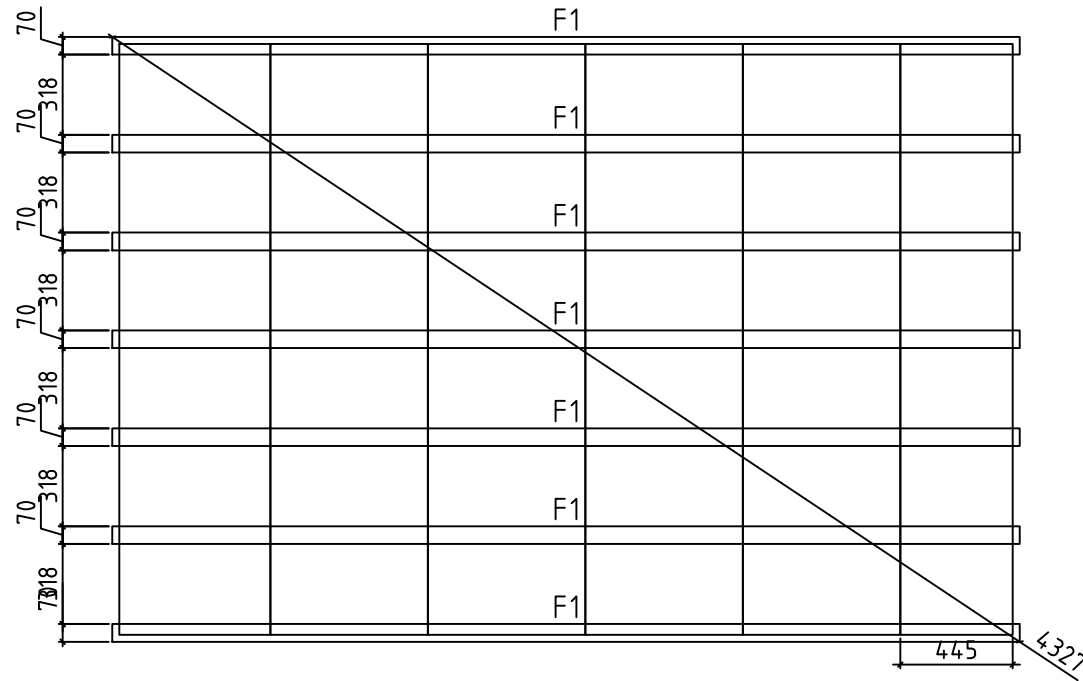
0 0.5m 1.0m 2.0m

Model	Leandro 28	Drawing	PLAN	Page			
		Drawn by	R.T	Material	28x114	Scale	1:30
		Date	08.05.2024	File	Leandro 28.dwg		




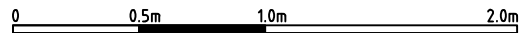
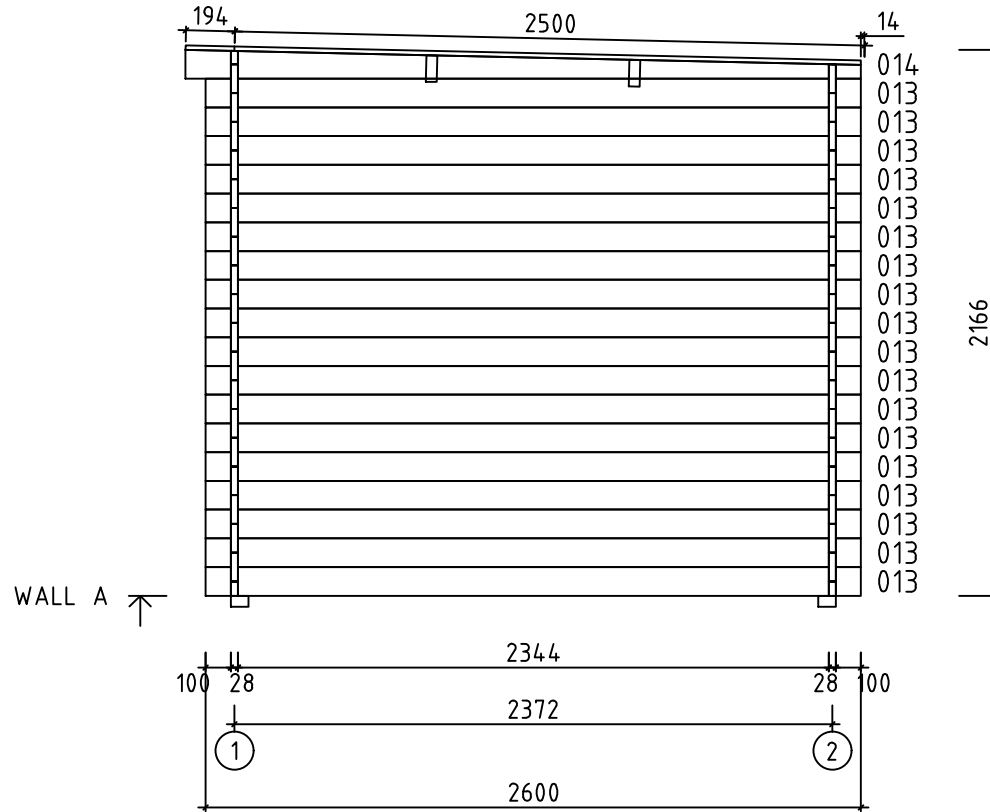
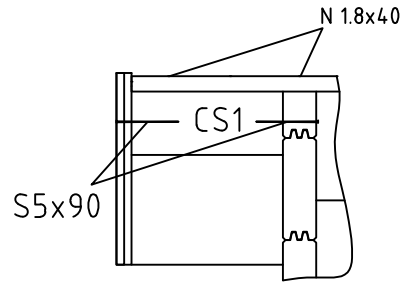
0 0.5m 1.0m 2.0m

Model	Leandro 28	Drawing	ROOF	Page
	Drawn by	R.T	Material	28x114
	Date	08.05.2024	File	Leandro 28.dwg
			Scale	1:30

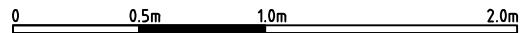
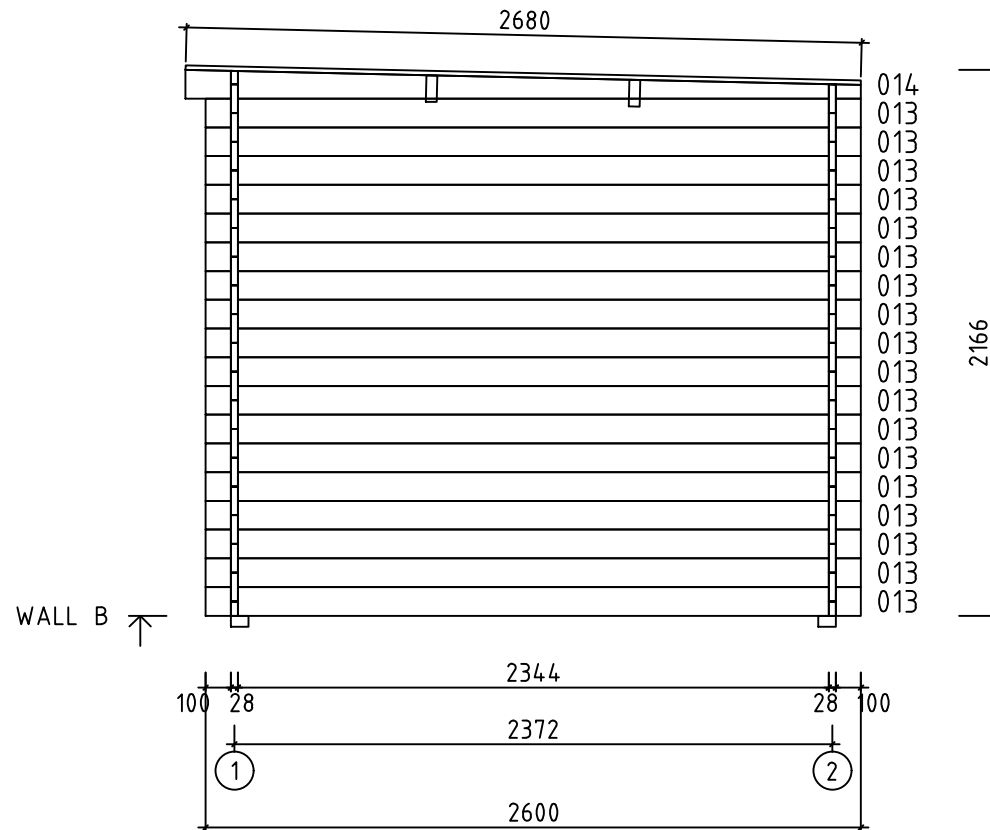



0 0.5m 1.0m 2.0m

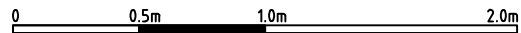
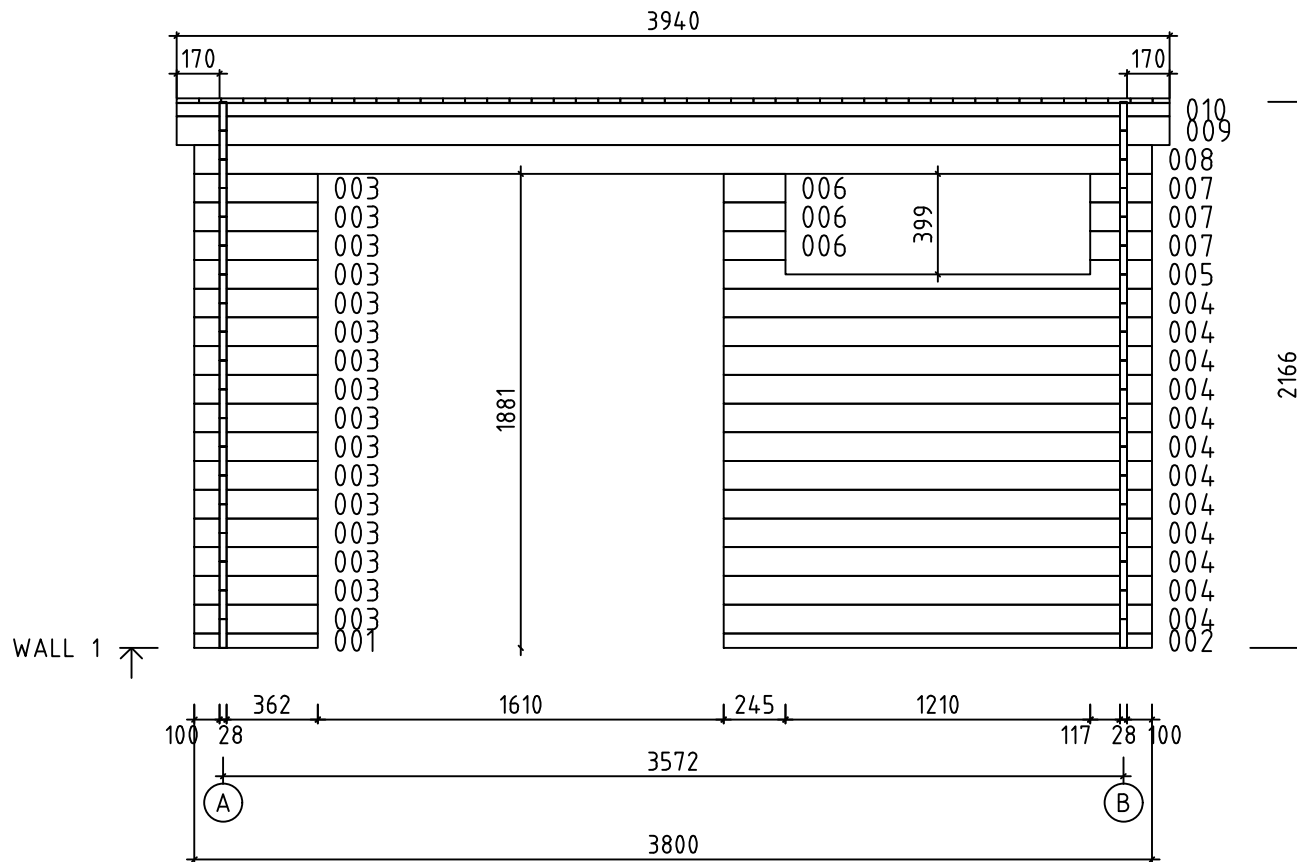
Model	Leandro 28	Drawing	FOUNDATION	Page	
	Drawn by	R.T	Material	28x114	Scale
	Date	08.05.2024	File	Leandro 28.dwg	




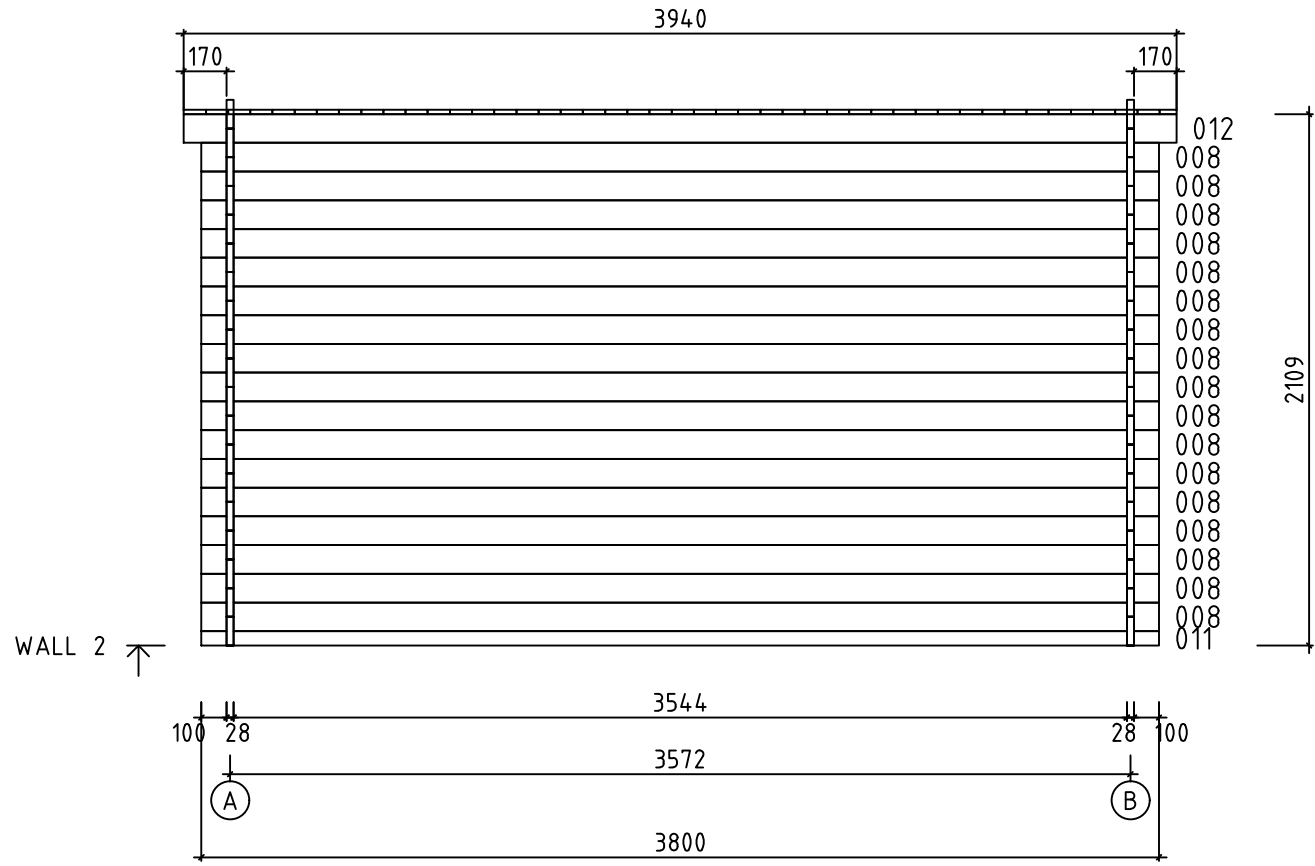
Model	Leandro 28	Drawing	WALL A	Page	2	
	Drawn by	R.T	Material	2.8x11.4	Scale	1:30
	Date	08.05.2024	File	Leandro 28.dwg		




Model	Leandro 28	Drawing	WALL B	Page	3	
	Drawn by	R.T	Material	2.8x11.4	Scale	1:30
	Date	08.05.2024	File	Leandro 28.dwg		



Model	Leandro 28	Drawing	WALL 1	Page	4	
	Drawn by	R.T	Material	2.8x11.4	Scale	1:30
	Date	08.05.2024	File	Leandro 28.dwg		



0 0.5m 1.0m 2.0m

Model	Leandro 28	Drawing	WALL 2	Page	5	
	Drawn by	R.T	Material	2.8x11.4	Scale	1:30
	Date	08.05.2024	File	Leandro 28.dwg		