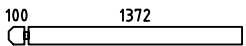
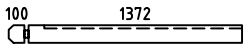

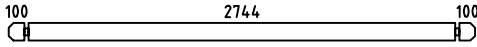
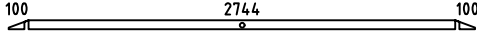
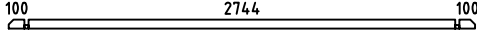
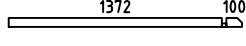
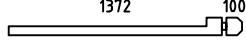
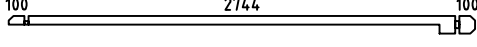
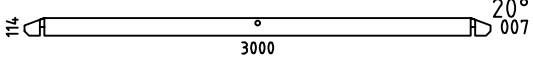
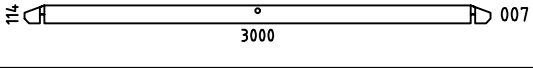
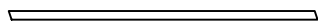
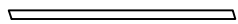
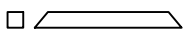
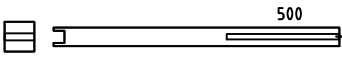
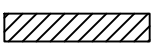
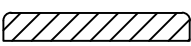
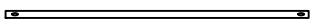
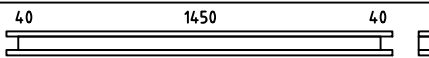

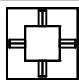


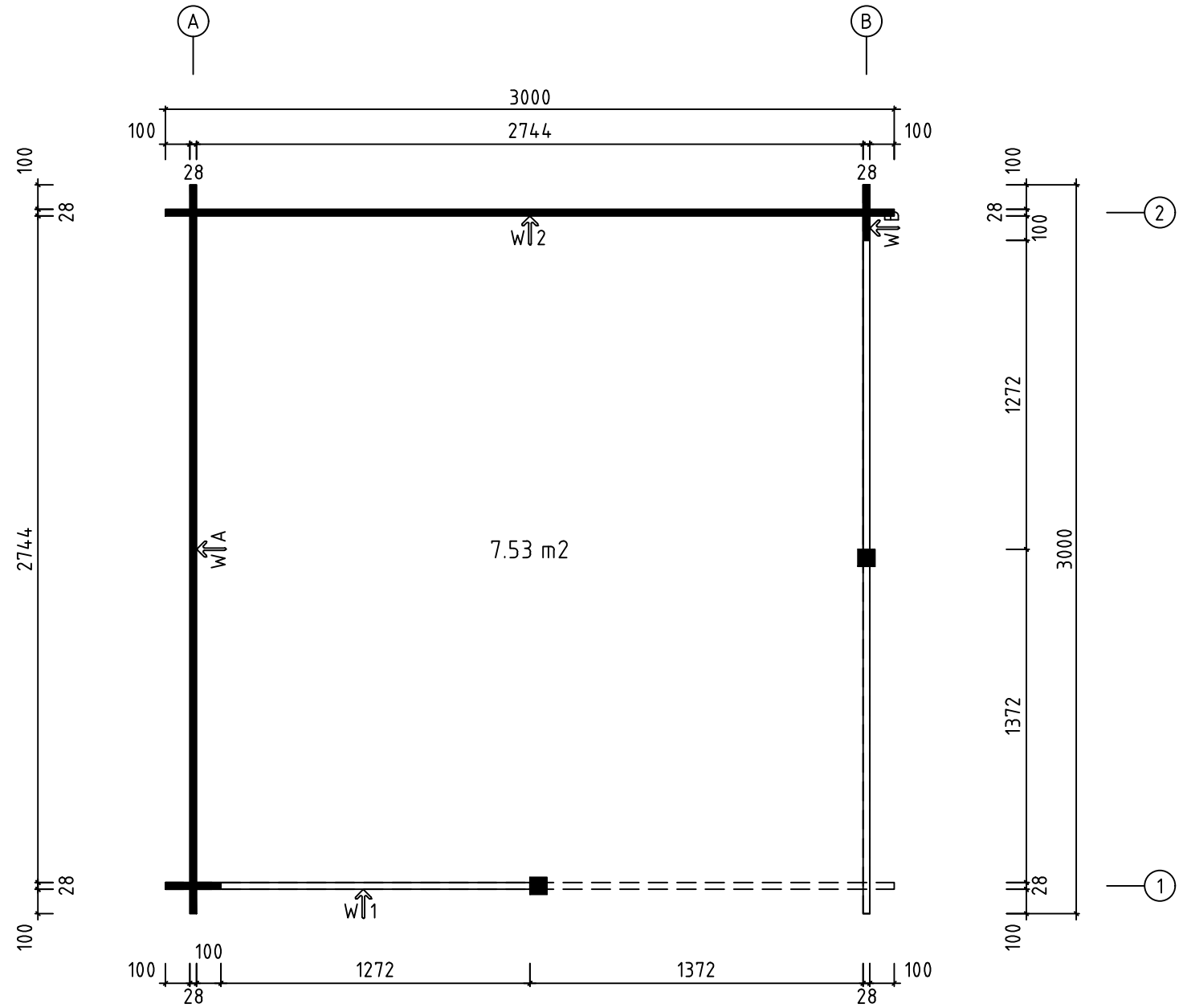


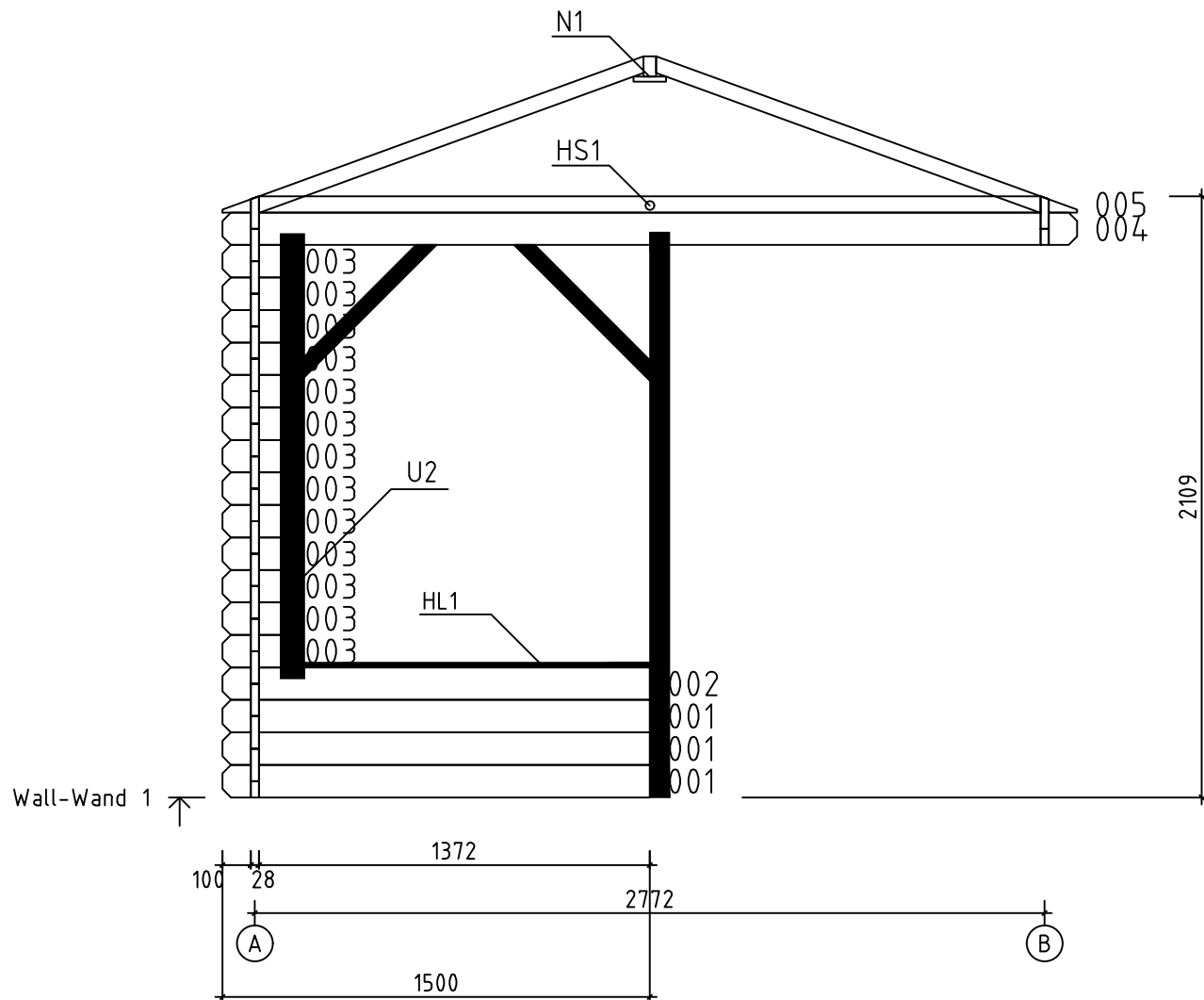
Maik28
Nora28

Pos	Specification-Spezifikation-Specificatie Maik28_Nora28	St.	Profile (mm)	Length (mm)		
001		6	28x114	1500		
002		1	28x114	1500		
003		25	28x114	228		
004		36	28x114	3000		
005		2	28x57	3000		
006		1	28x57	3000		
008		1	28x57	1500		
009		1	28x114	1500		
010		1	28x114	3000		
WA-1		1				
WB-1		1				
SR2	RAFTER-DACHSPARREN-DAKSPAR 	4	44x55	1986		
SR1	RAFTER-DACHSPARREN-DAKSPAR 	4	44x55	1458		
	-Diagonal for POST 85x85 	4		500		
	-POST 85x85 	2		1983		
	Eave Board-Traubret-Dakranden board 	4	18x70	3250		
HL1	Handrail-Handlauf 	2	18x70	1272		
	Storm Brace-Sturmleiste 	3	18x40	2000		
U2	Uprofiil2 	2		1562		
	Adjustable foot-Stellfuß+Schrauben 5x40 4stück für Post 	2				
N1	Ridge piece-Firstelement-Nokstuk 	1				
DE1	Roof Panel-Dach Elemente-Dakpanelen 	4+4	1685x1590			
	Screw-Schraube-Schroef 4x60 	160				
Kood	Maik28_Nora28	Materjal	File	Maik28_Nora28.dwg	Leht	1/2

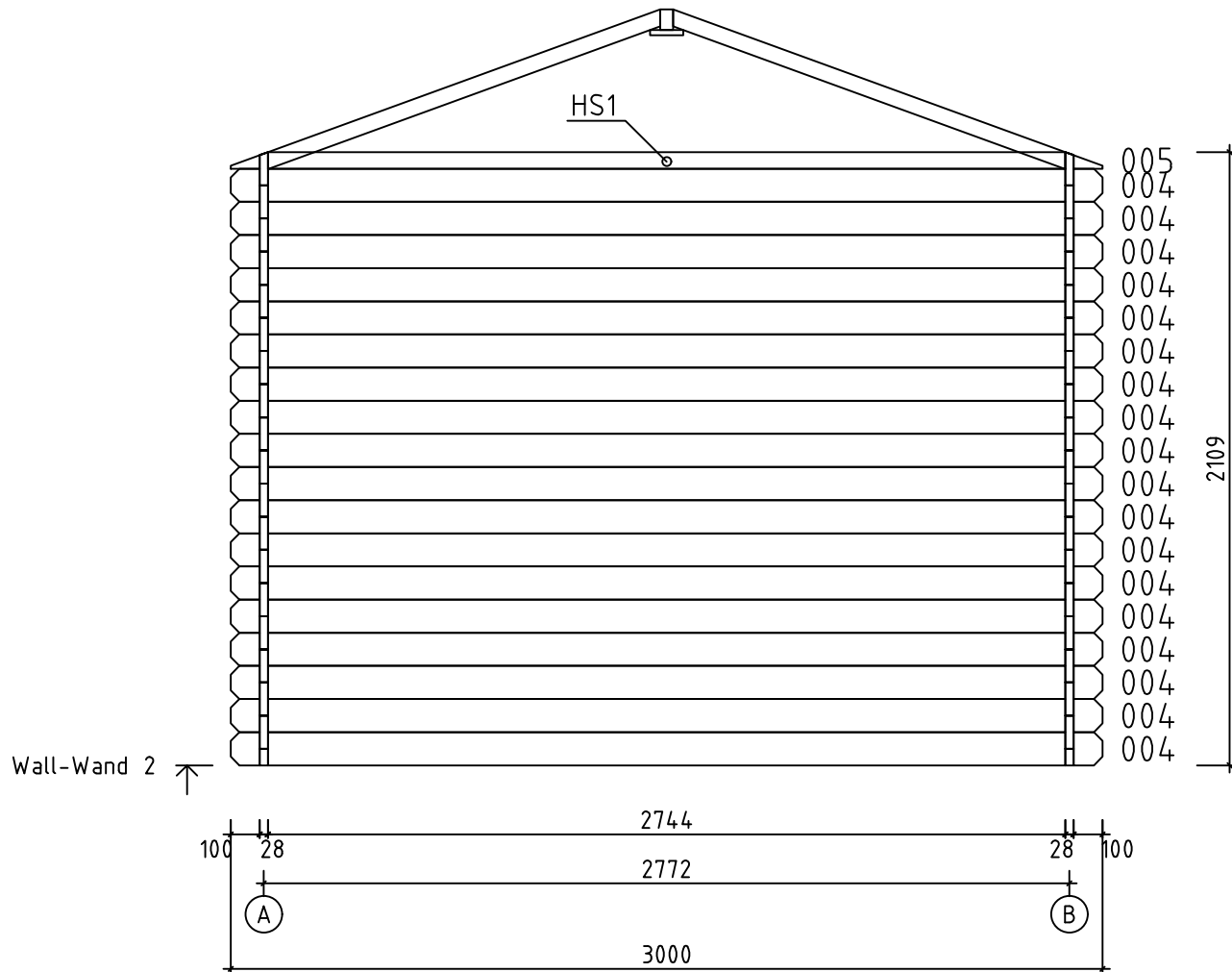
H = 1.500 m
TOTAL: 7.53 m²



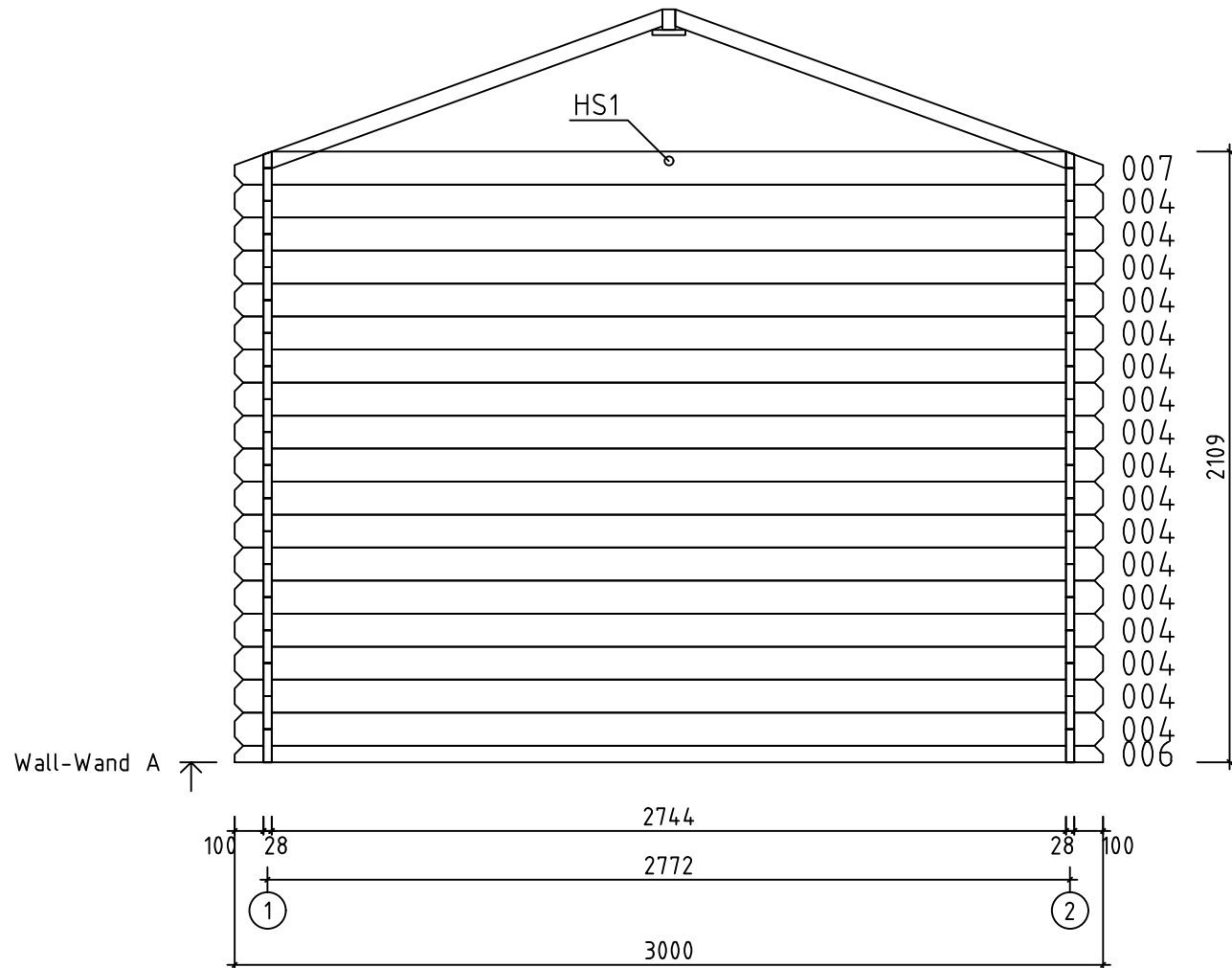
Model	Maik28_Nora28	Page	PLAN
Drawn by	J.Soo	Material	28x114
Date	03.09.2020	Scale	1:25
	File	Maik28_Nora28.dwg	



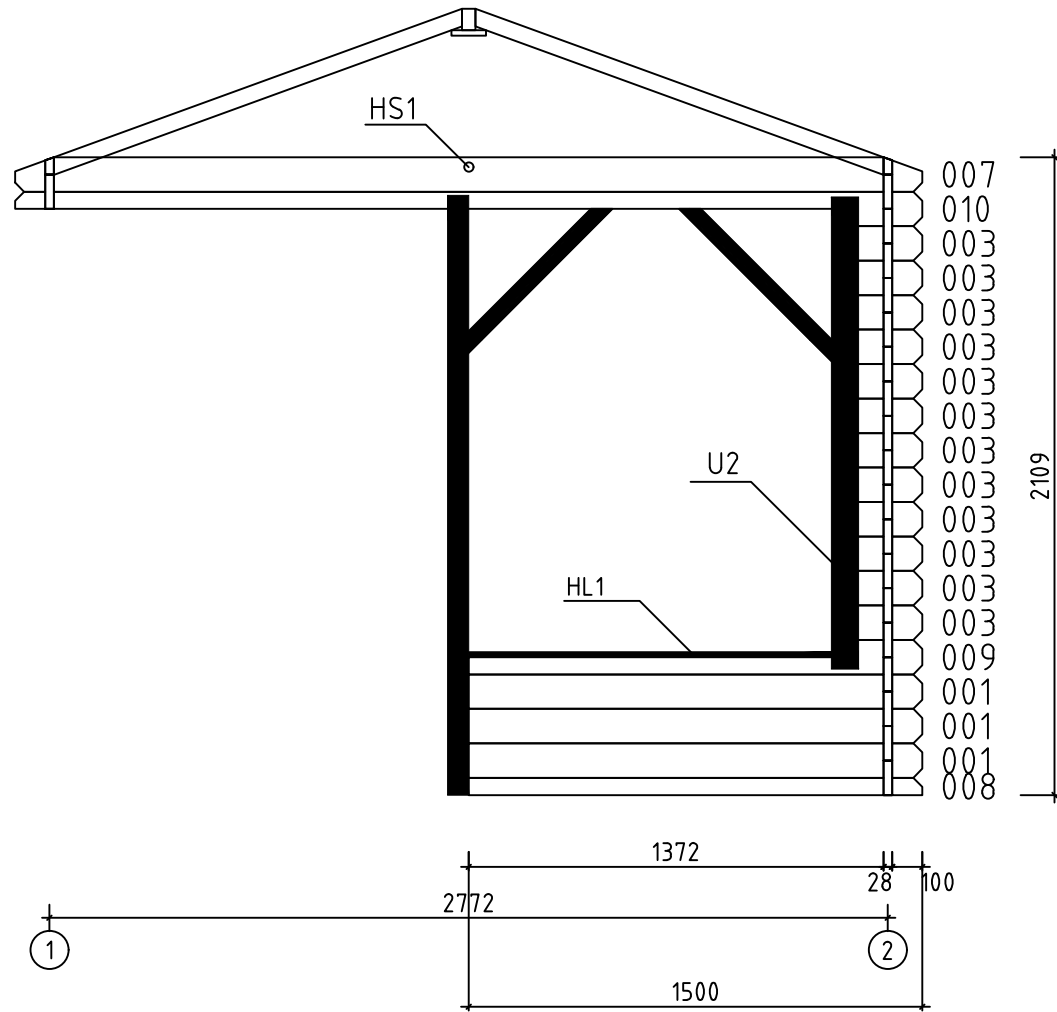
Model	Maik28_Nora28	Page	5
Drawn by	J.Soo	Material	2.8x11.4
Date	03.09.2020	File	Maik28_Nora28.dwg
		Scale	1:25



Model	Maik28_Nora28	Page	6
Drawn by	J.Soo	Material	2.8x11.4
Date	03.09.2020	File	Maik28_Nora28.dwg
		Scale	1:25

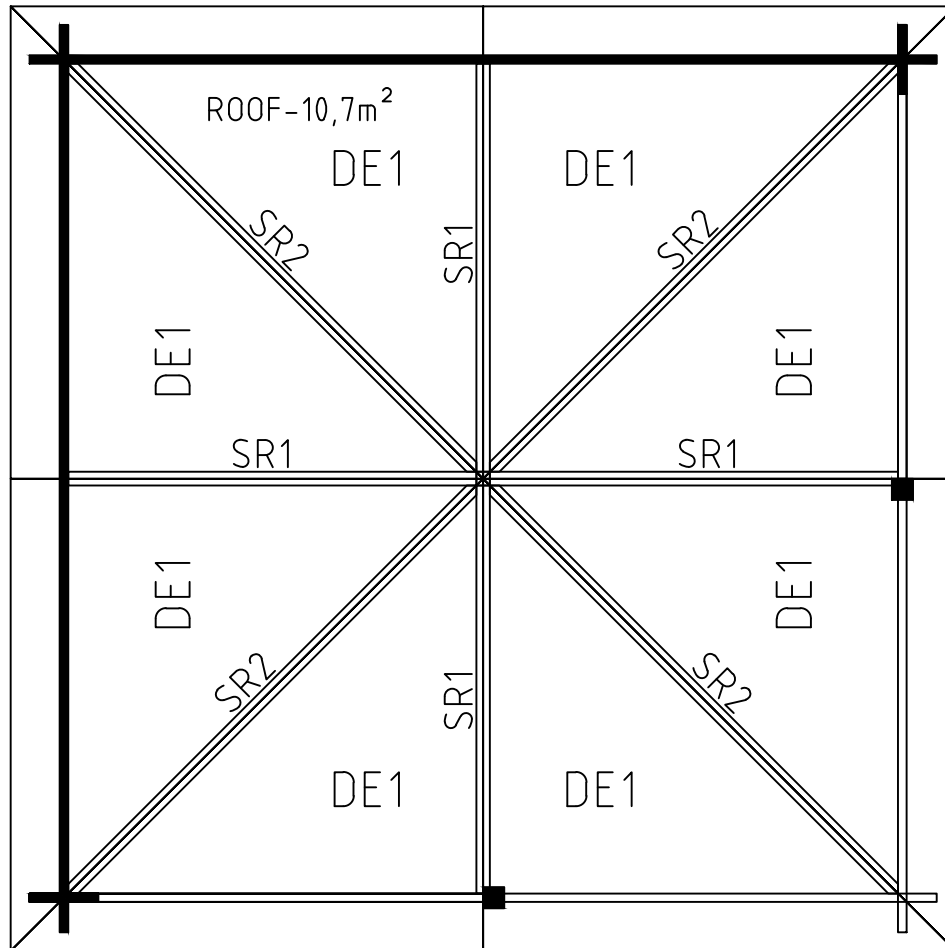


Model	Maik28_Nora28	Page	3
Drawn by	J.Soo	Material	2.8x11.4
Date	03.09.2020	File	Maik28_Nora28.dwg
		Scale	1:25

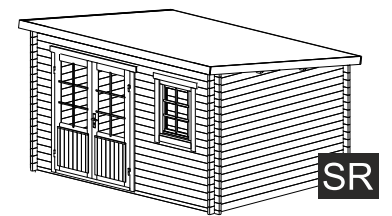
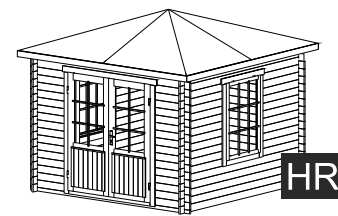
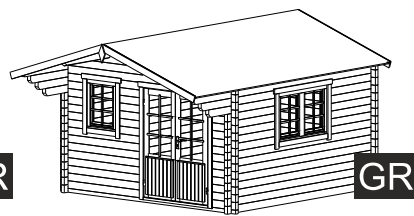
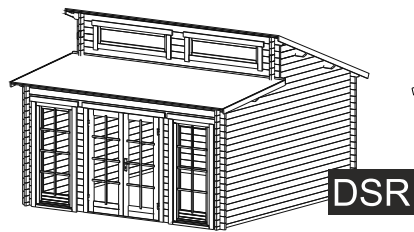
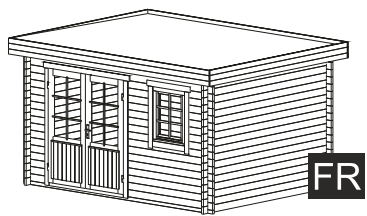


Wall-Wand B ↗

Model	Maik28_Nora28	Page	4
Drawn by	J.Soo	Material	2.8x11.4
Date	03.09.2020	File	Maik28_Nora28.dwg
		Scale	1:25



Model	Maik28_Nora28	Page	ROOF
Drawn by	J.Soo	Material	28x114
Date	03.09.2020	File	Maik28_Nora28.dwg
		Scale	1:25



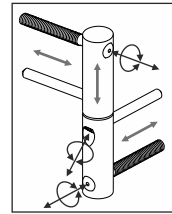
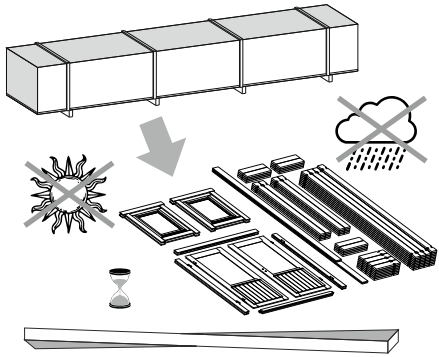
FR

DSR

GR

HR

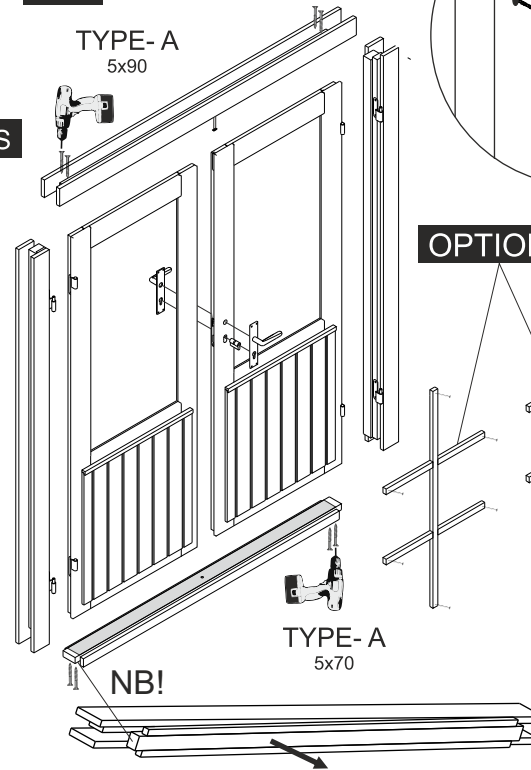
SR



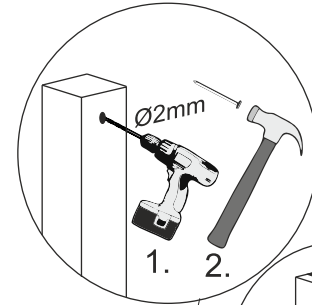
ADJUSTABLE HINGES

3.

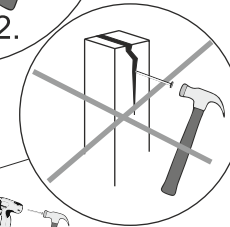
TYPE- A
5x90



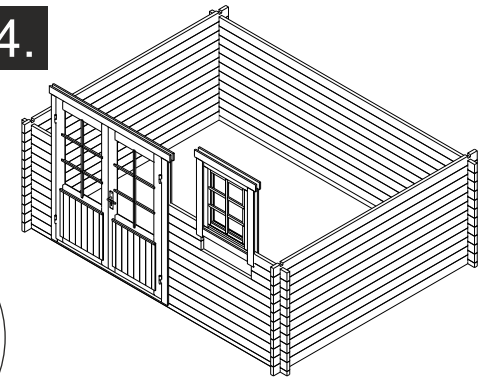
OPTIONS



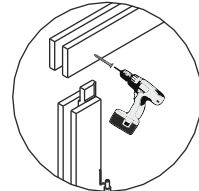
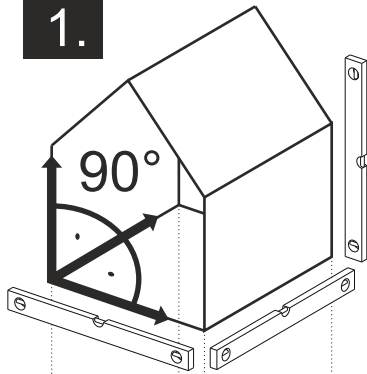
1. 2.



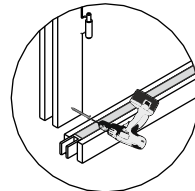
4.



1.

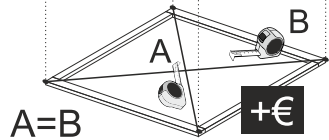
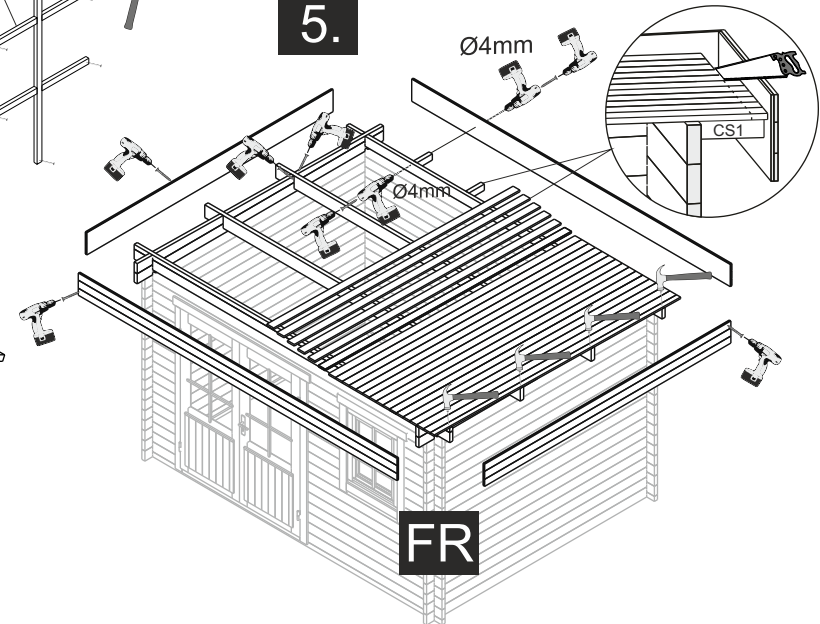


TYPE- B
4x60



5.

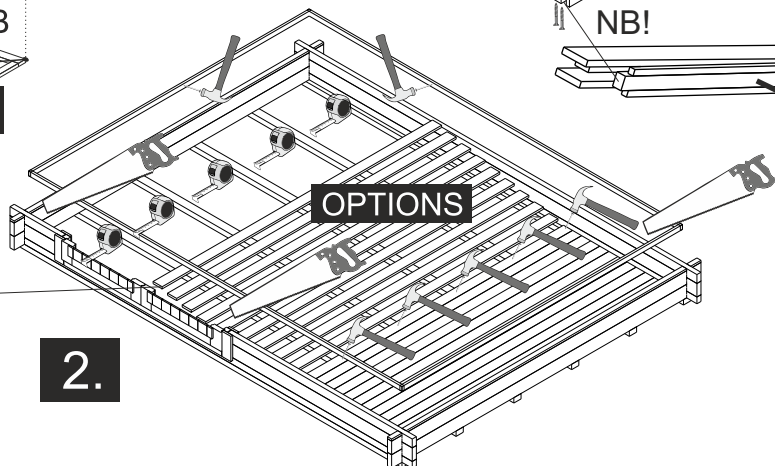
OPTIONS



A=B

+€

2.



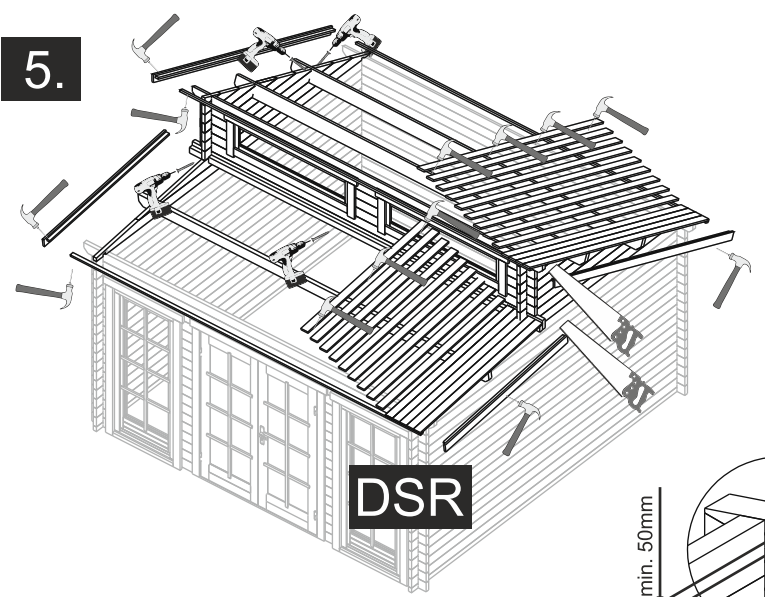
OPTIONS

NB!

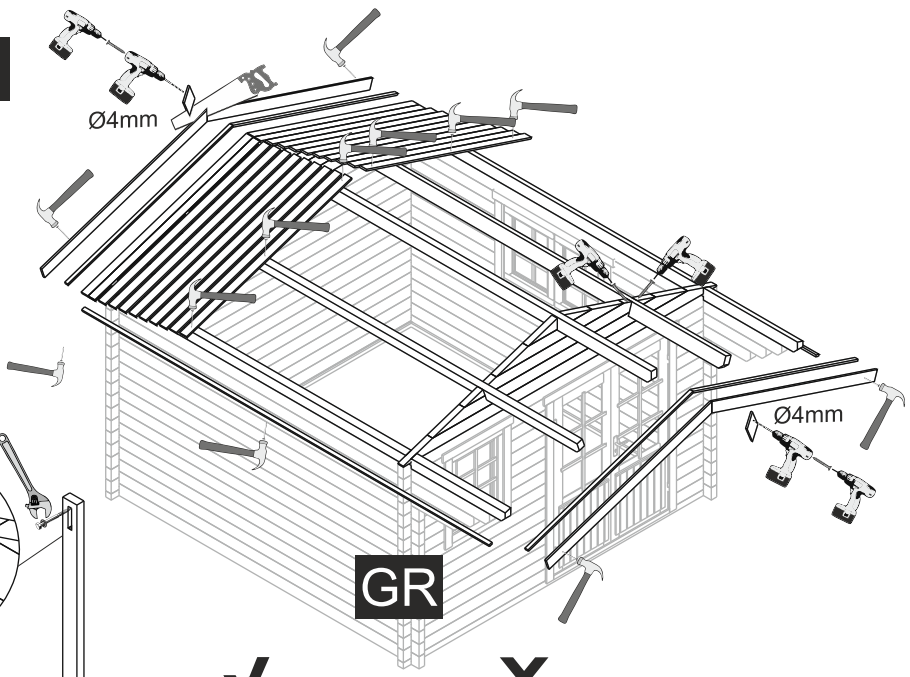
TYPE- A
5x70

The guide is illustrative. This guide is not project specification.
Der Leitfaden ist illustrativ. Dieser Leitfaden ist keine Projektspezifikation.
De gids is illustratief. Deze gids is geen projectspecificatie.

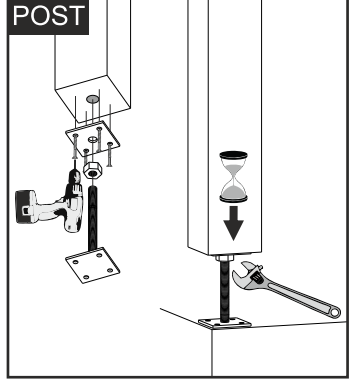
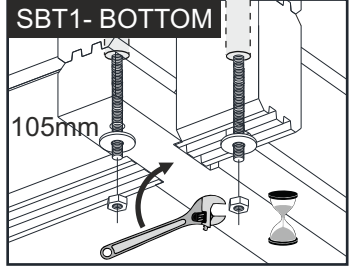
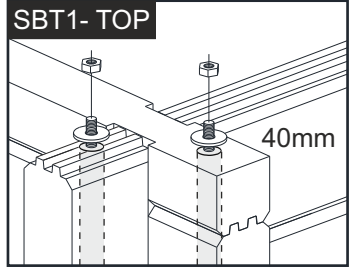
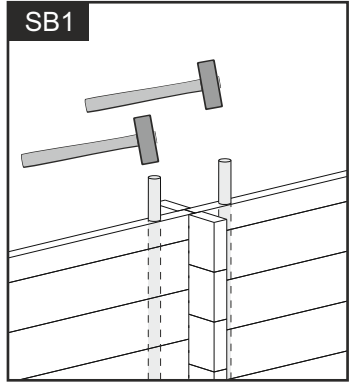
5.



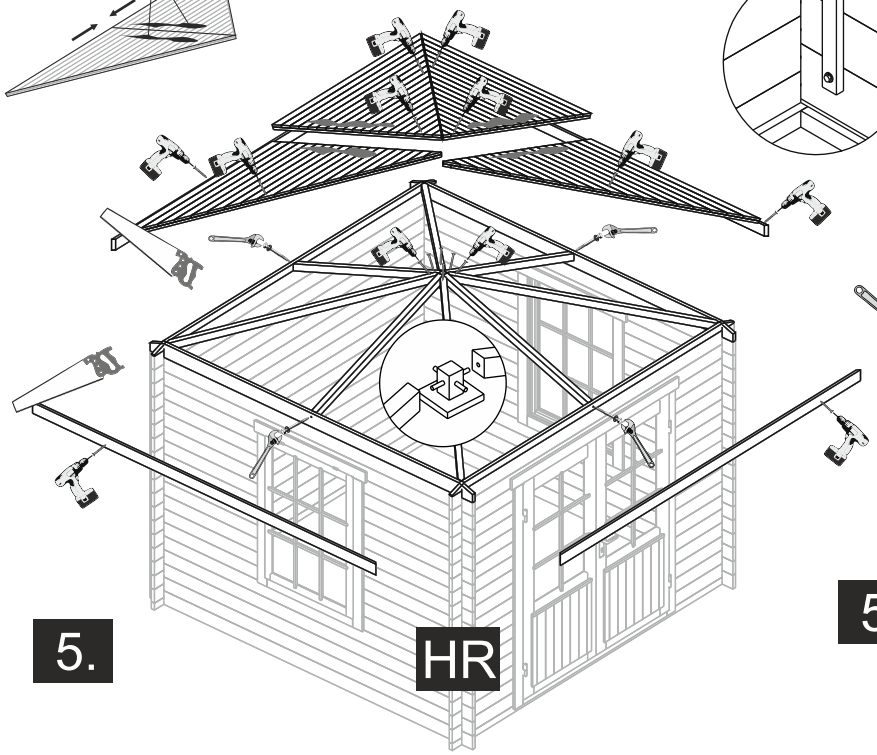
5.



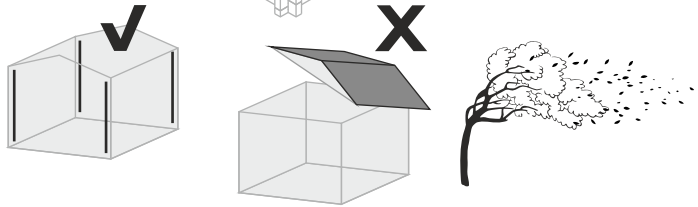
OPTIONS



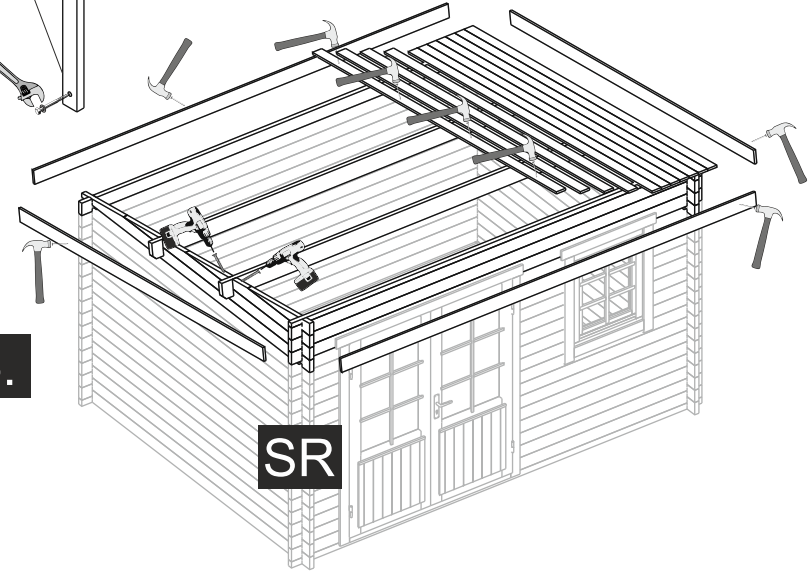
NB!



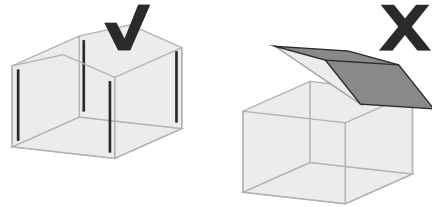
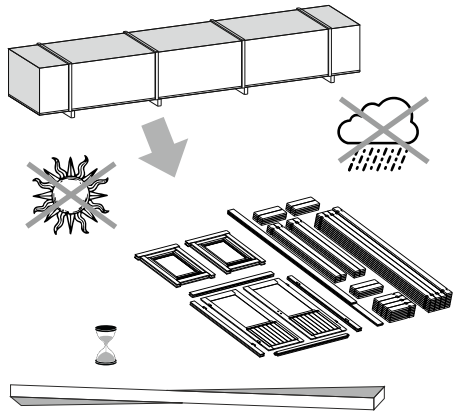
5.



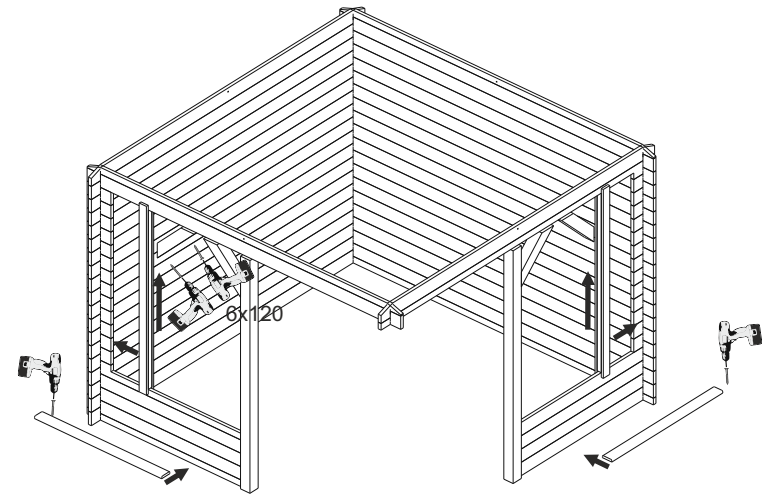
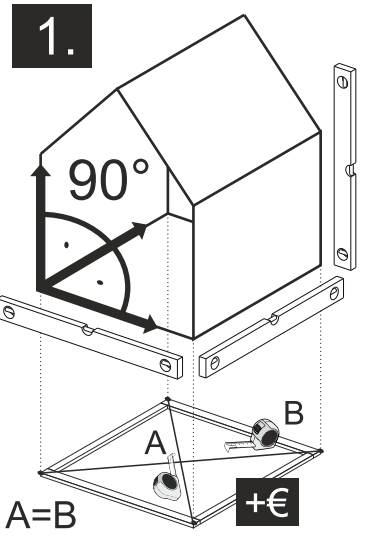
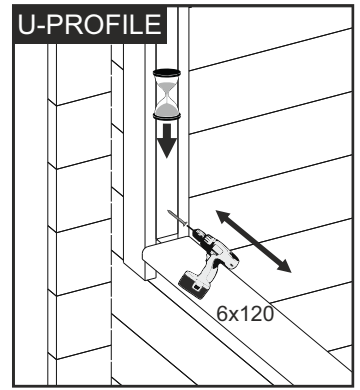
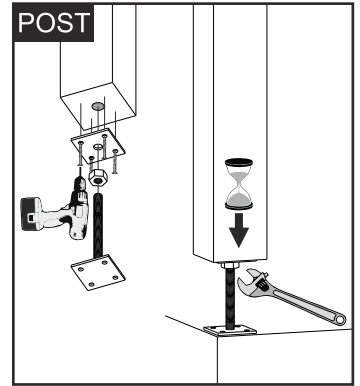
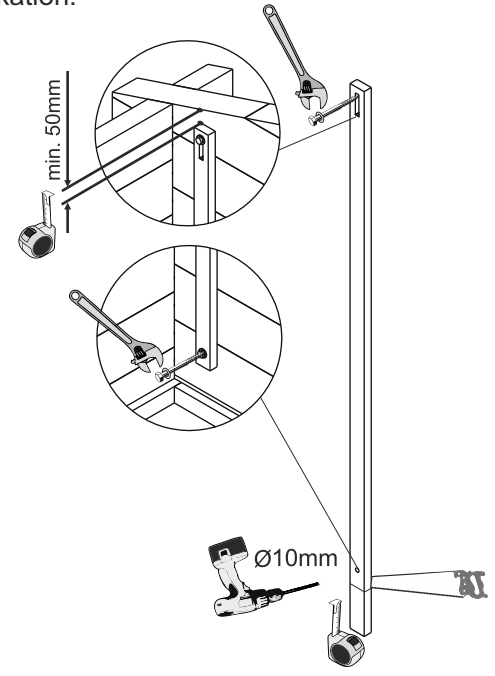
5.



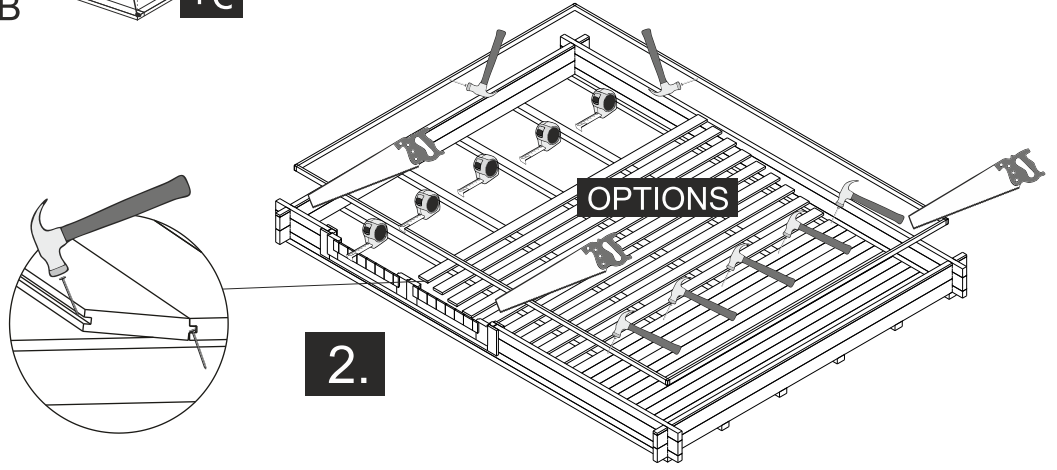
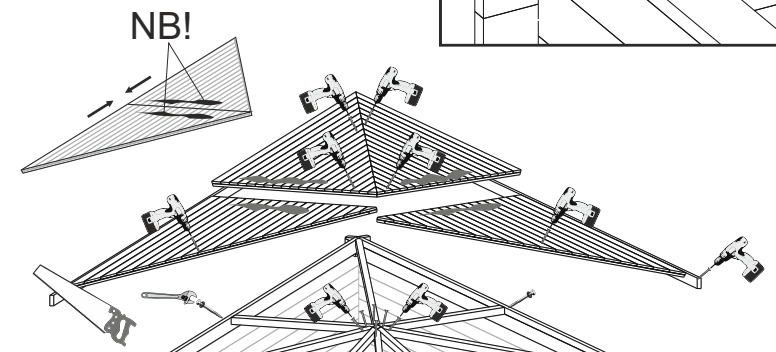
The guide is illustrative. This guide is not project specification.
 Der Leitfaden ist illustrativ. Dieser Leitfaden ist keine Projektspezifikation.
 De gids is illustratief. Deze gids is geen projectspecificatie.



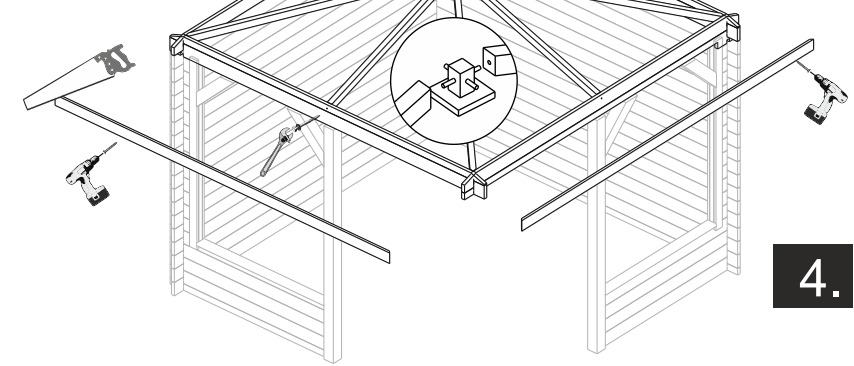
OPTIONS- STORM BRACES



3.



2.



4.