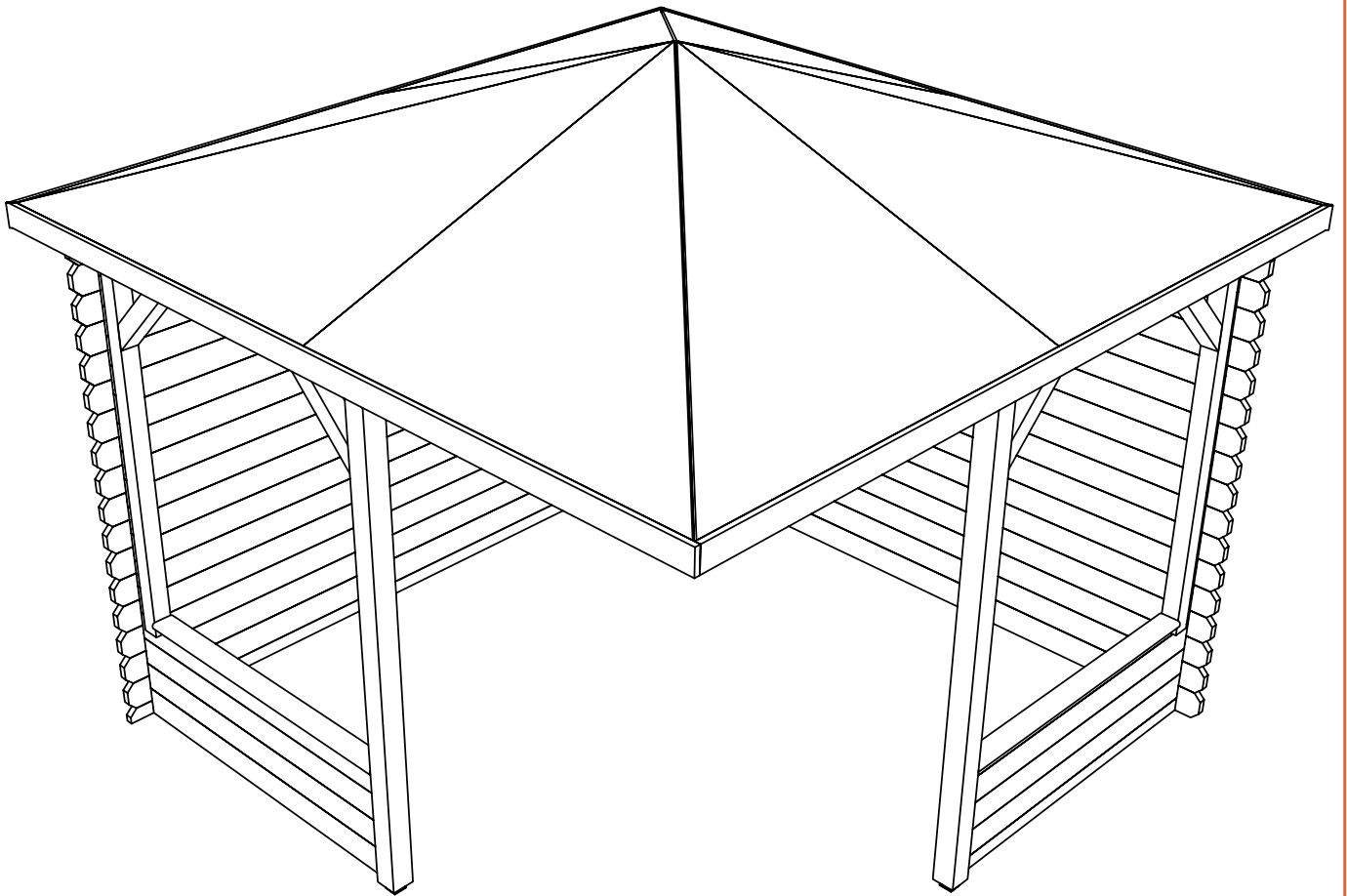
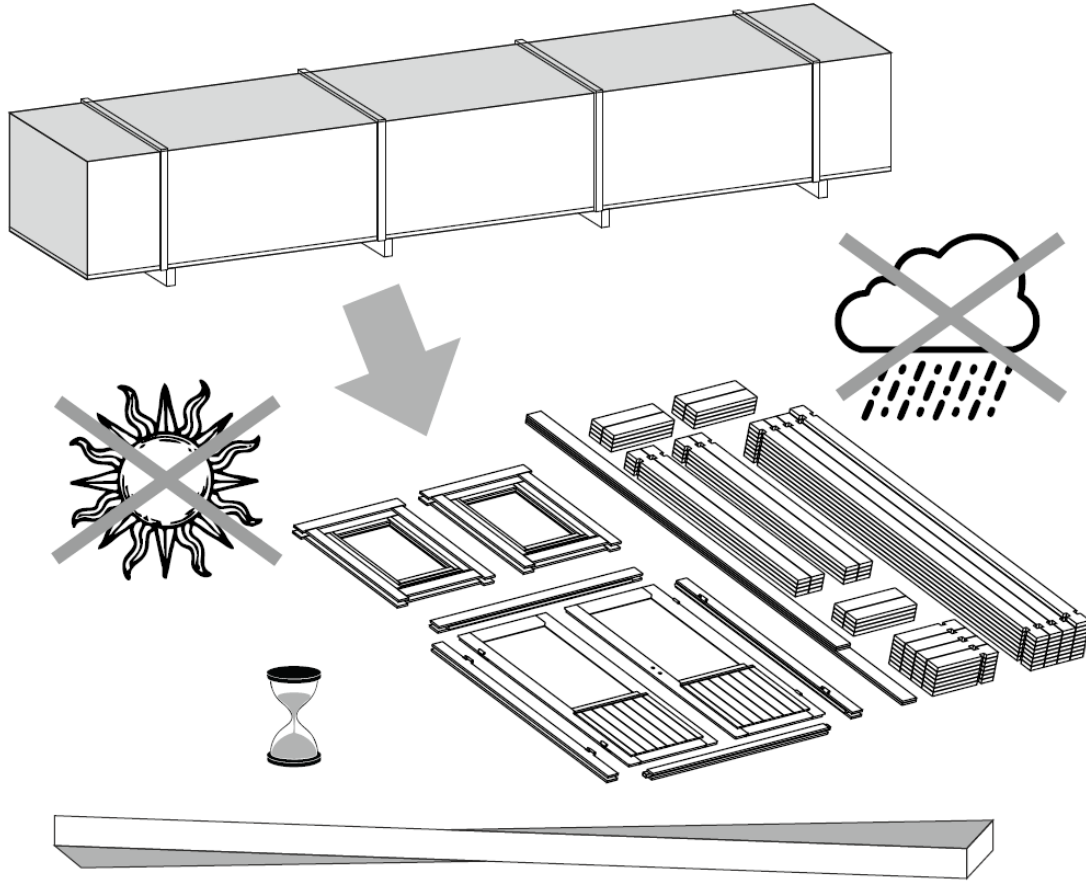
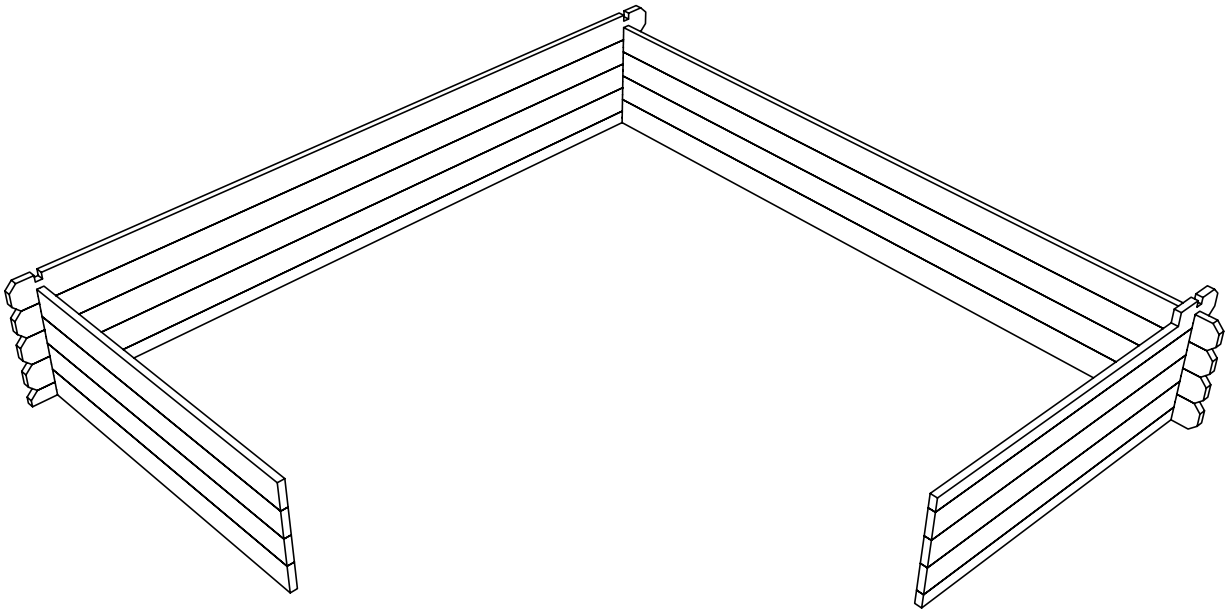
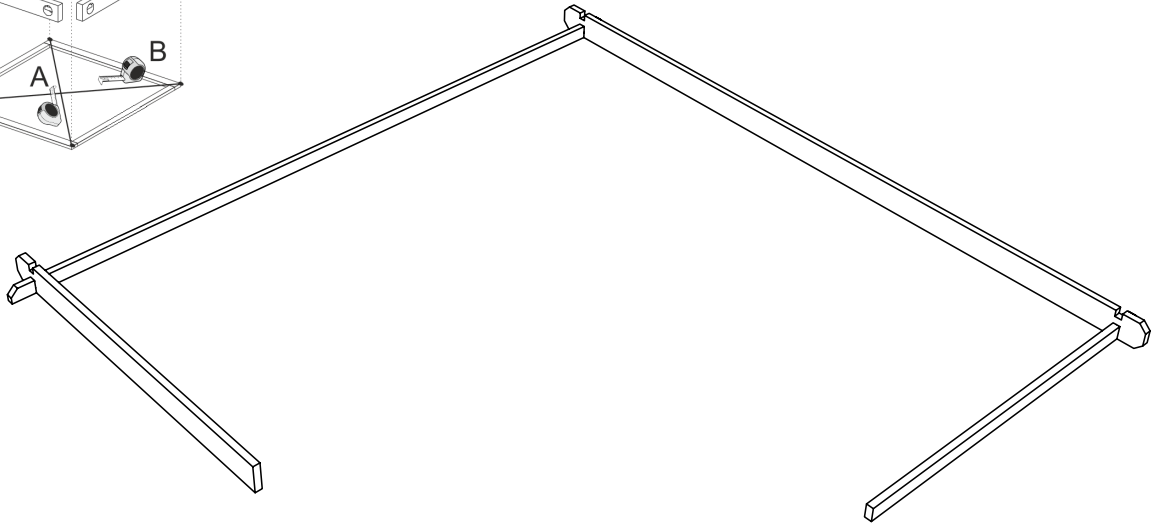
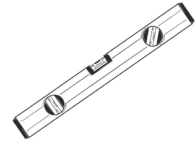
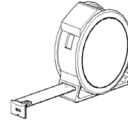
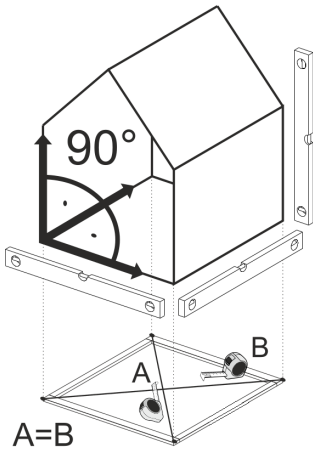


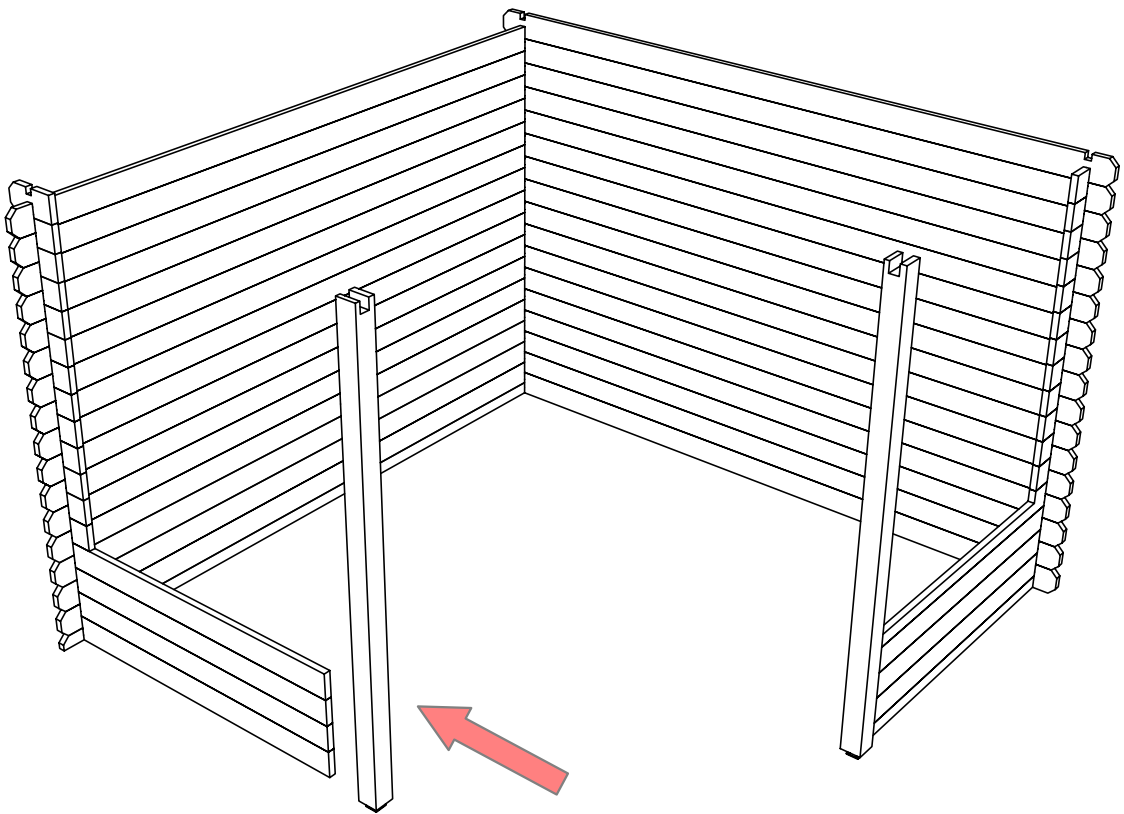
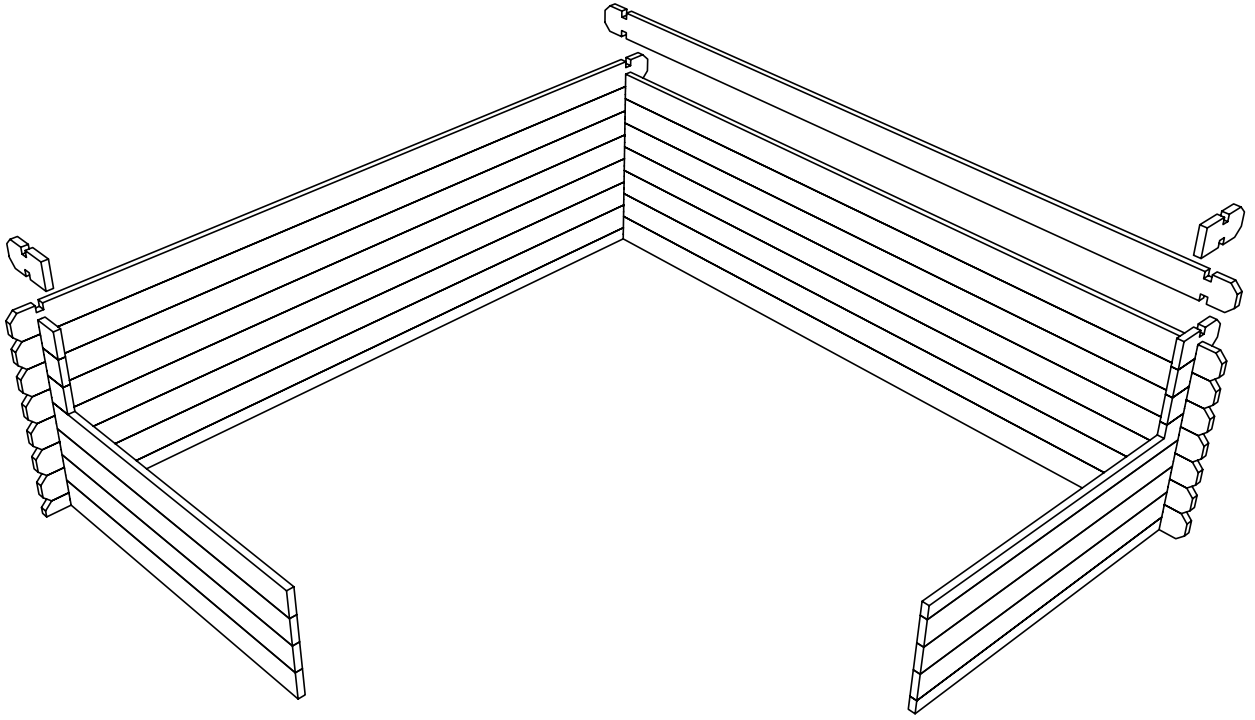
Alphol 



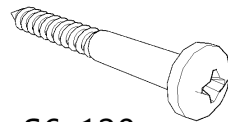
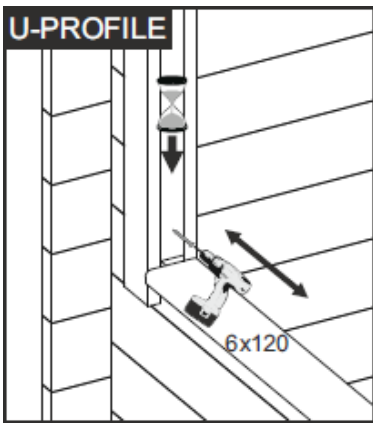
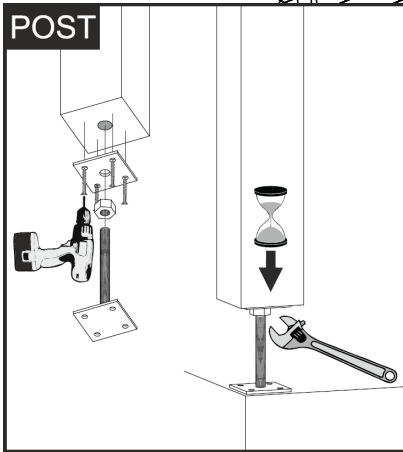
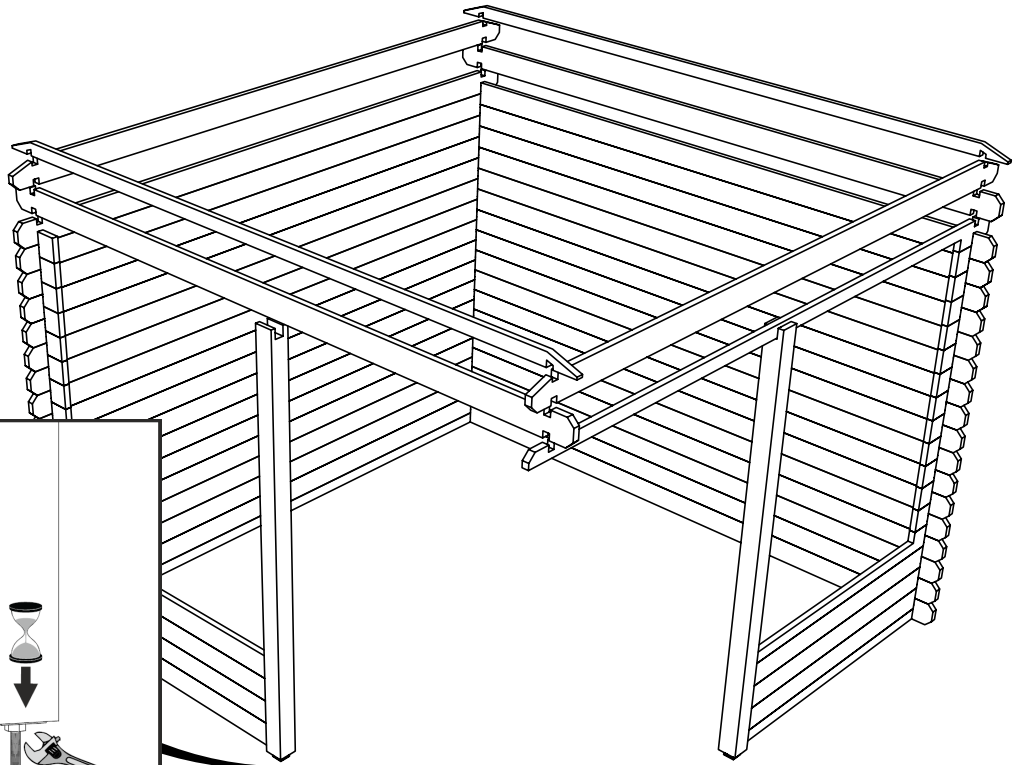
Maik 28



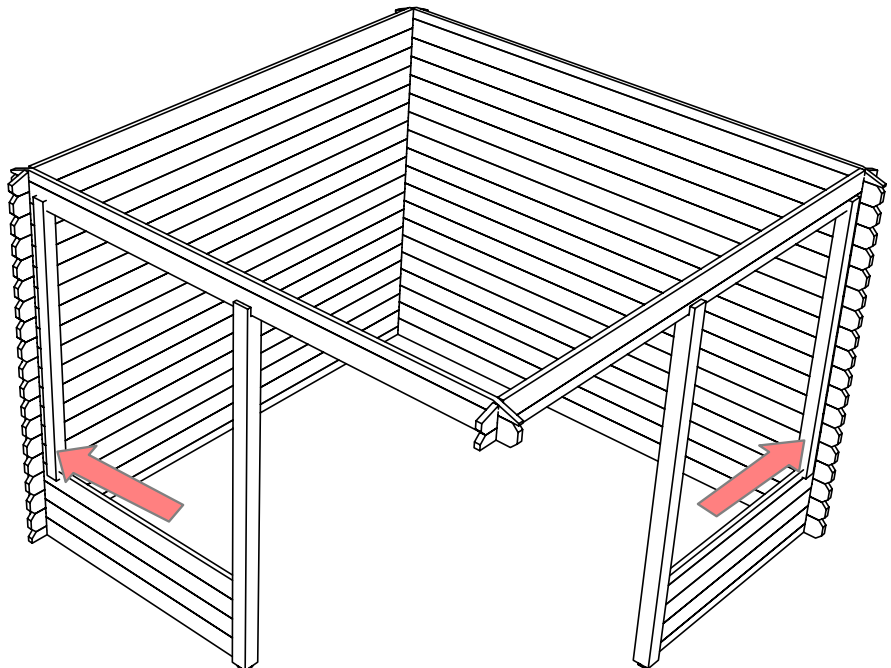


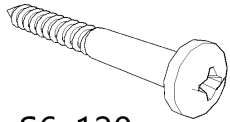
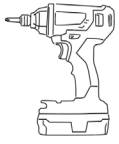


2

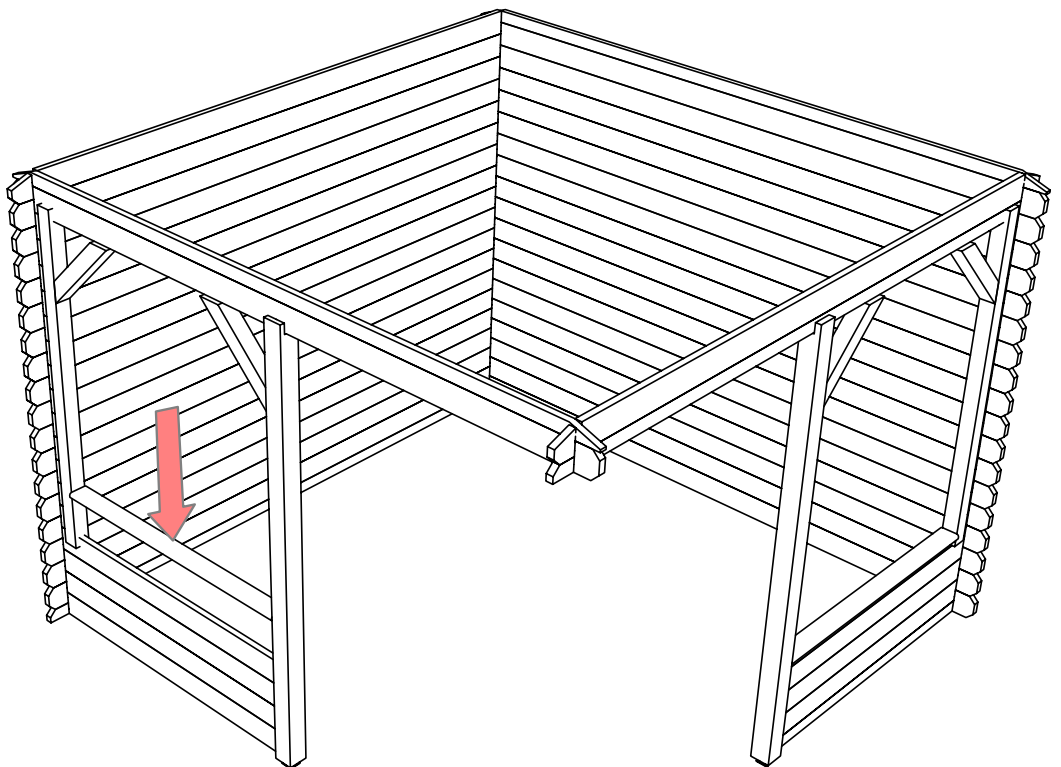
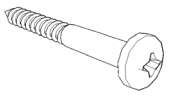
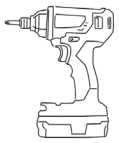
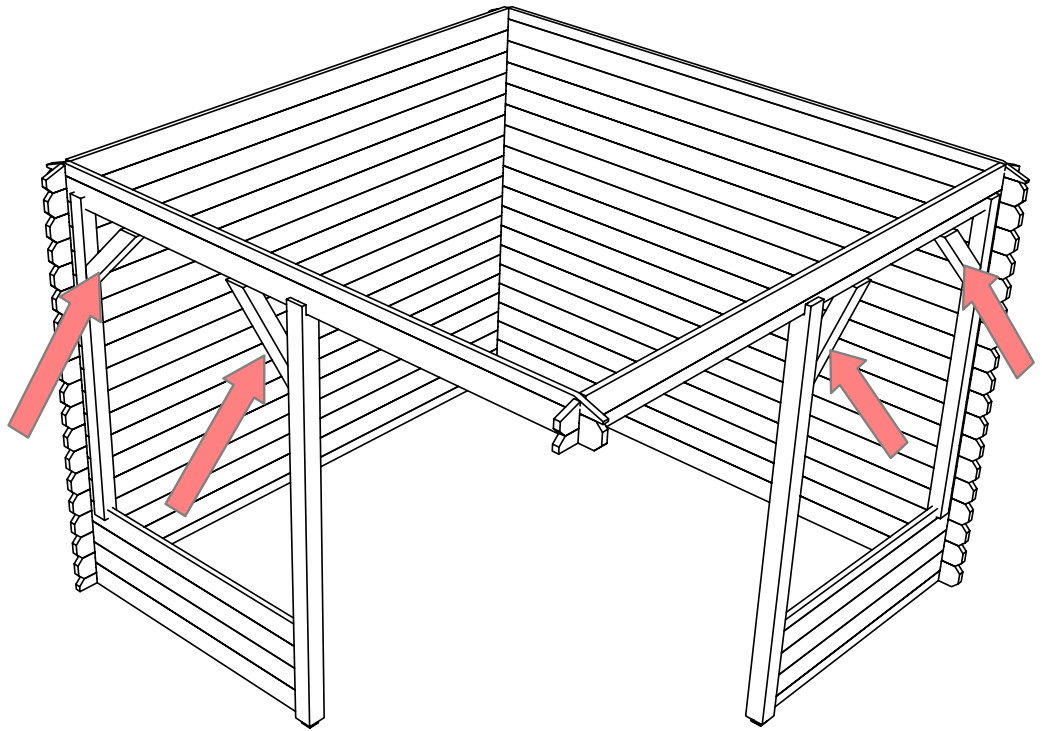


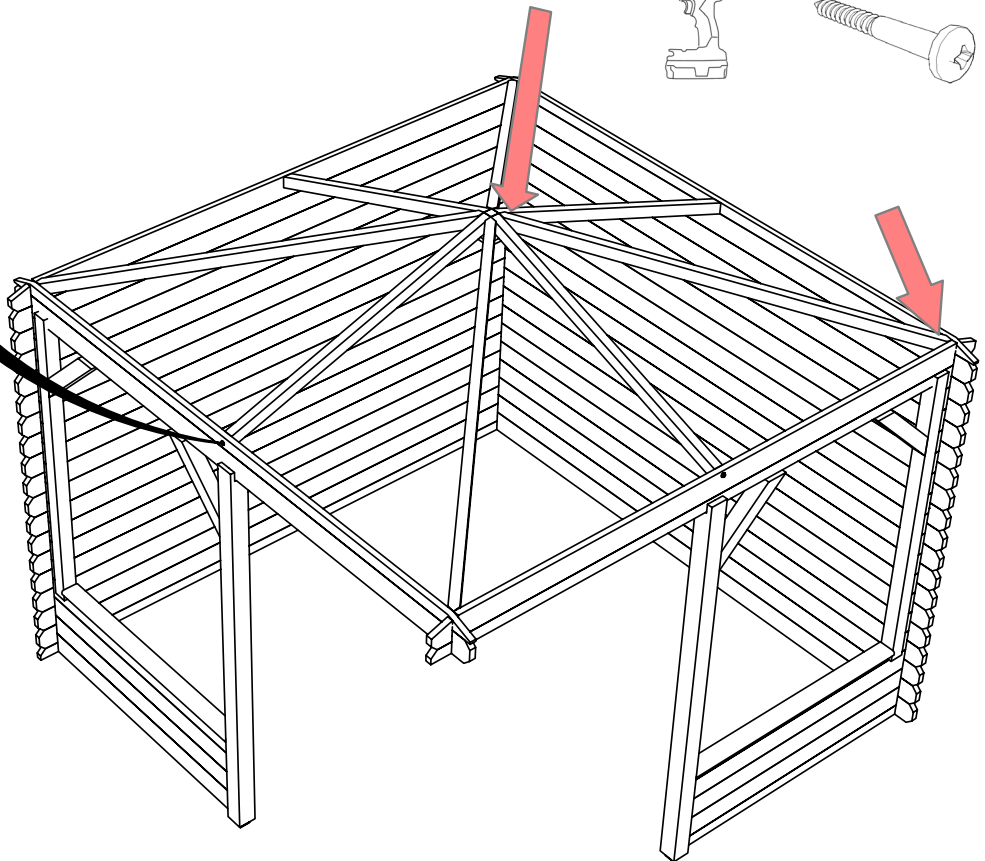
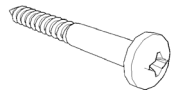
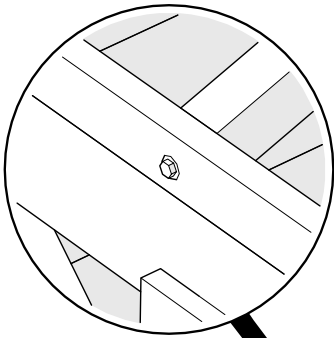
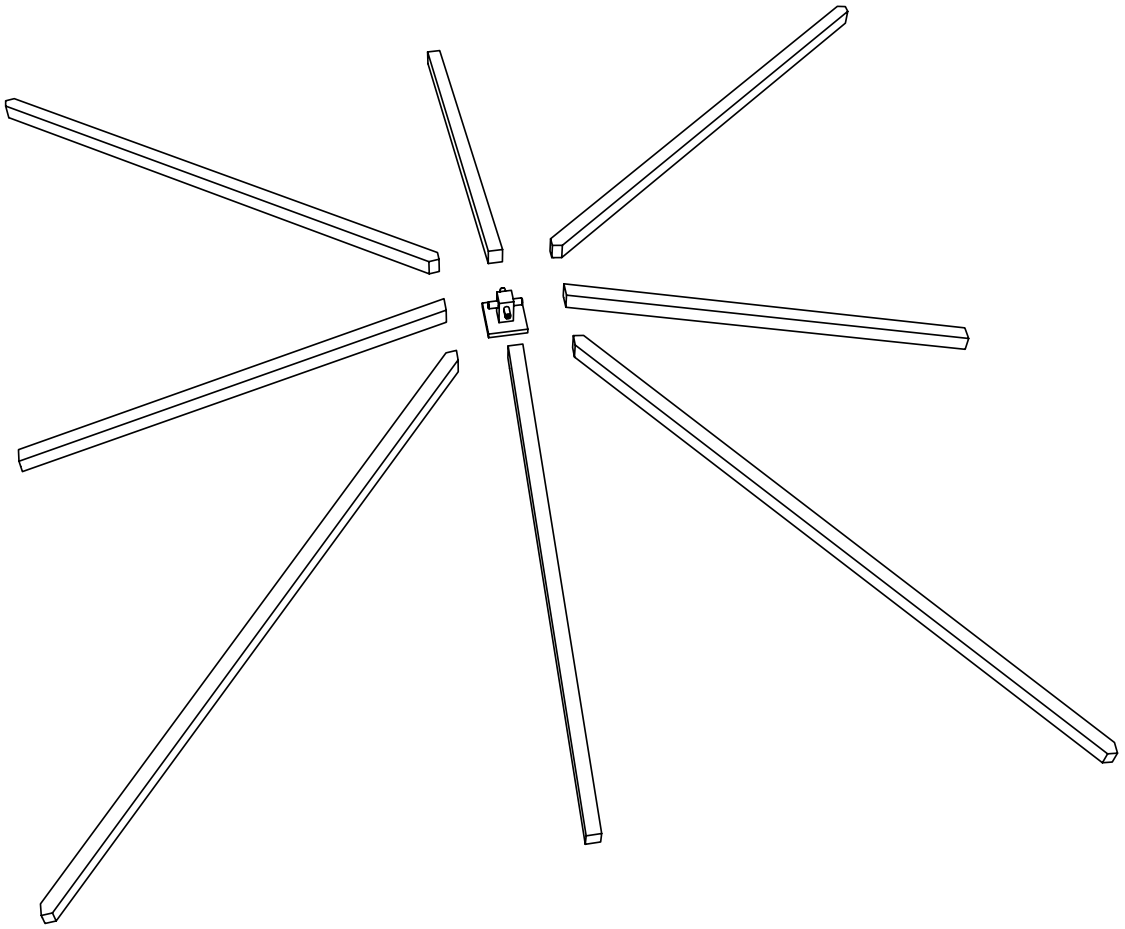
S6x120

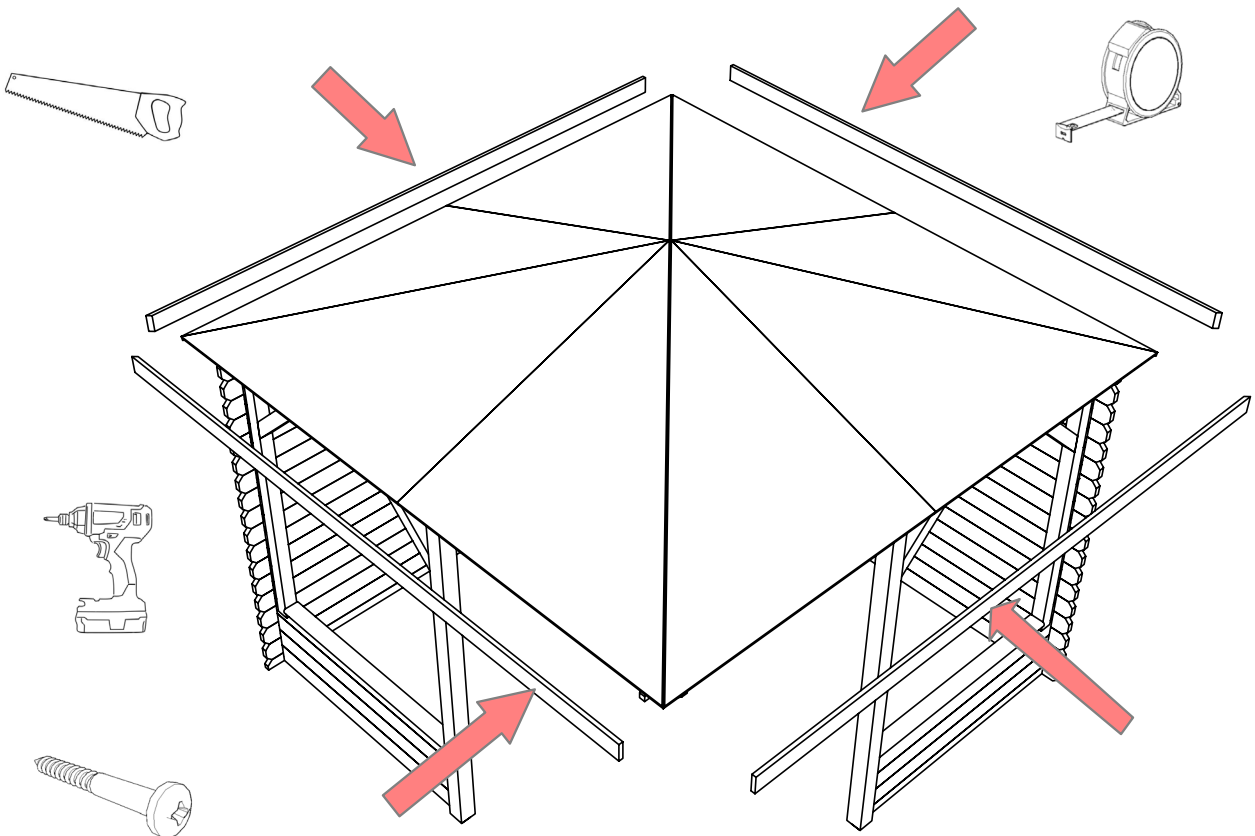
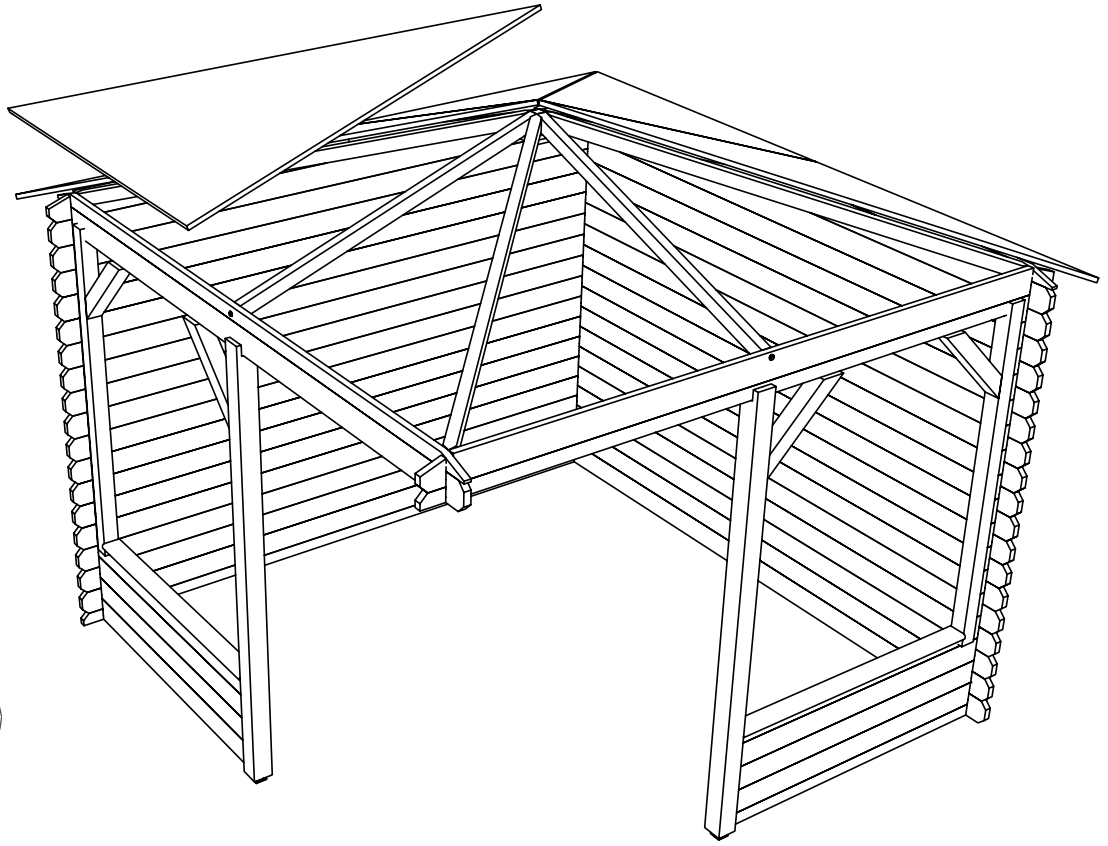


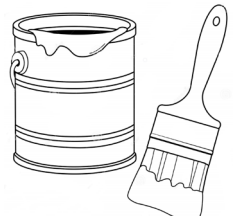
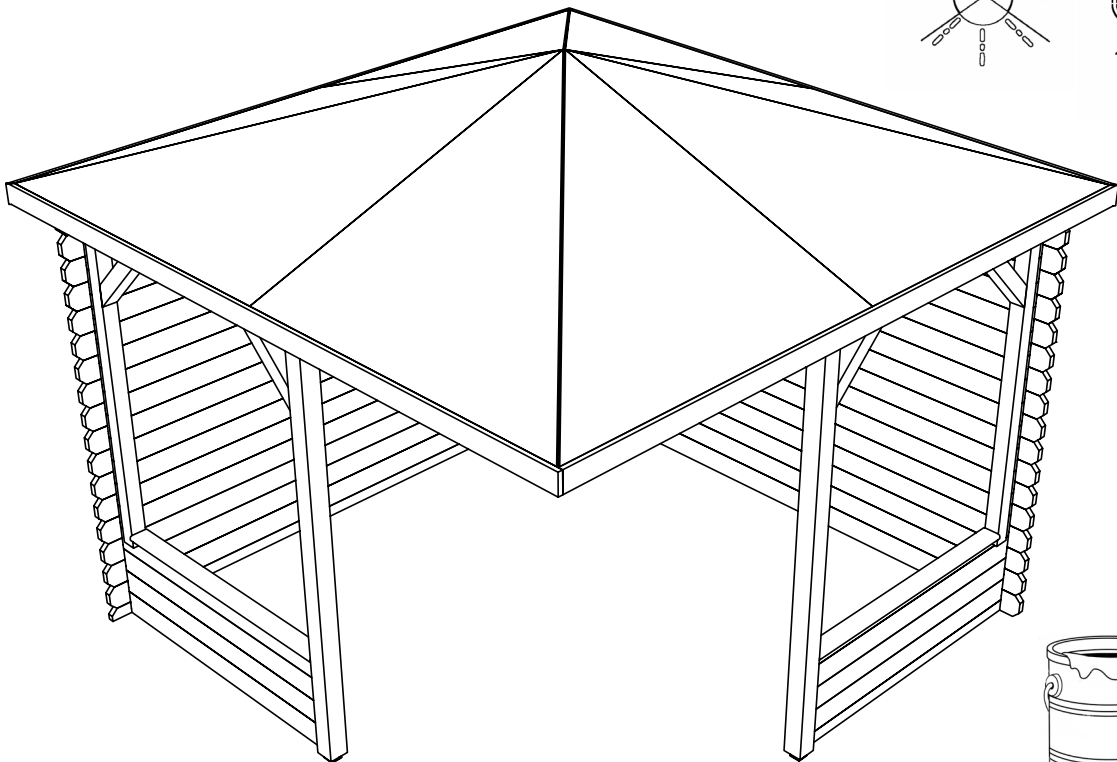
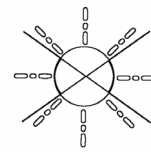
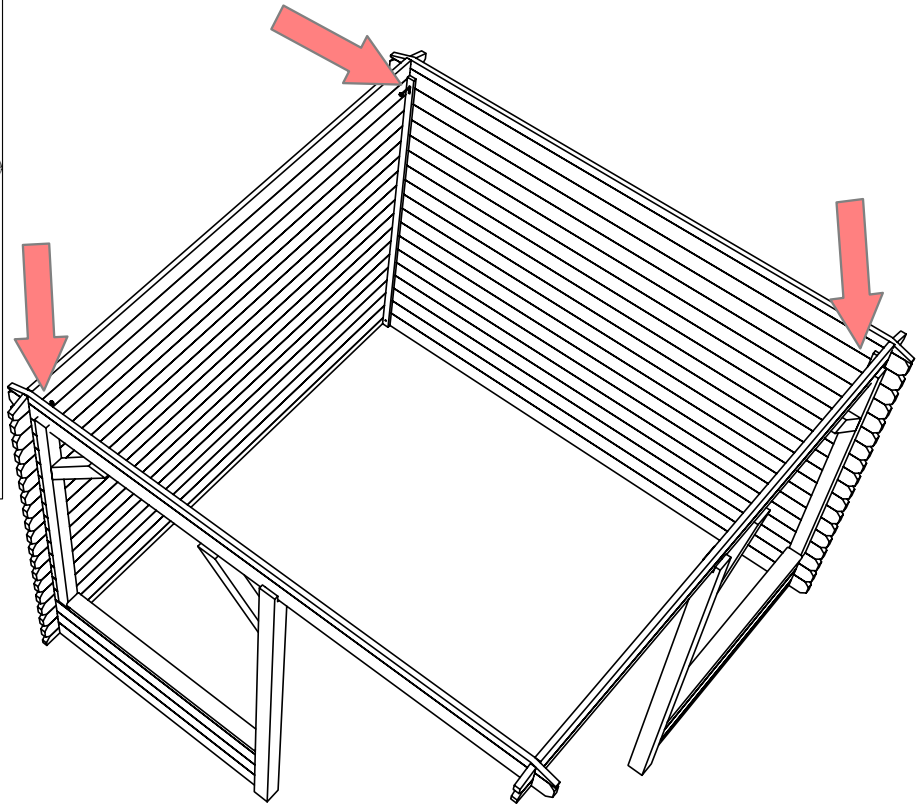
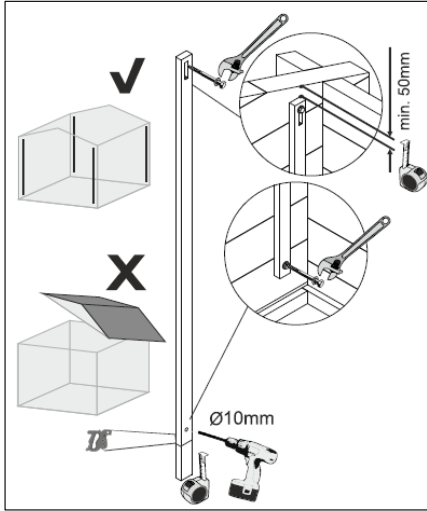


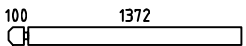
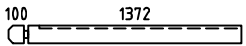
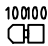
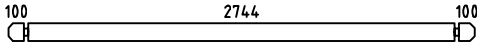
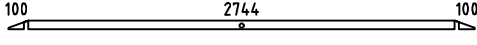
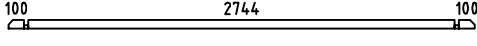
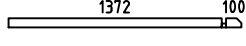
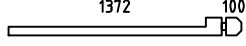
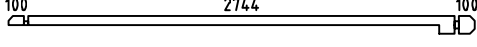
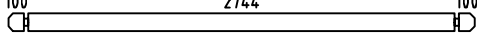
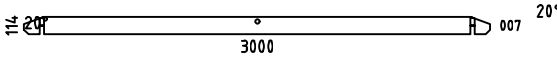
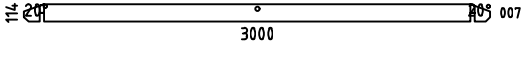
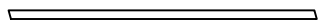
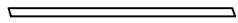
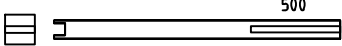
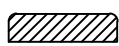

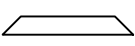
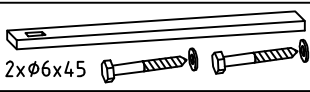
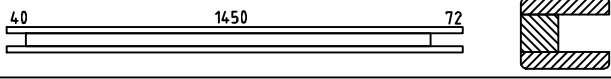



S6x120



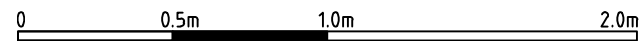
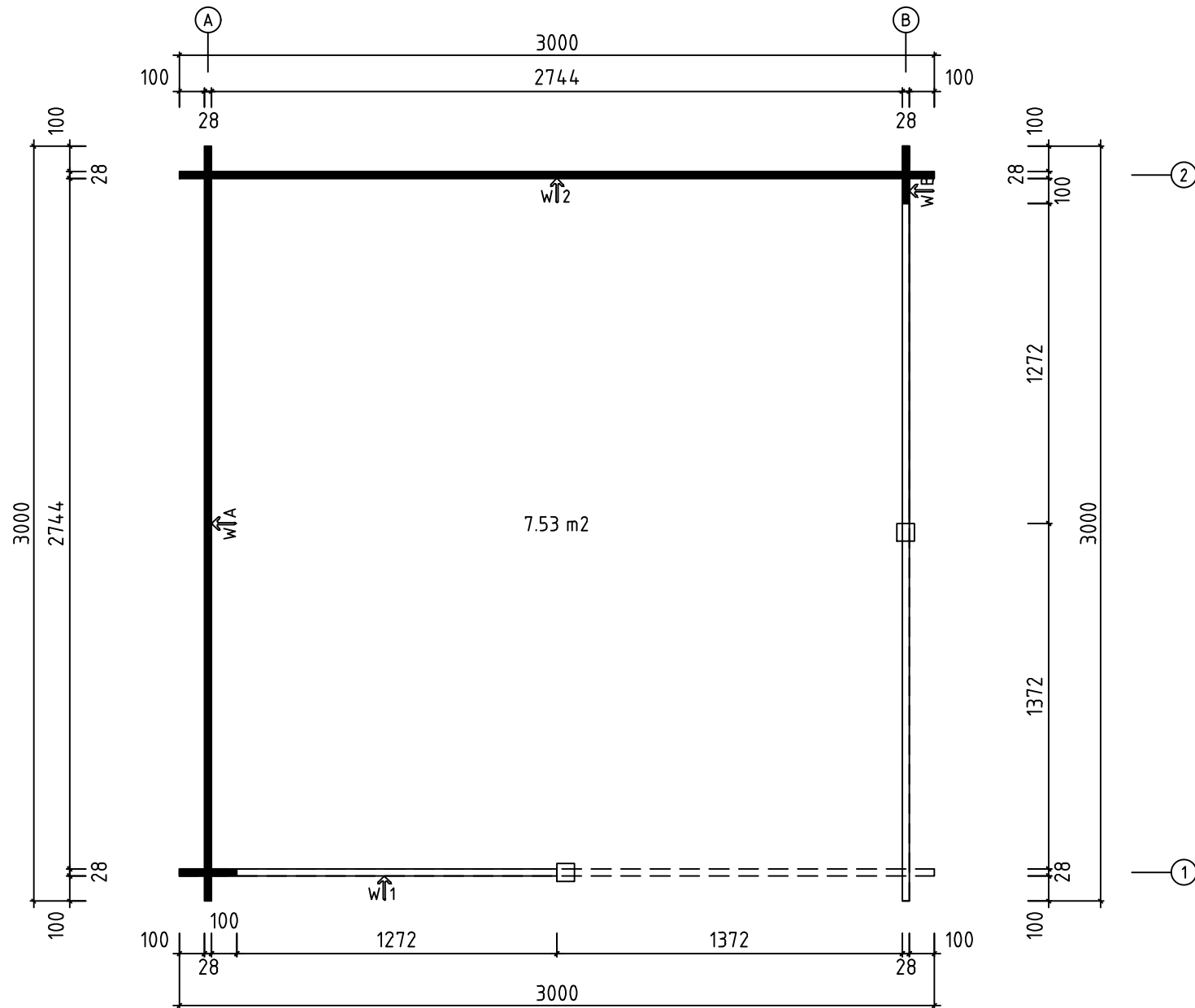





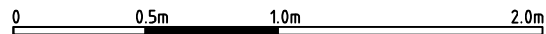
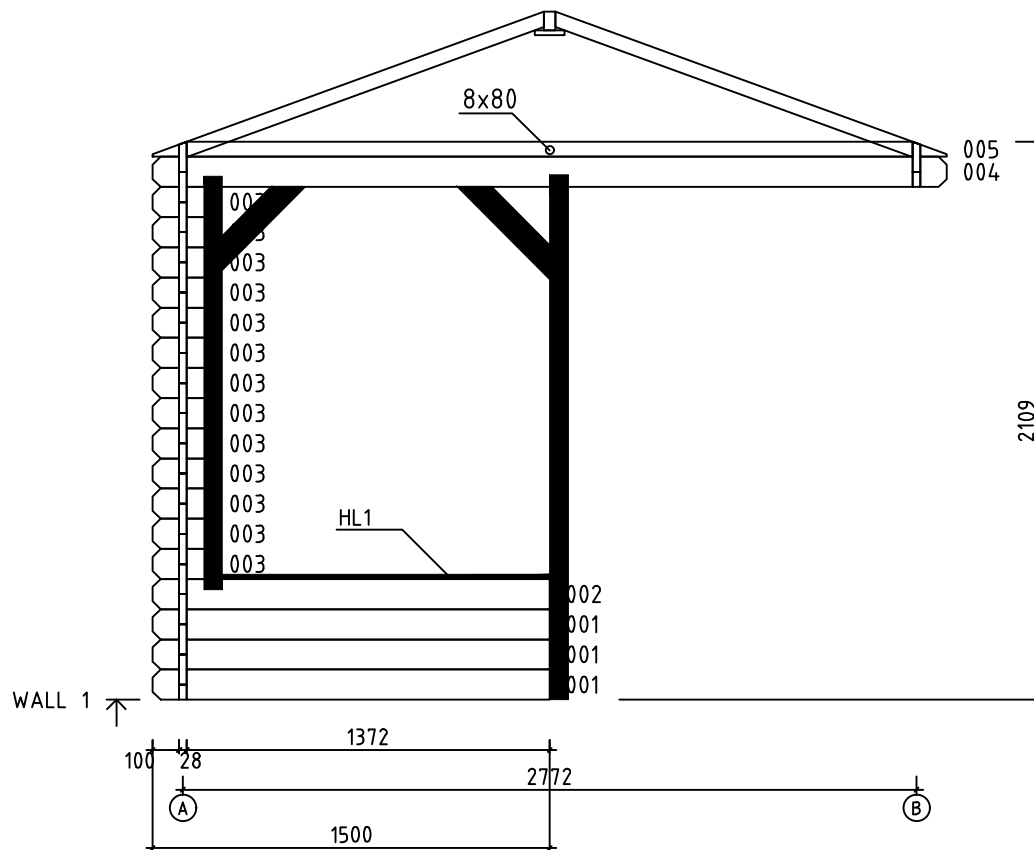


Pos	Specification-Spezifikation-Specificatie-Nomenclature-Elementi-Especificacion Maik 28	Qty	Profile (mm)	Lenght (mm)		
001		6	28x114	1500		
002		1	28x114	1500		
003		25	28x114	228		
004		36	28x114	3000		
005		2	28x57	3000		
006		1	28x57	3000		
008		1	28x57	1500		
009		1	28x114	1500		
010		1	28x114	3000		
EXTRA		1	28x114	3000		
WA-1		1				
WB-1		1				
RT2	RAFTER-SPARREN-DAKSPAR-CHEVRON-TRAVE-CABRIO 	4	44x55	1986		
RT1	RAFTER-SPARREN-DAKSPAR-CHEVRON-TRAVE-CABRIO 	4	44x55	1458		
	-POST 8.5x8.5 	2	85x85	1983		
GB-1	Gable board 70-Giebelblende-Gevelp plank-Planche de rive-Tavola di bordo-Tabla de borde 	4	18x70	3250		
	Handrail 70-Handlauf-Leuning-Rampe-Corrimano-Pasamano 1.8x7 	2	18x70	1272		
	Post diagonal 8.5x8.5 	4	85x85	500		
SS-1	Storm slat kit-Sturmleiste satz-Stormanker set-Kit de latte anti tempête-Kit listello di tempesta-Kit liston anti tormenta 	3	18x40	2000		
	U-Profile 	2		1562		
	Adjustable foot kit-Pfosten-träger-Paalhouder-Pied de poteau-Portapilastrini-Base para poste 	2				
C8x80	Coach screw kit 8x80-Holzschraube-Houtdraadbout-Tirefond-Vite tirafondo-Tornillo entrenador 	4	8x80			
RPC	Ridge piece-Firstelement-Nokstuk-Faitage-Colmo-Cumeeira 	1				
Kood	Maik 28	Materjal	File	Maik 28.dwg	Leht	1/2

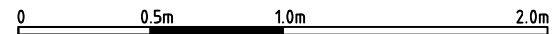
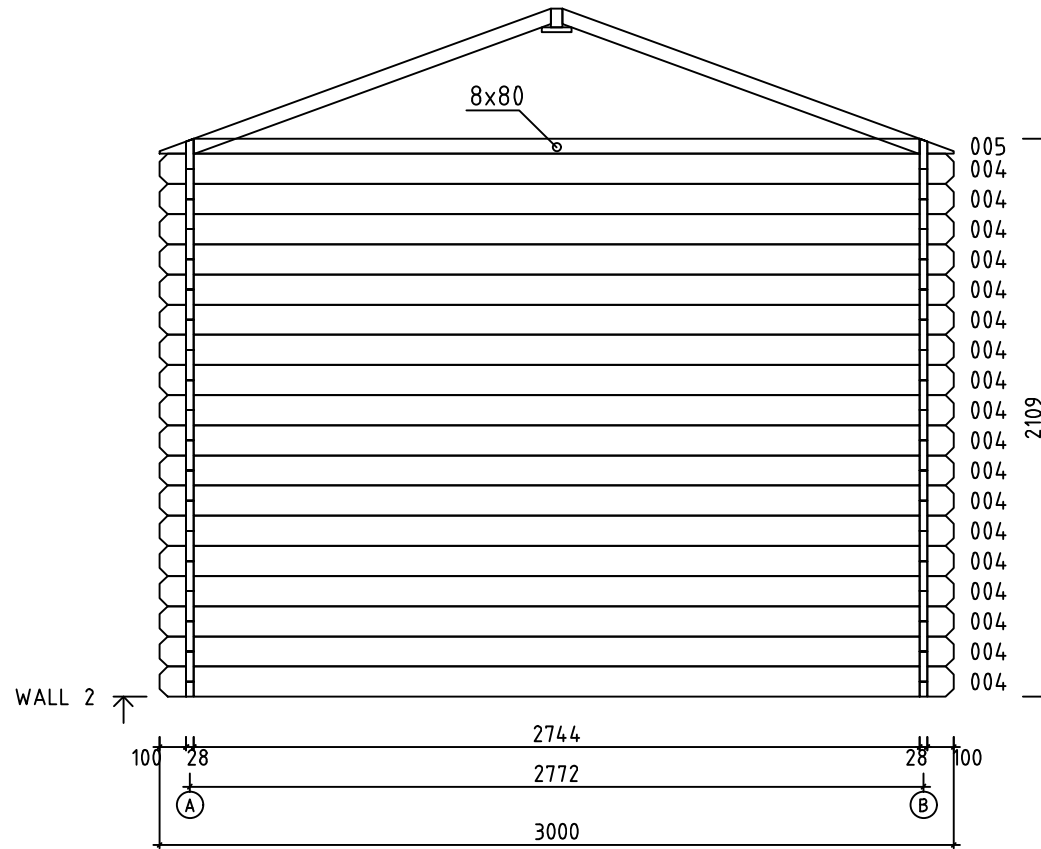
H = 1.600 m
TOTAL: 7.53 m²



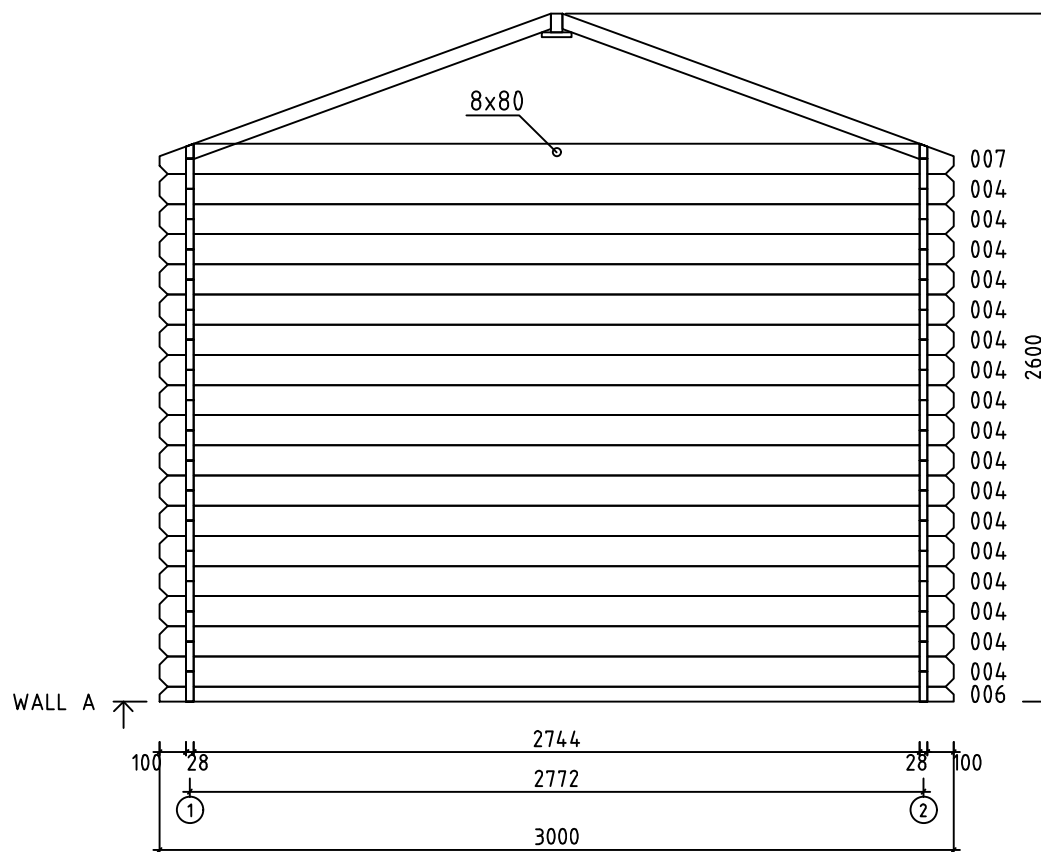
Model	Maik 28	Drawing	PLAN	Page
	Drawn by	J.S	Material	28x114
	Date	22.03.2023	File	Maik 28.dwg
		Scale	1:20	



Model	Maik 28	Drawing	WALL 1	Page	4
		Drawn by	J.S	Material	2.8x11.4
		Date	22.03.2023	File	Maik 28.dwg
		Scale	1:20		

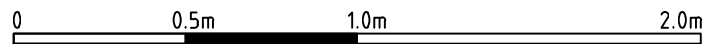
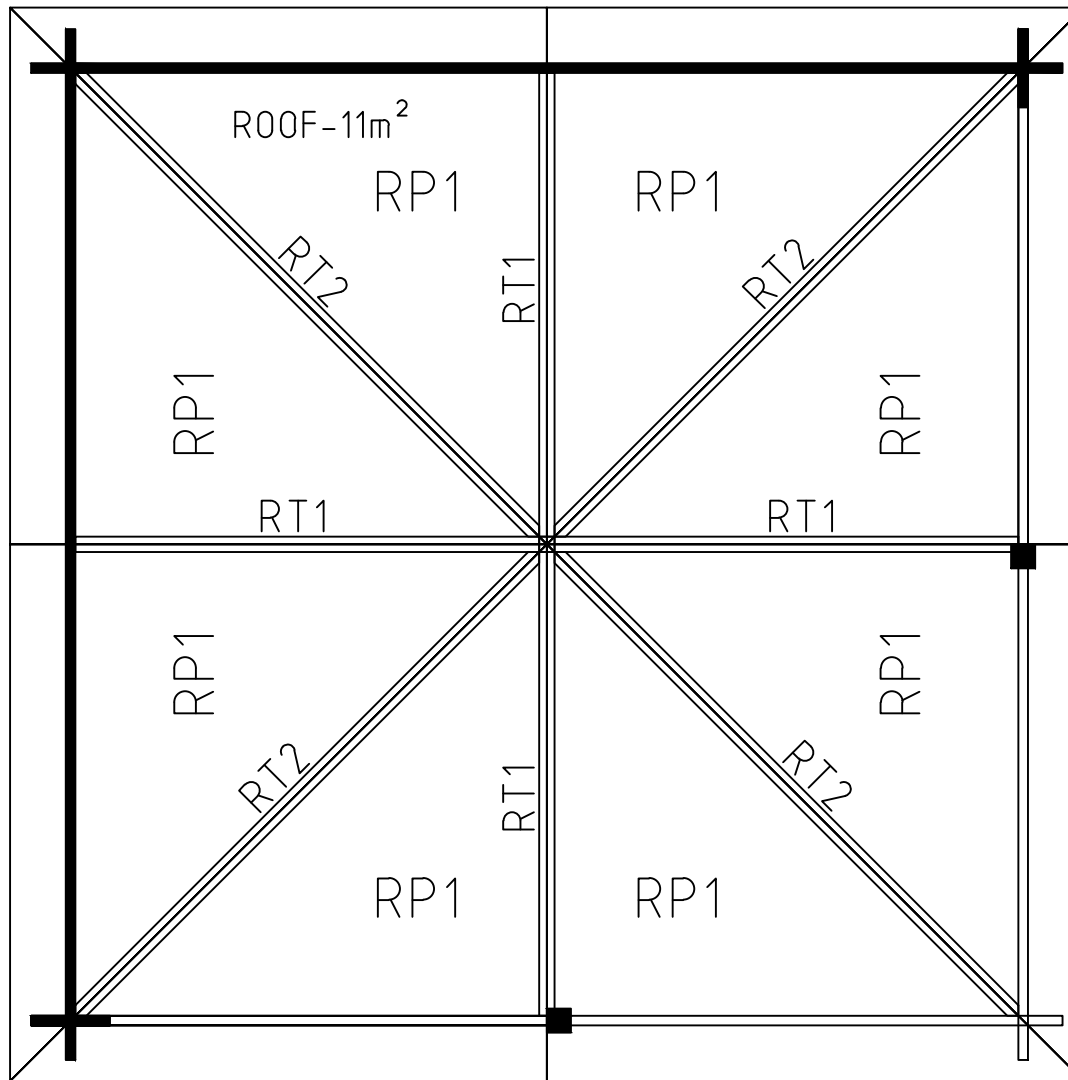


Model	Maik 28	Drawing	WALL 2	Page	5	
	Drawn by	J.S	Material	2.8x11.4	Scale	1:20
	Date	22.03.2023	File	Maik 28.dwg		



0 0.5m 1.0m 2.0m

Model	Maik 28	Drawing	WALL A	Page	2
		Drawn by	J.S	Material	2.8x11.4
		Date	22.03.2023	File	Maik 28.dwg
		Scale	1:20		



Model	Maik 28	Drawing	R00F	Page
		Drawn by	J.S	Material
		Date	22.03.2023	File
			Scale	1:20
		Maik 28.dwg		