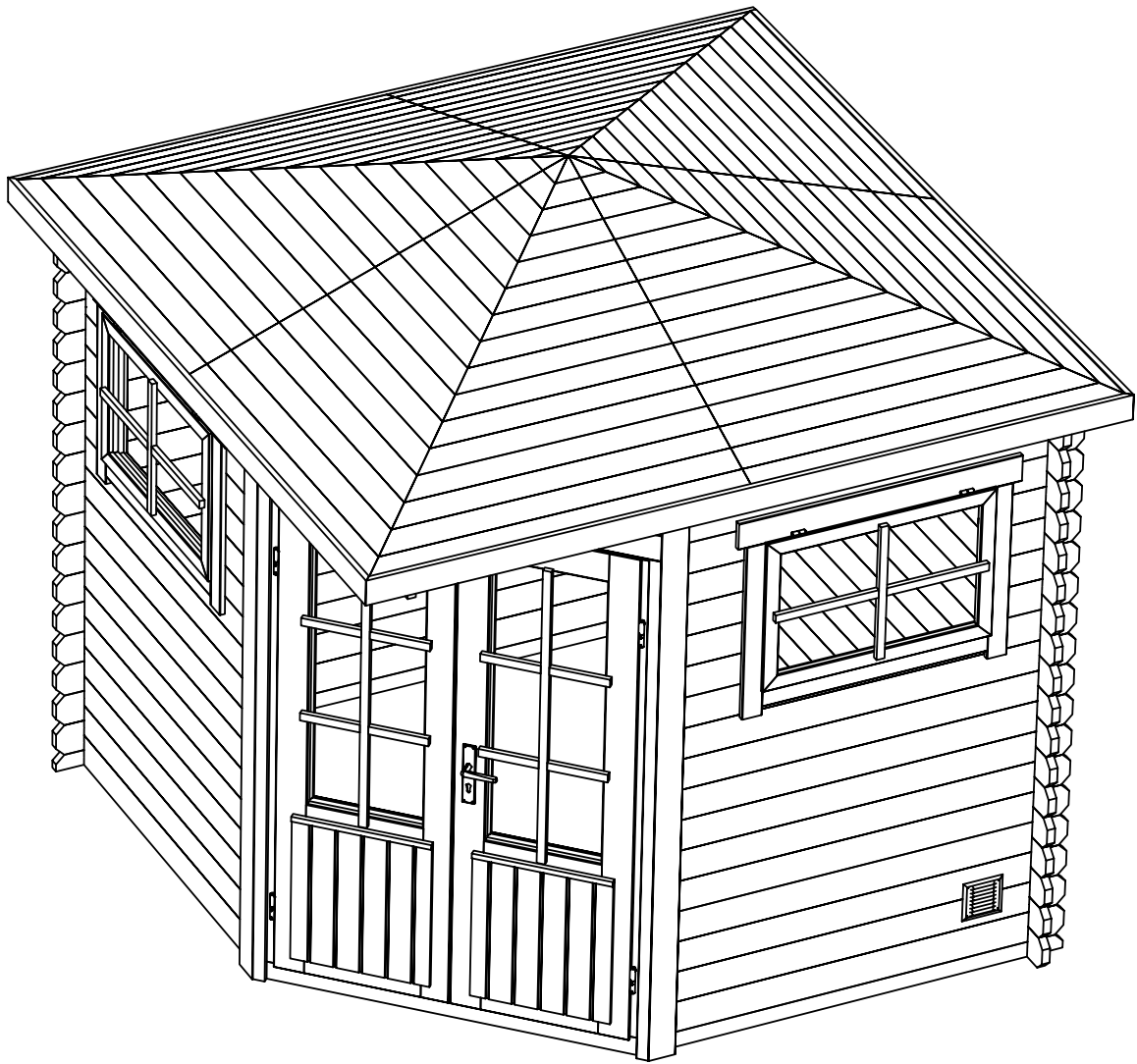
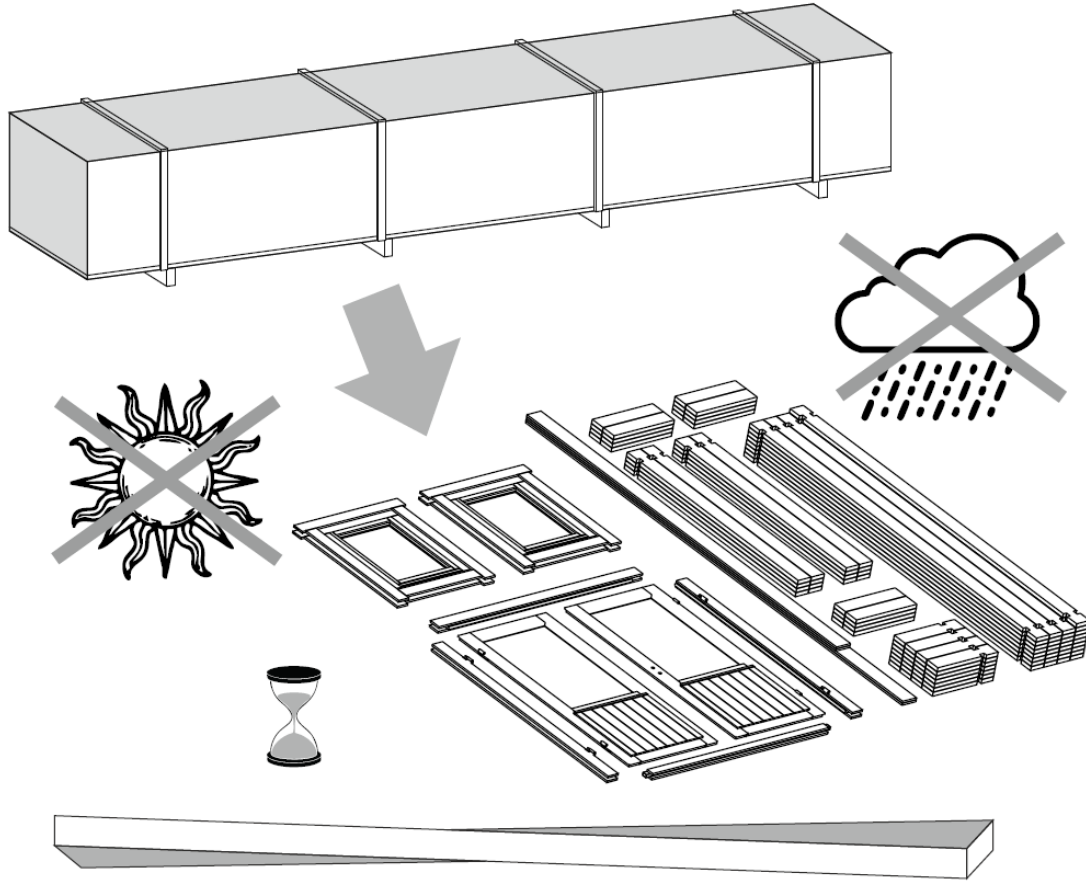
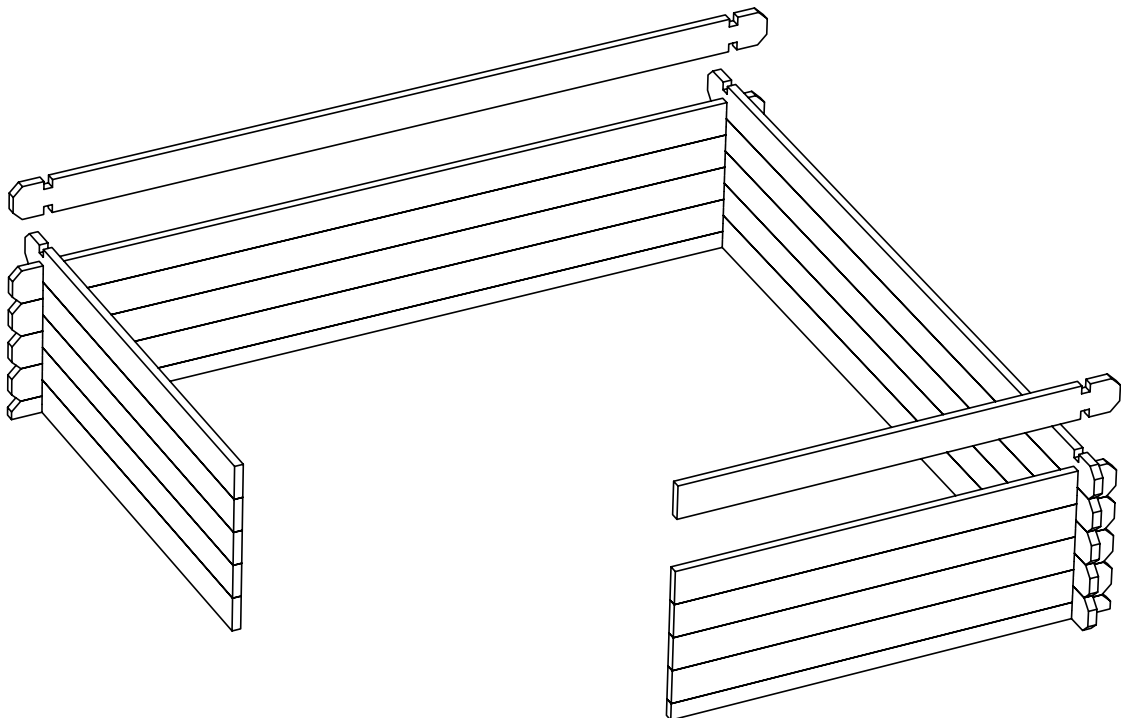
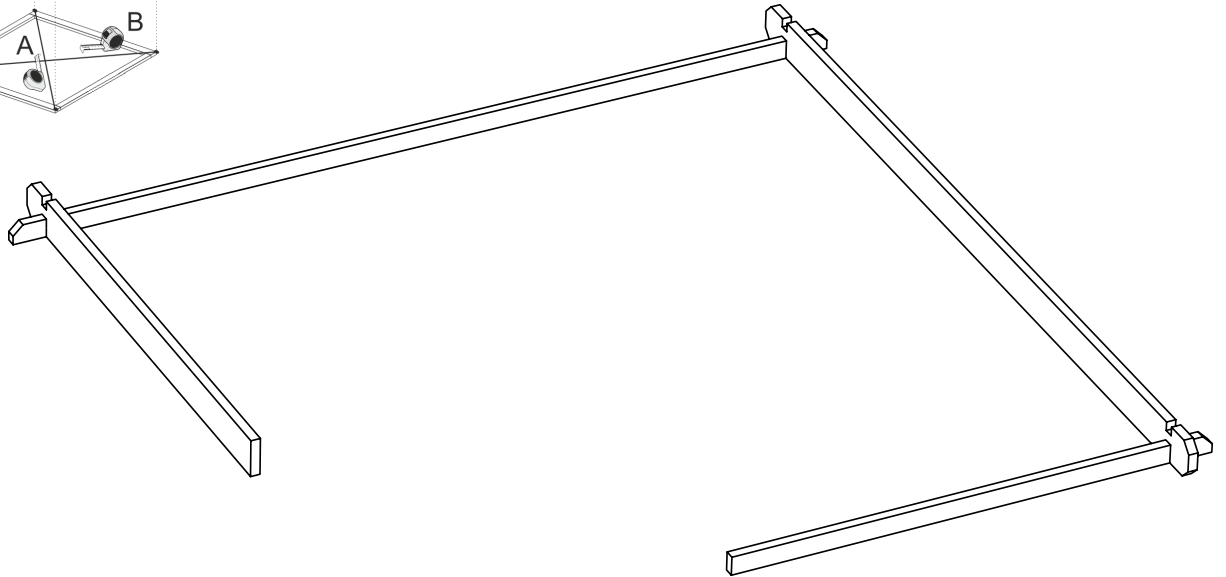
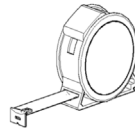
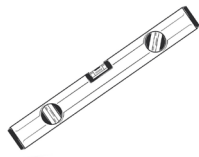
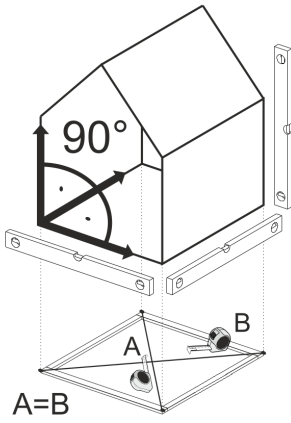


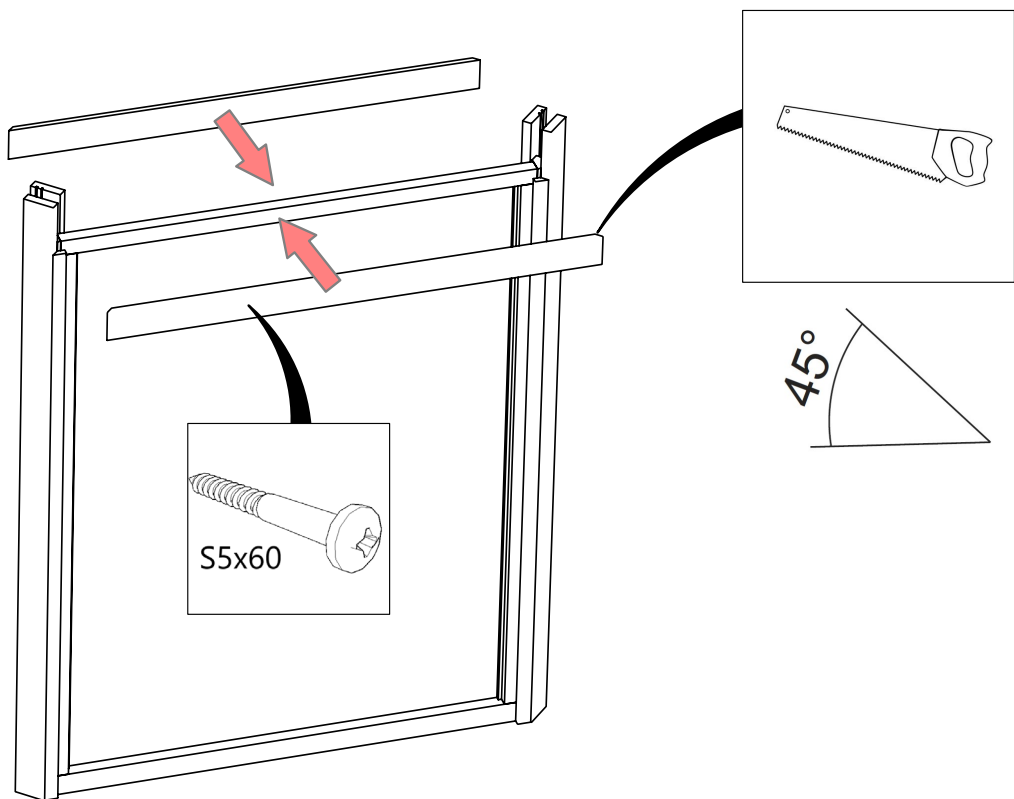
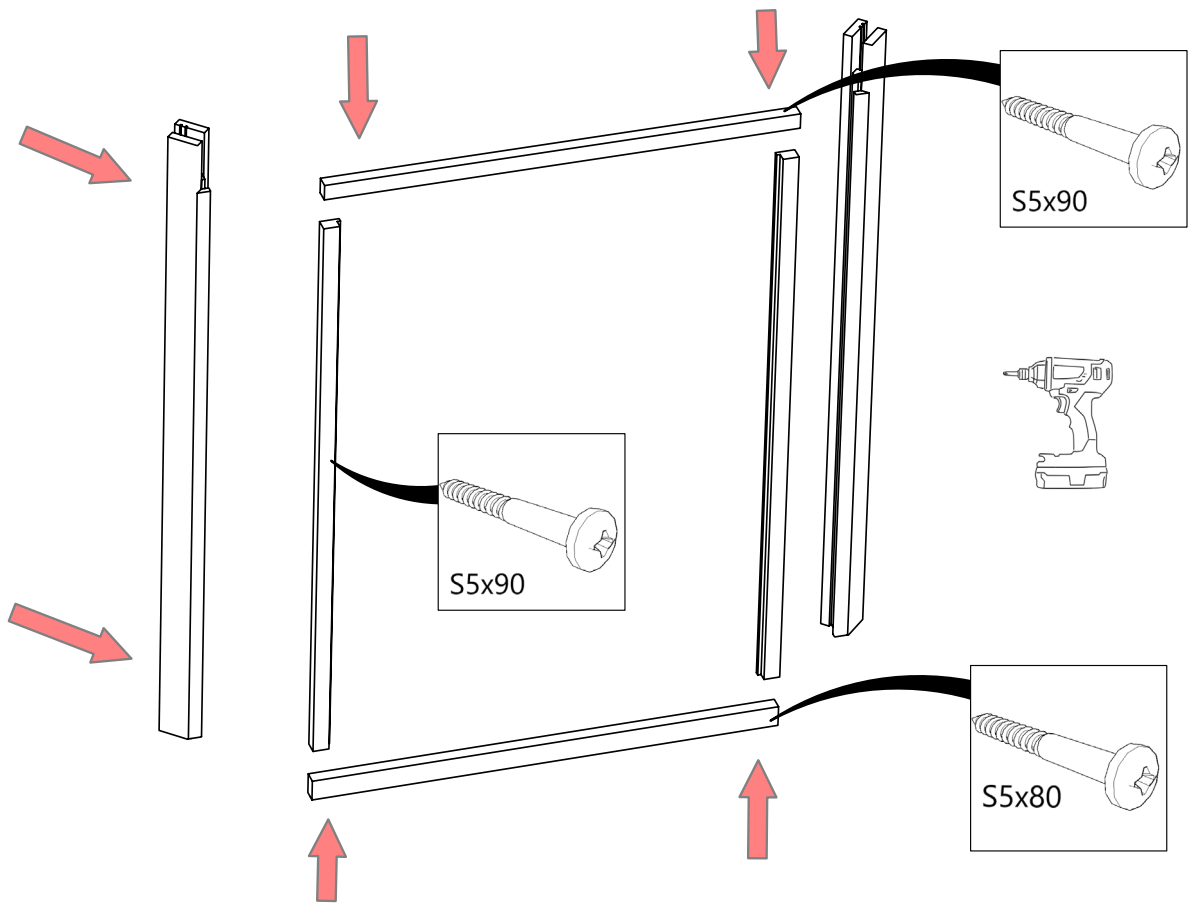
Alpho<sup>2</sup>

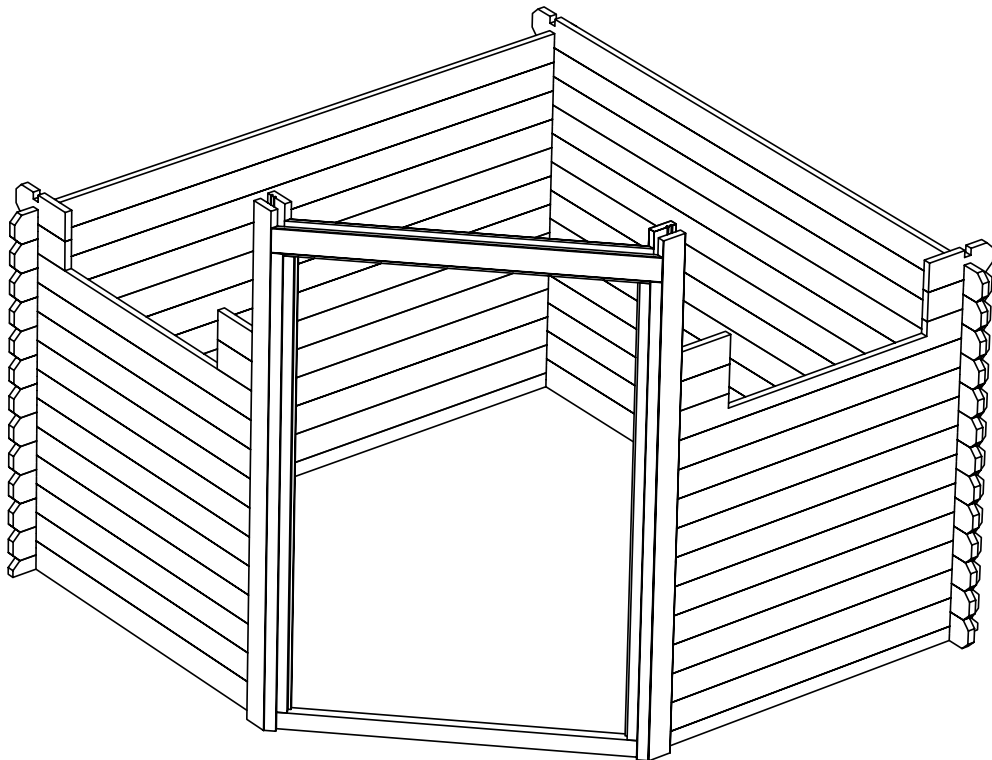
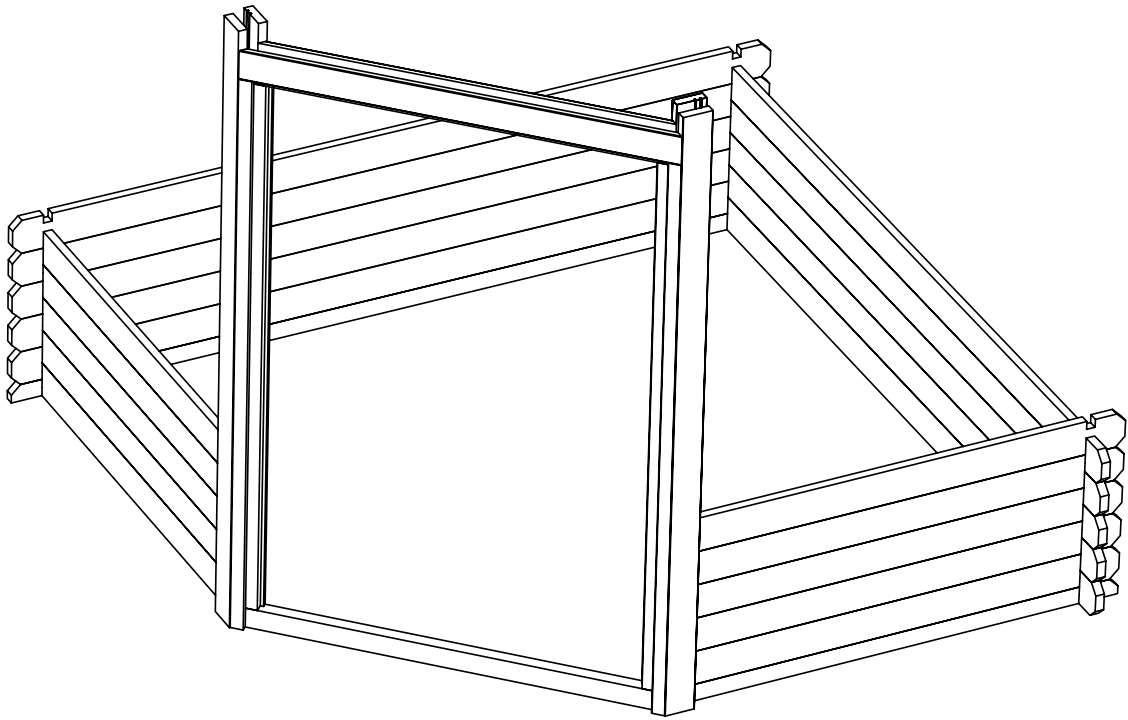


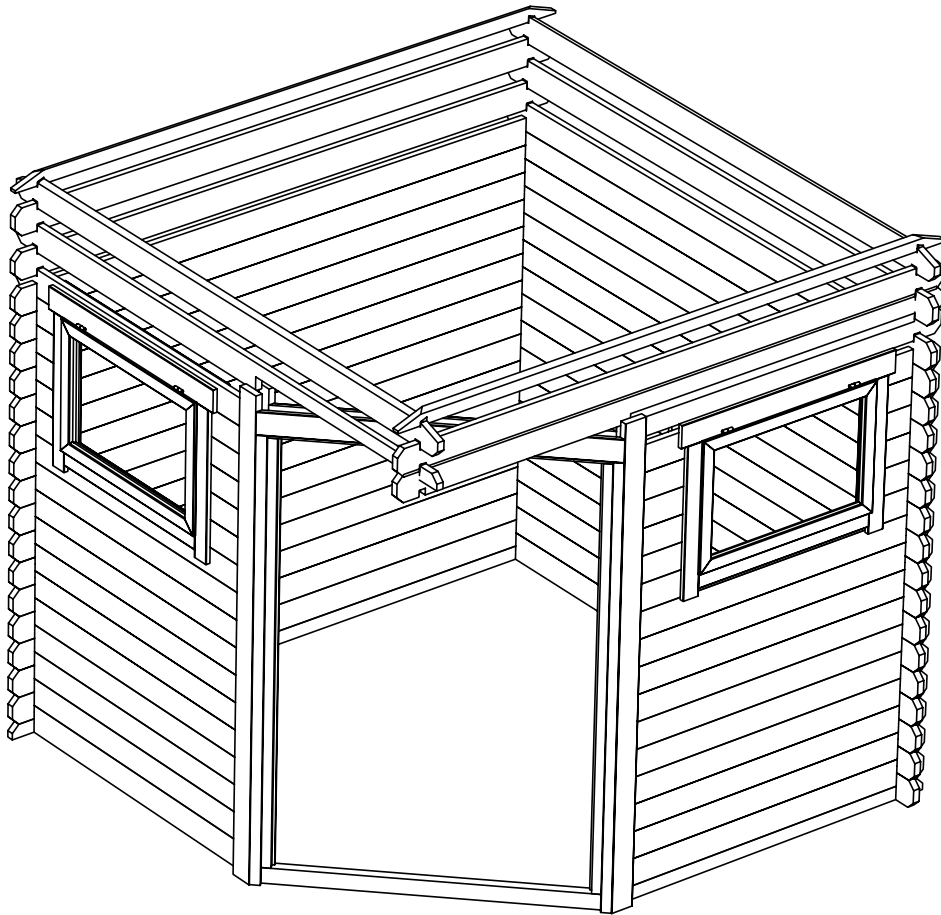
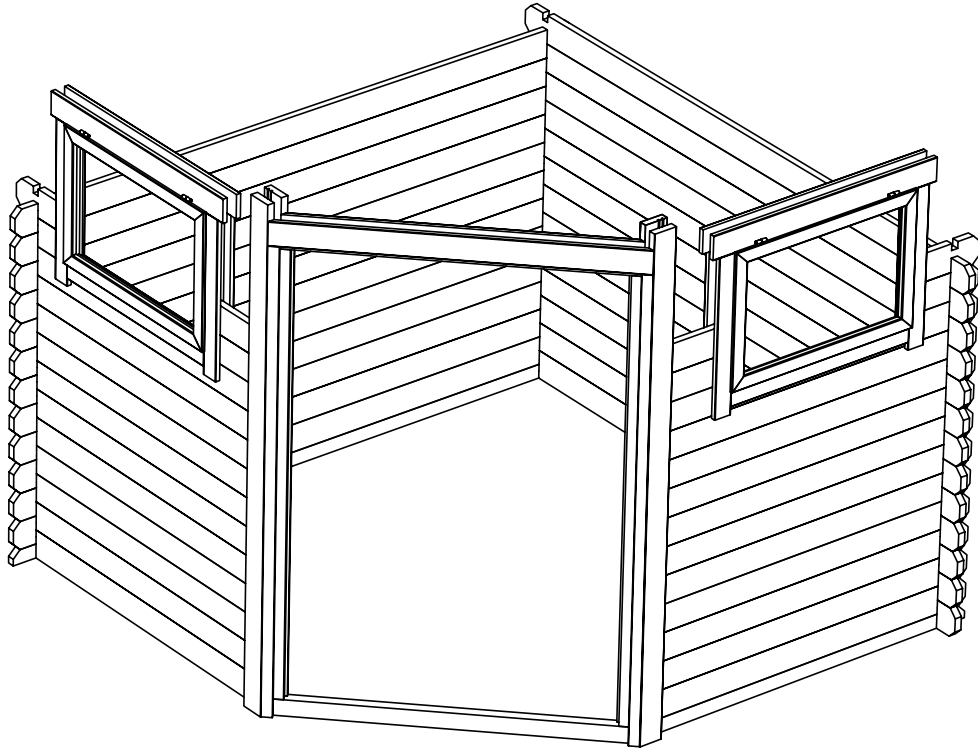
Sunny 28 B

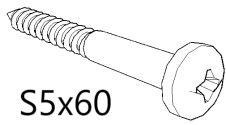
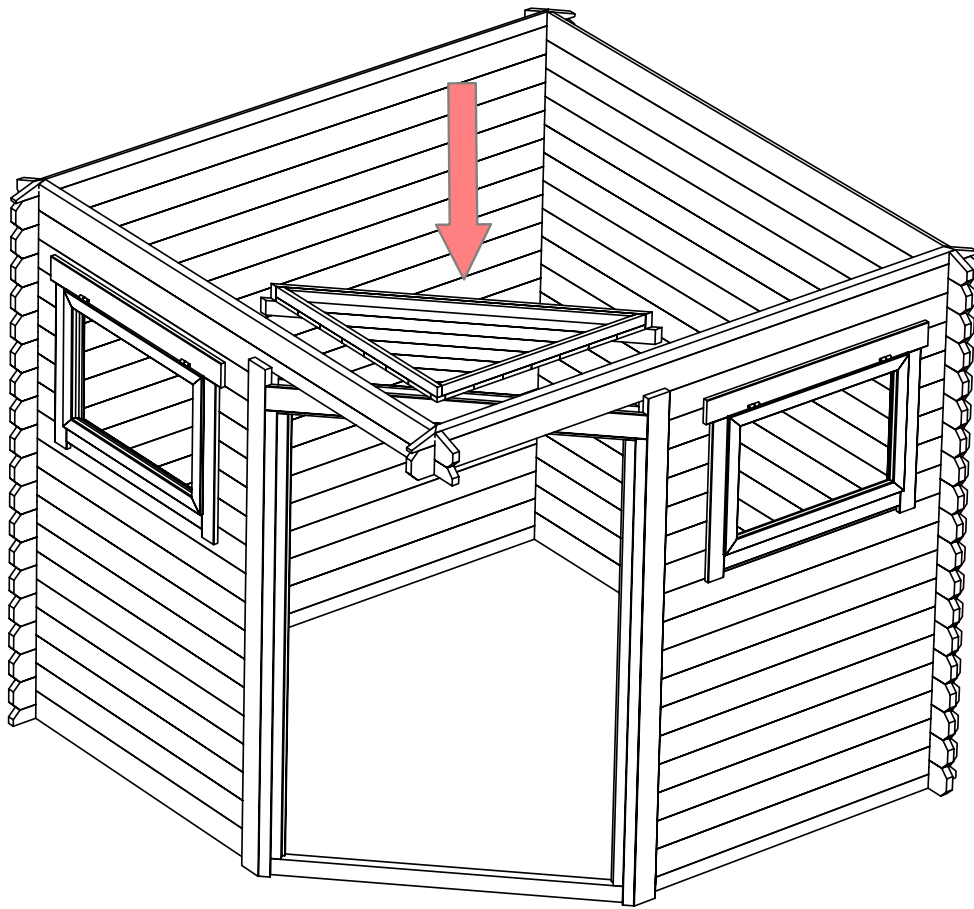




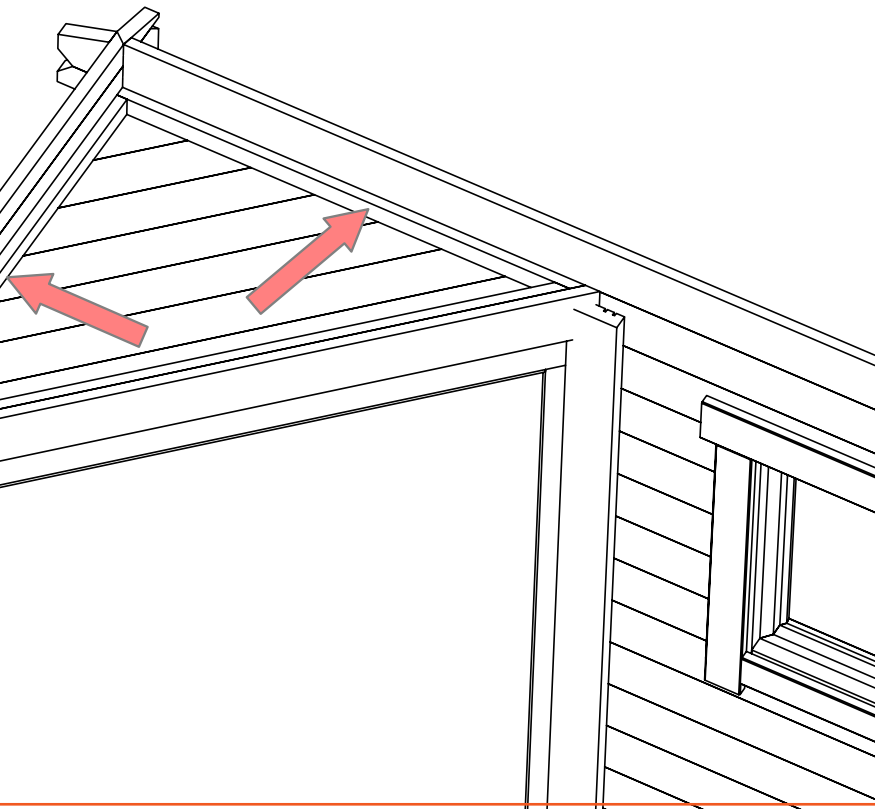




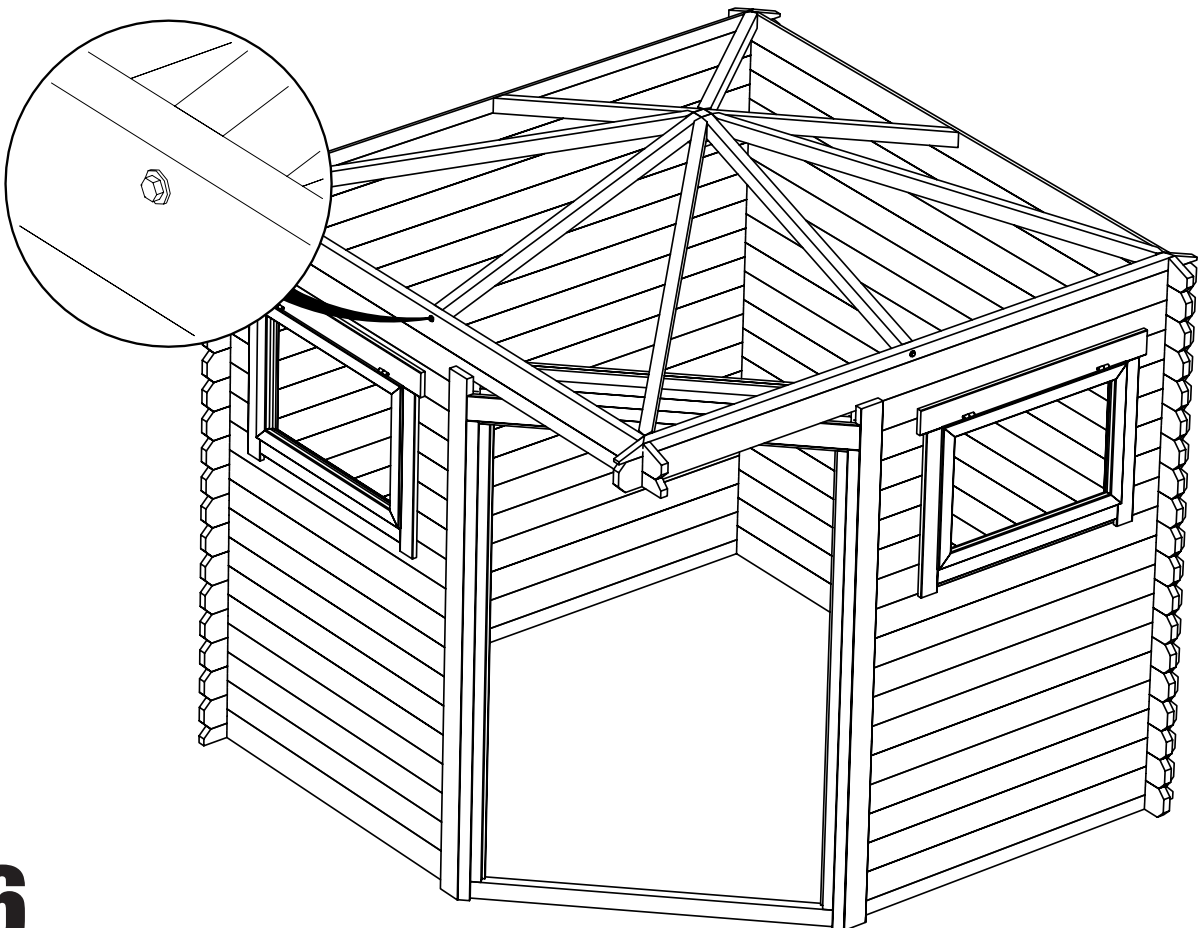
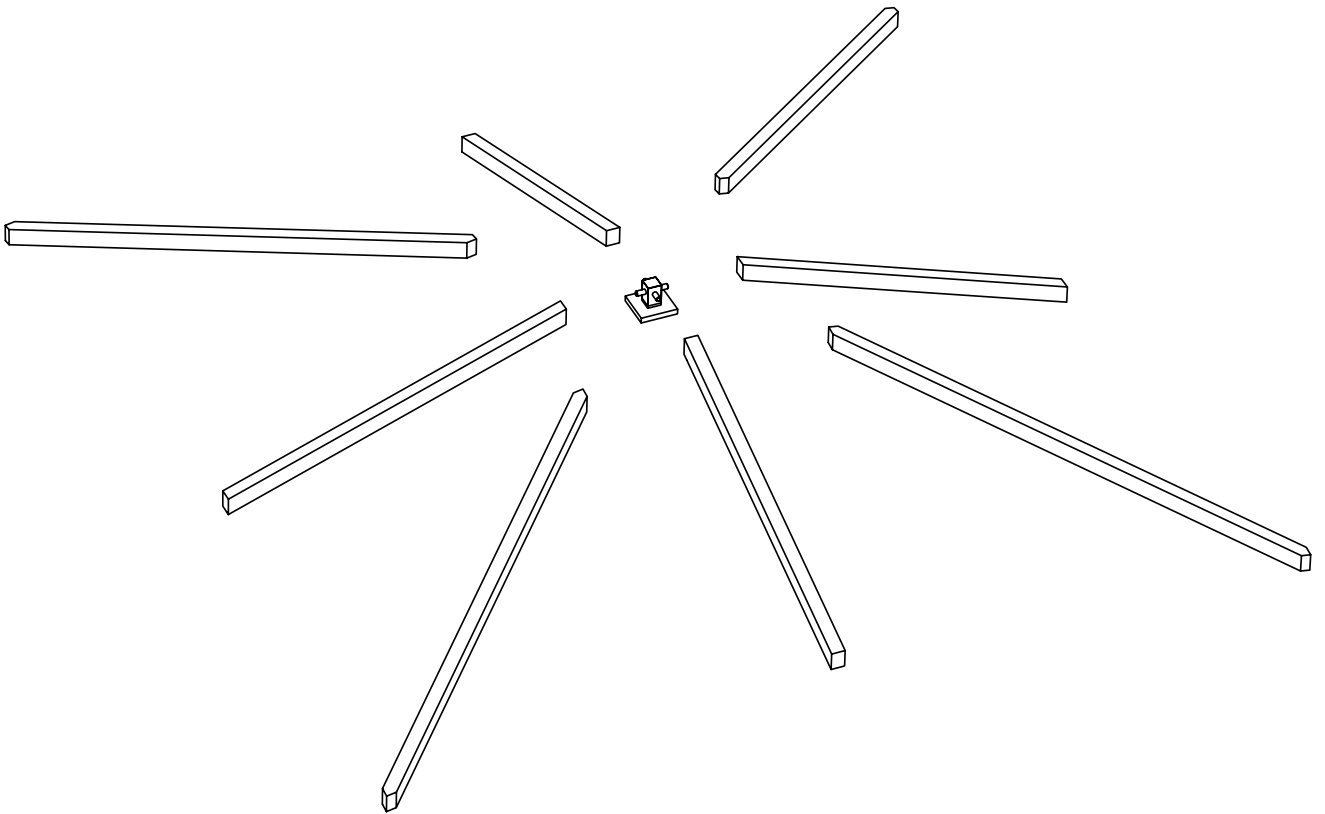




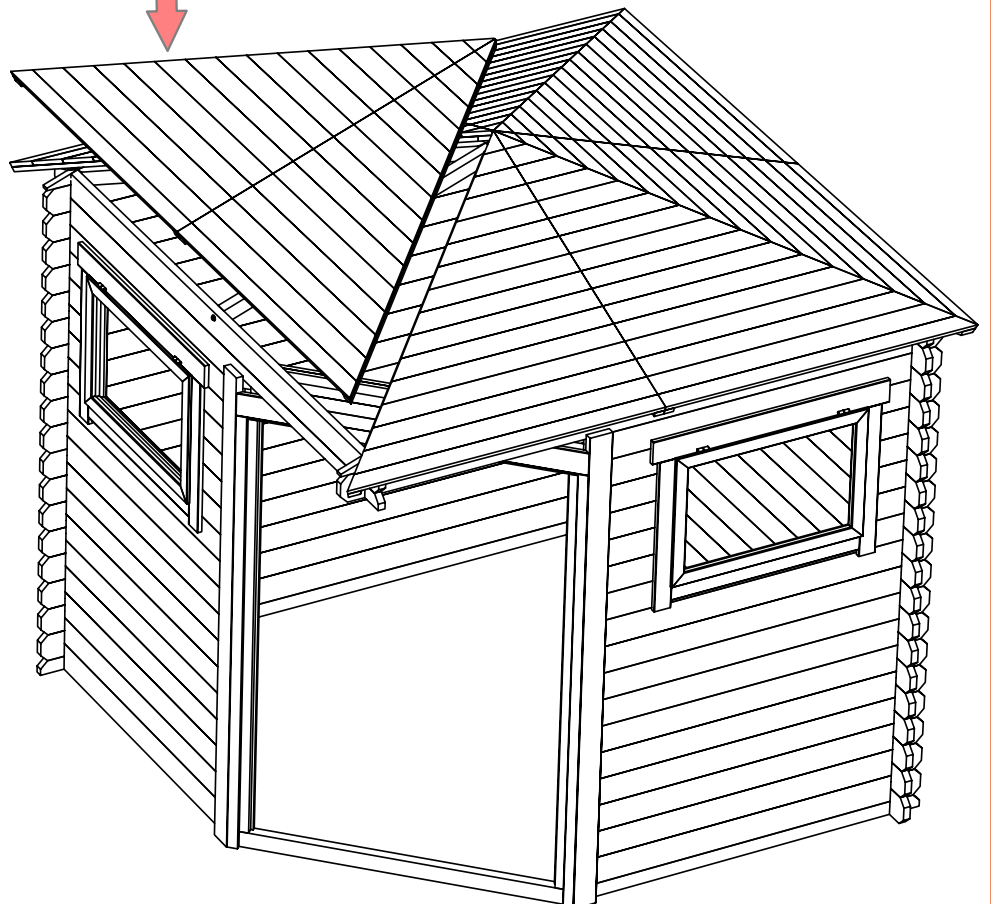
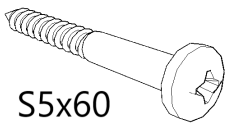
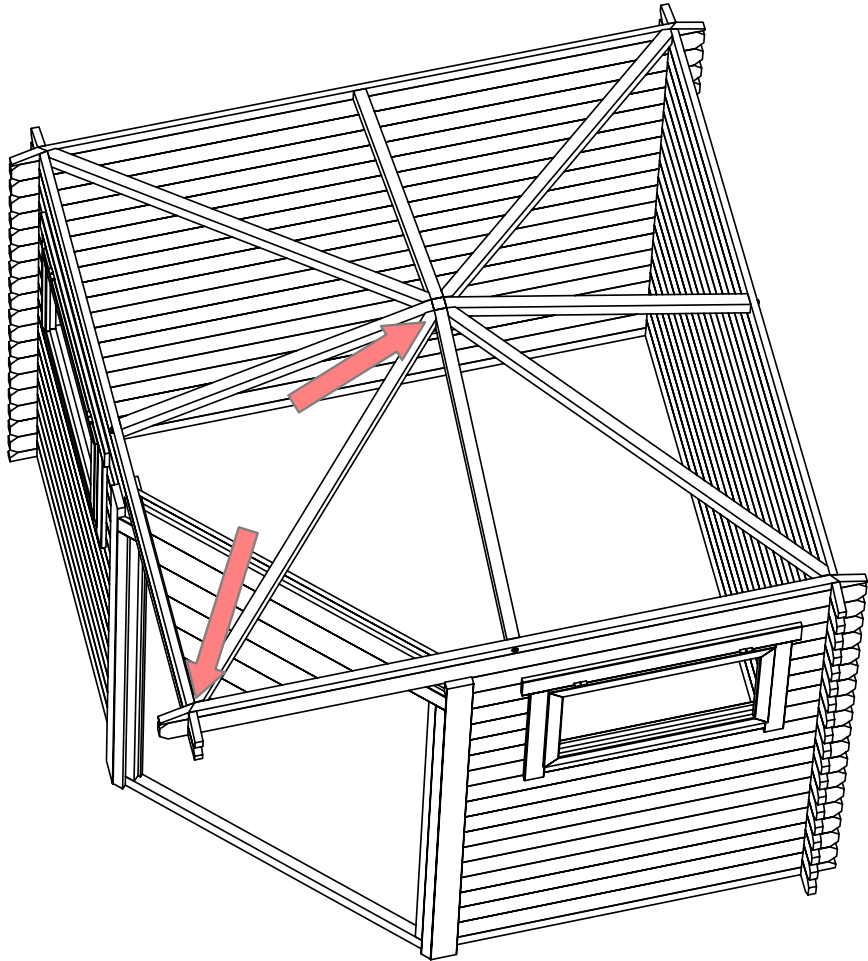
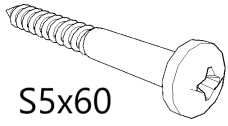
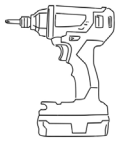
S5x60

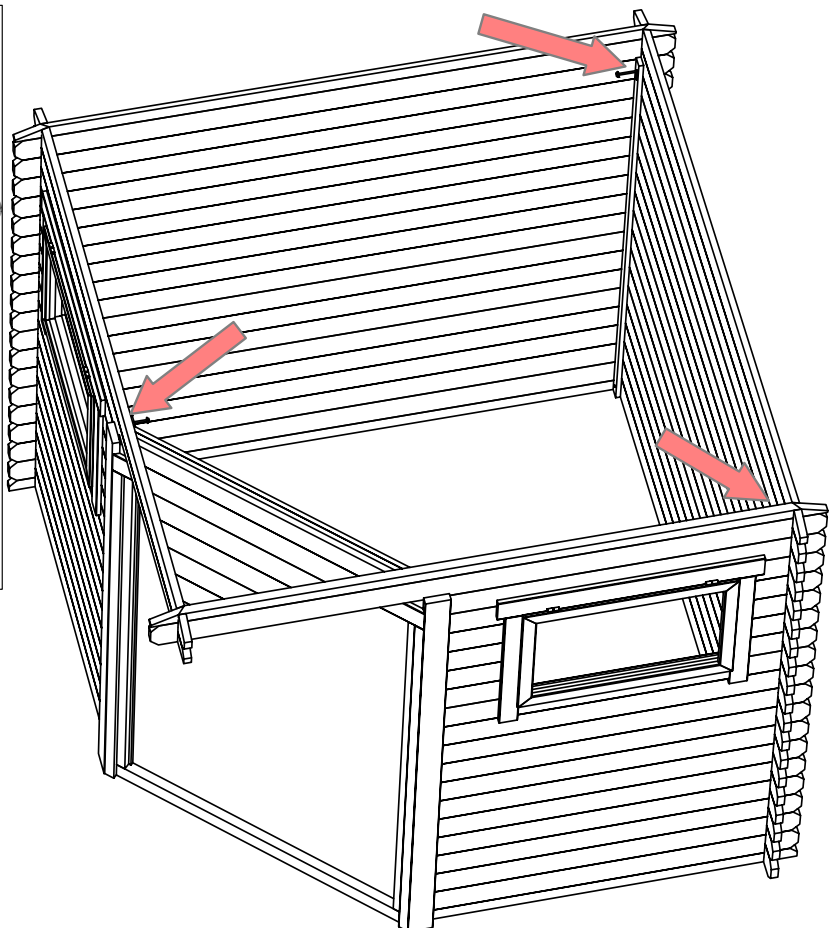
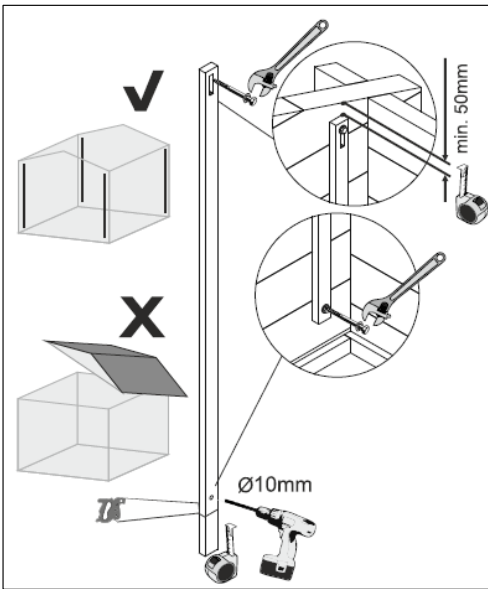
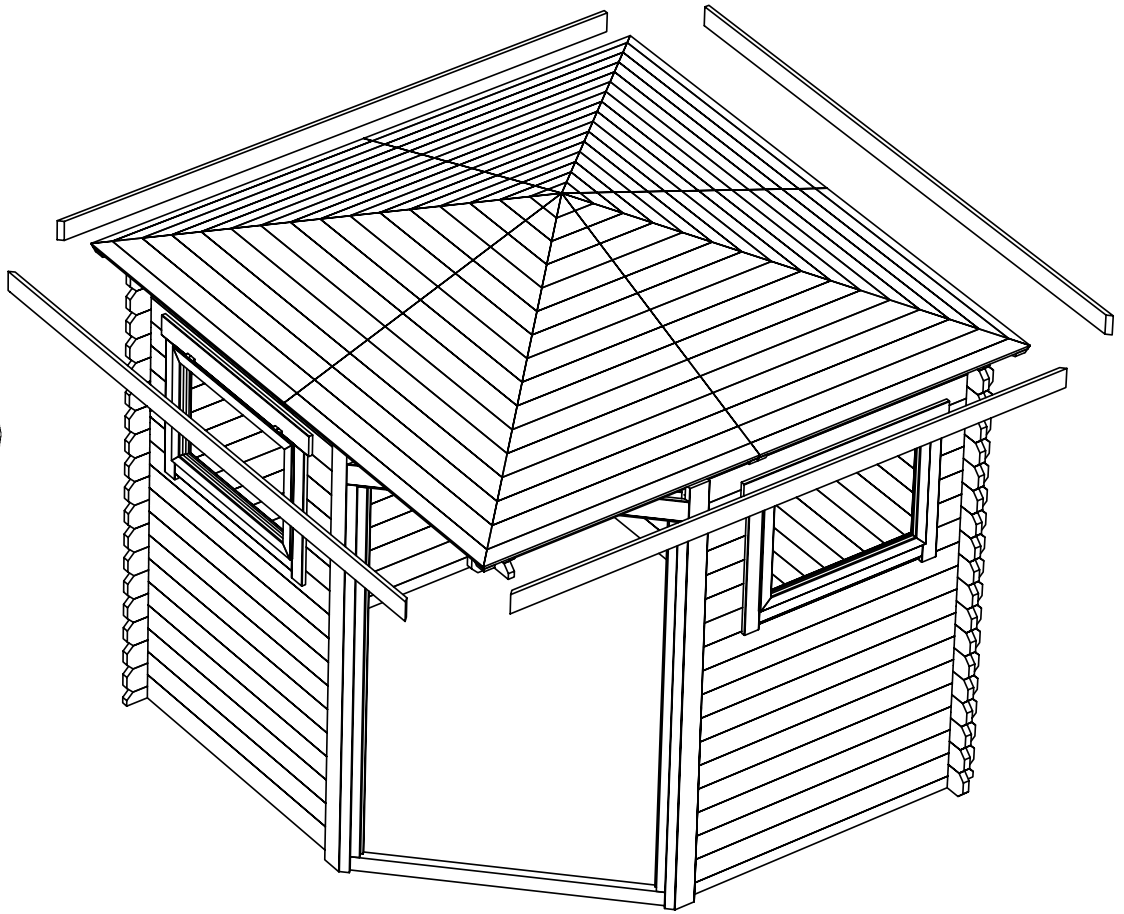
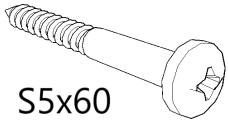
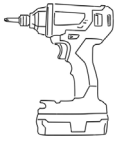


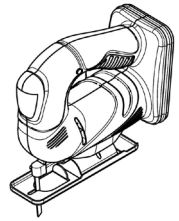
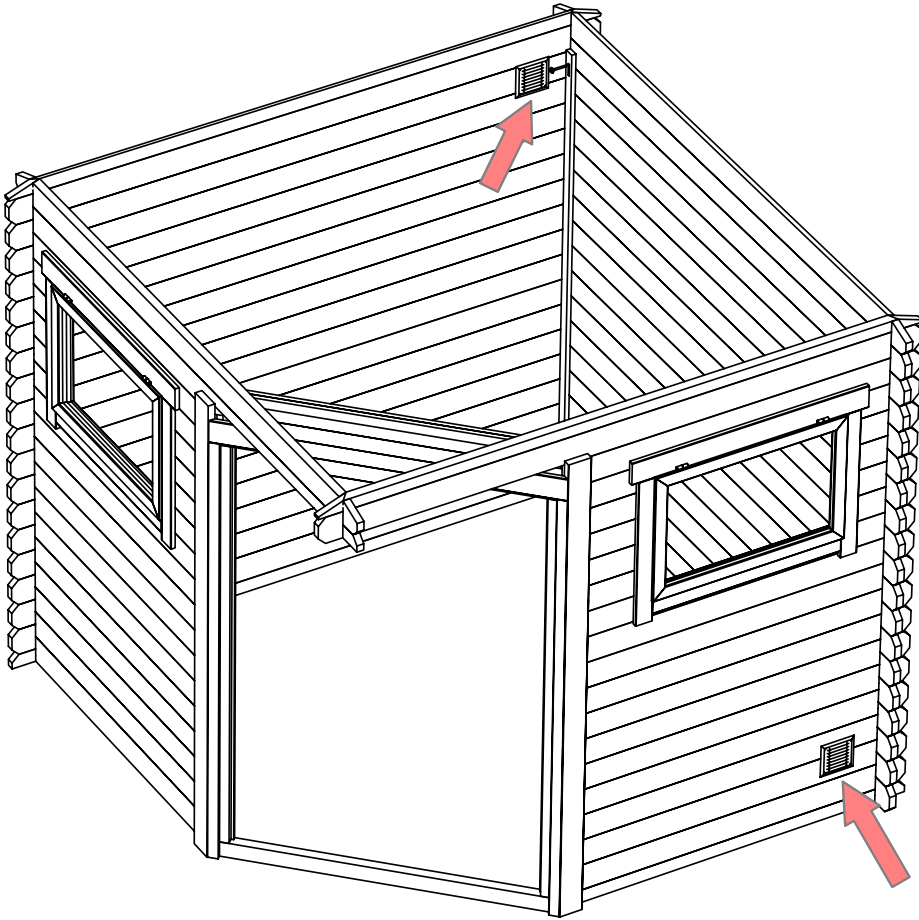
**5**



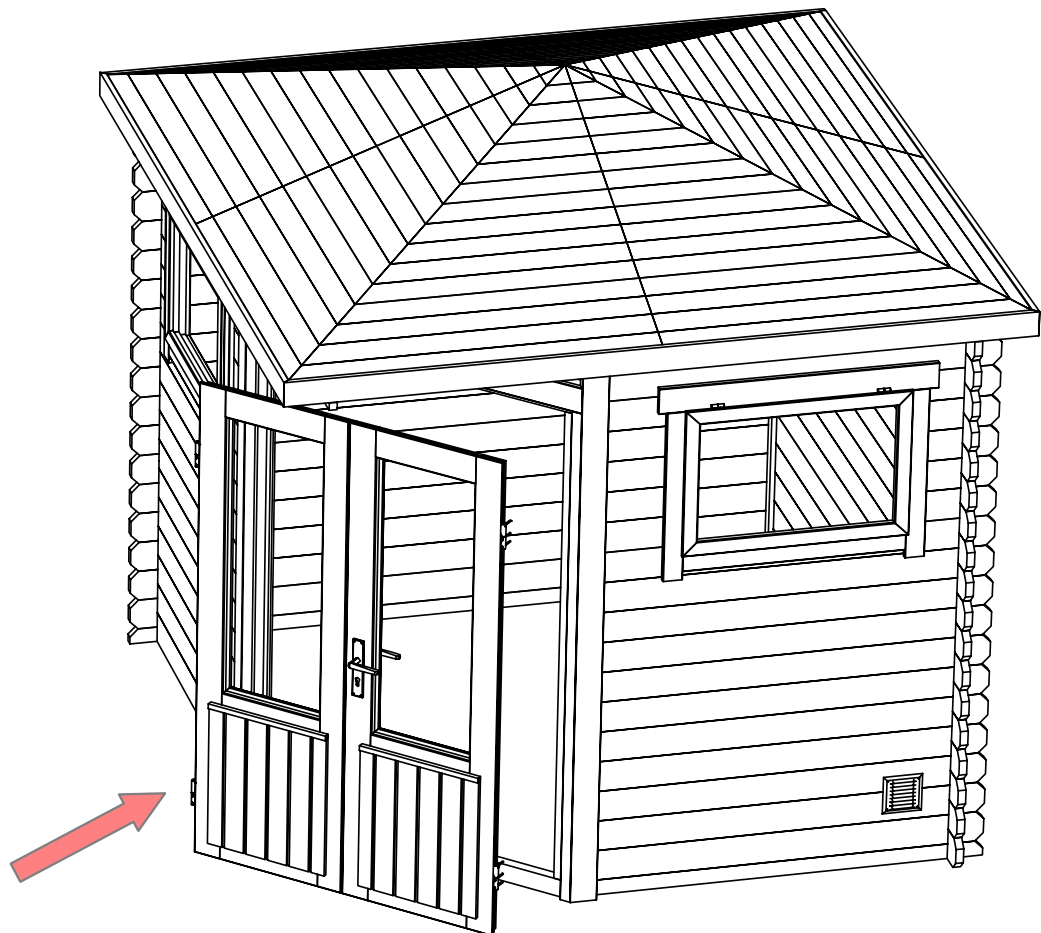
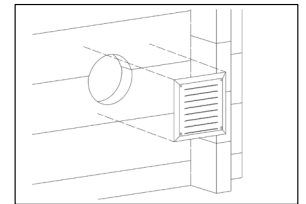
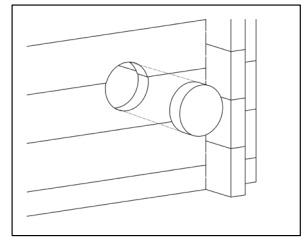


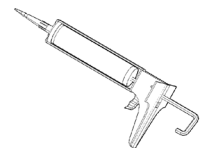
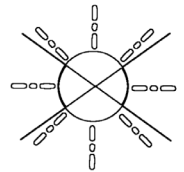
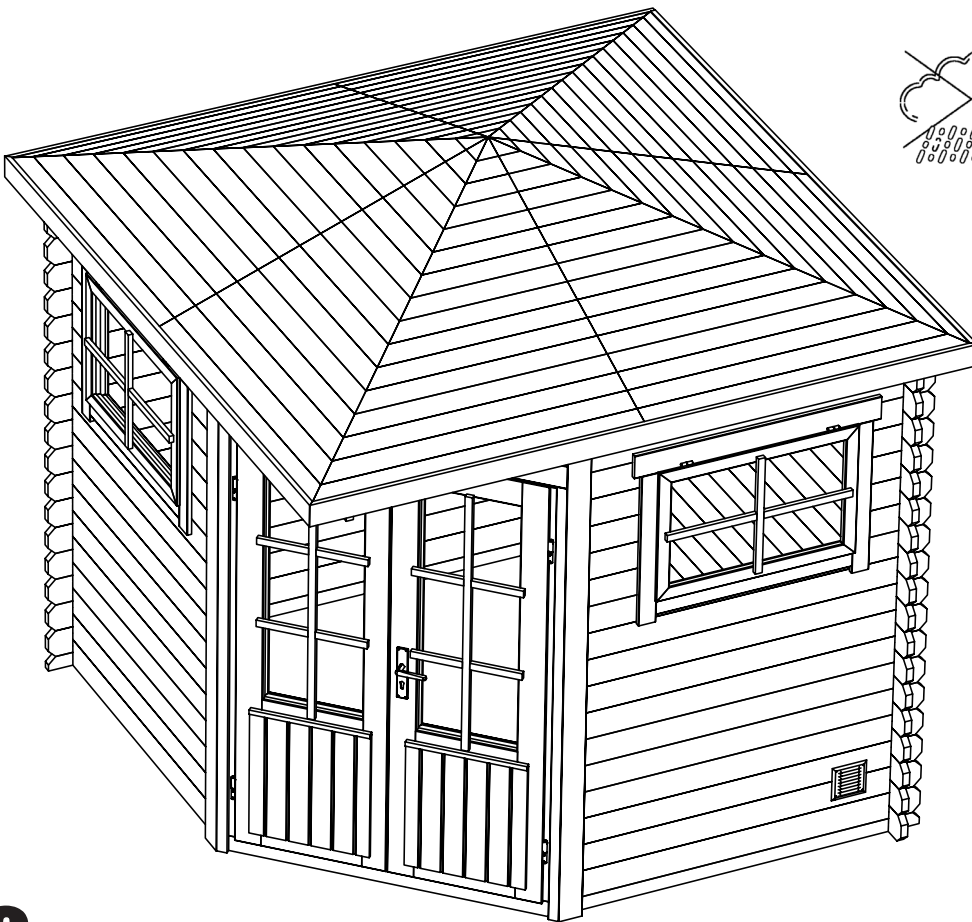
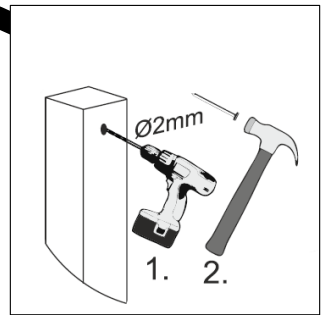
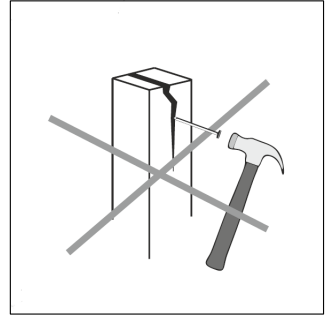
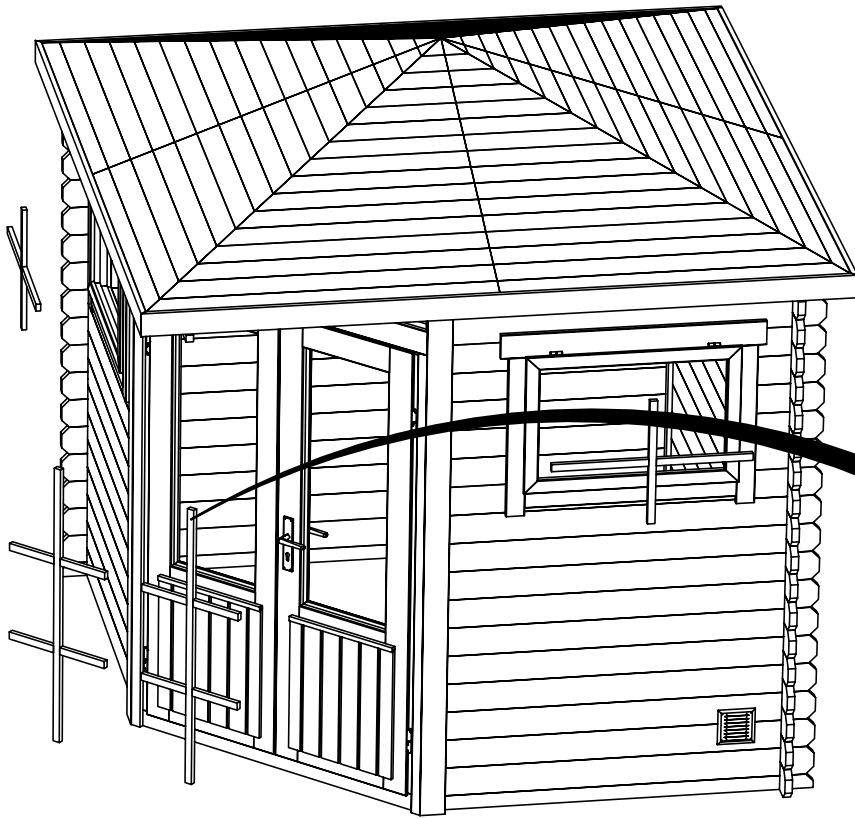






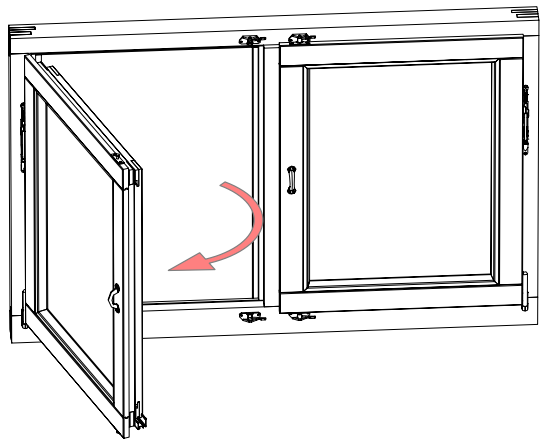
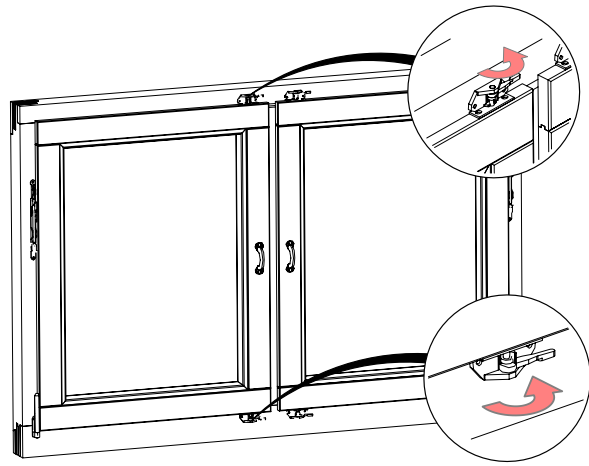
Ø ca 130mm



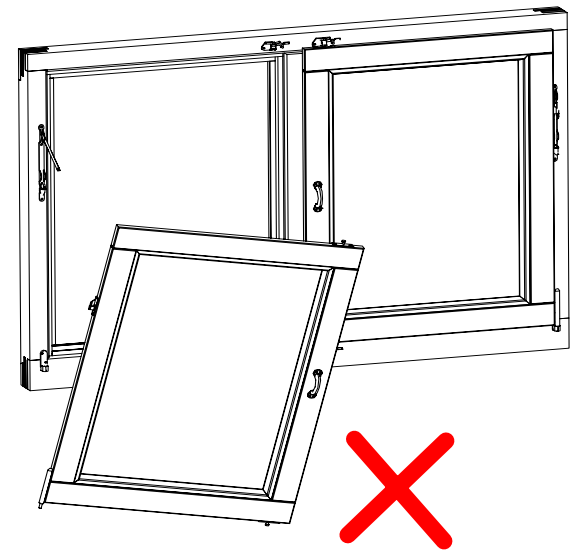
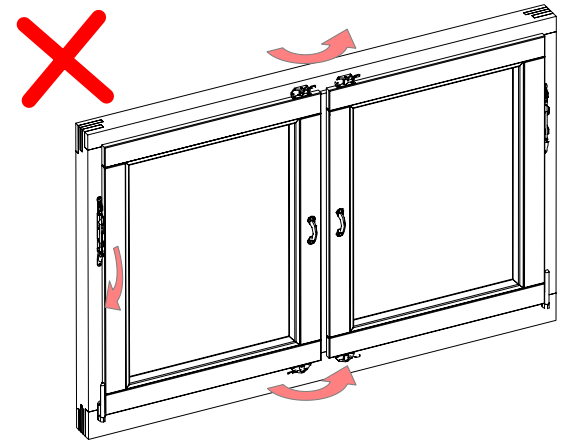
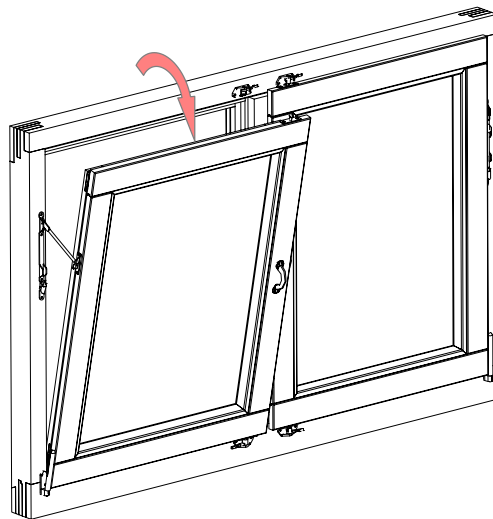
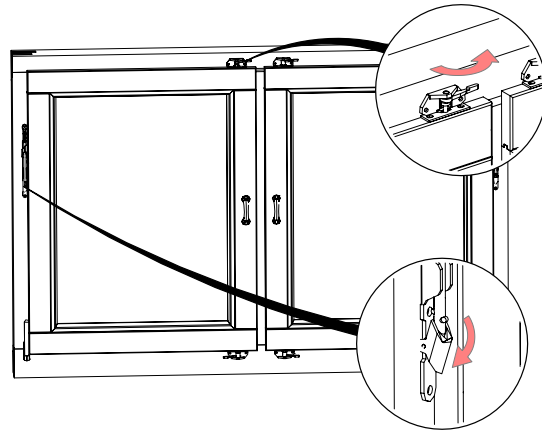


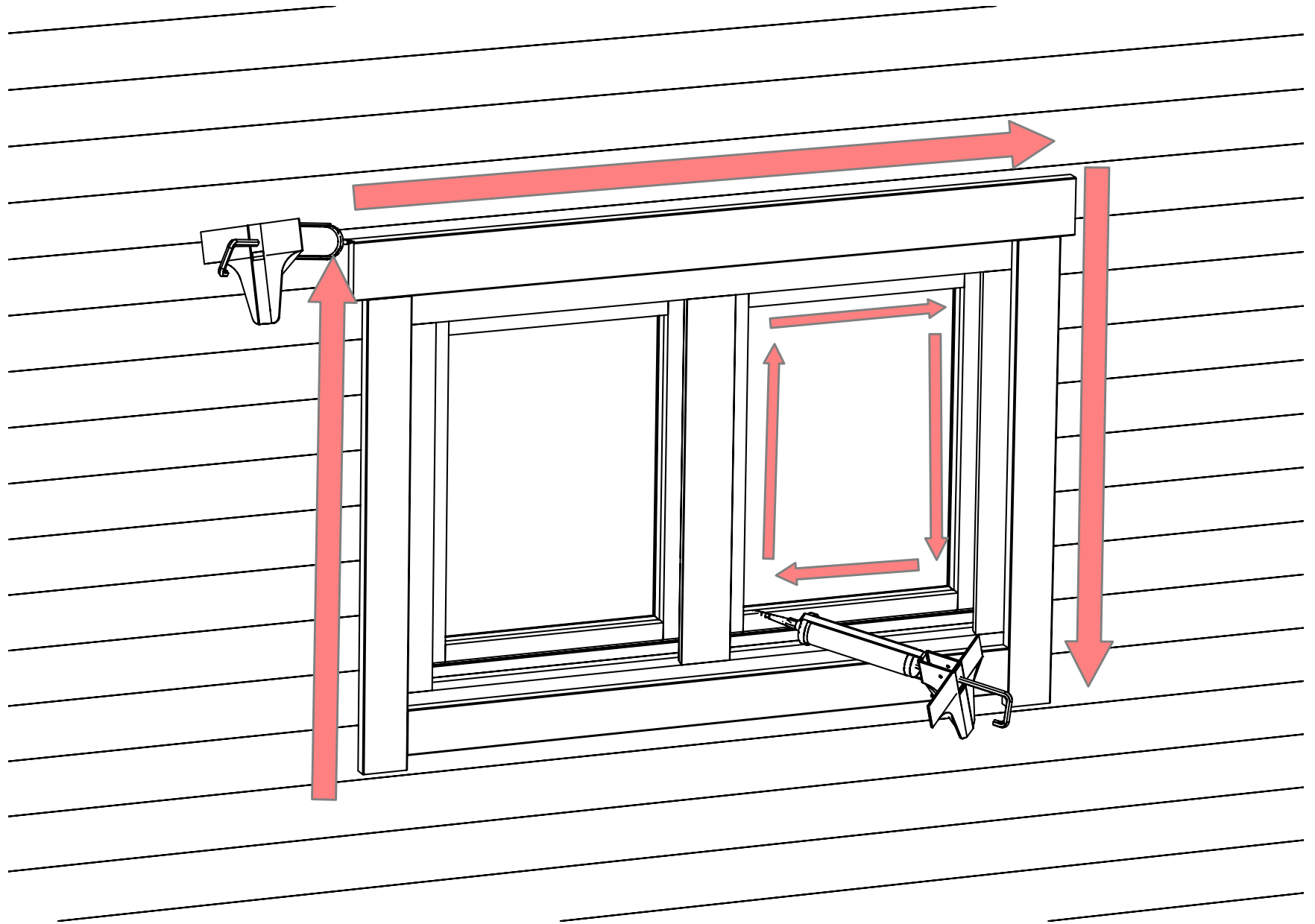
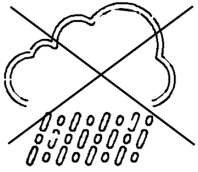
Öffnung/Opening

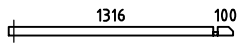
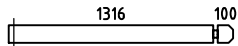
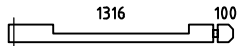
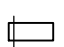
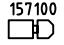
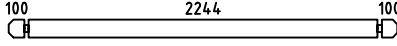
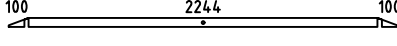
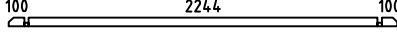
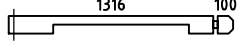
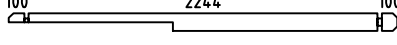
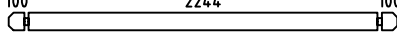
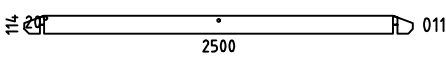
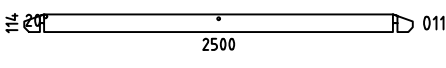
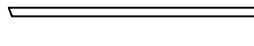
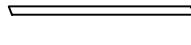
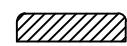
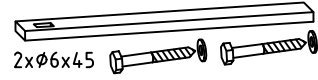

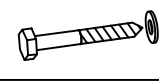

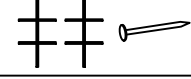


A



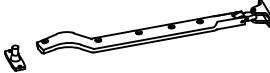
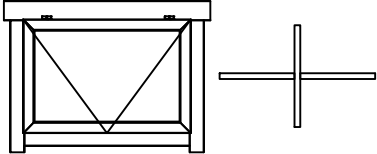
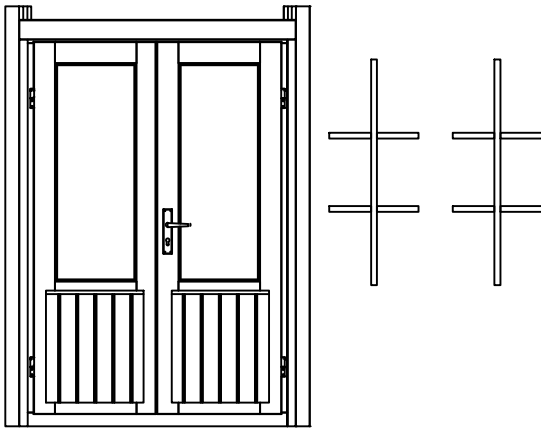
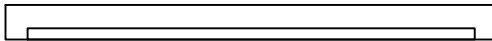
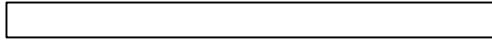
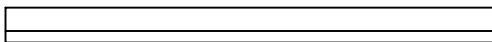
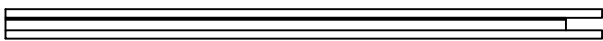
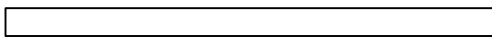
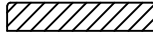




B

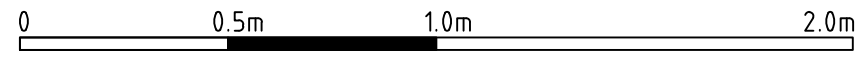
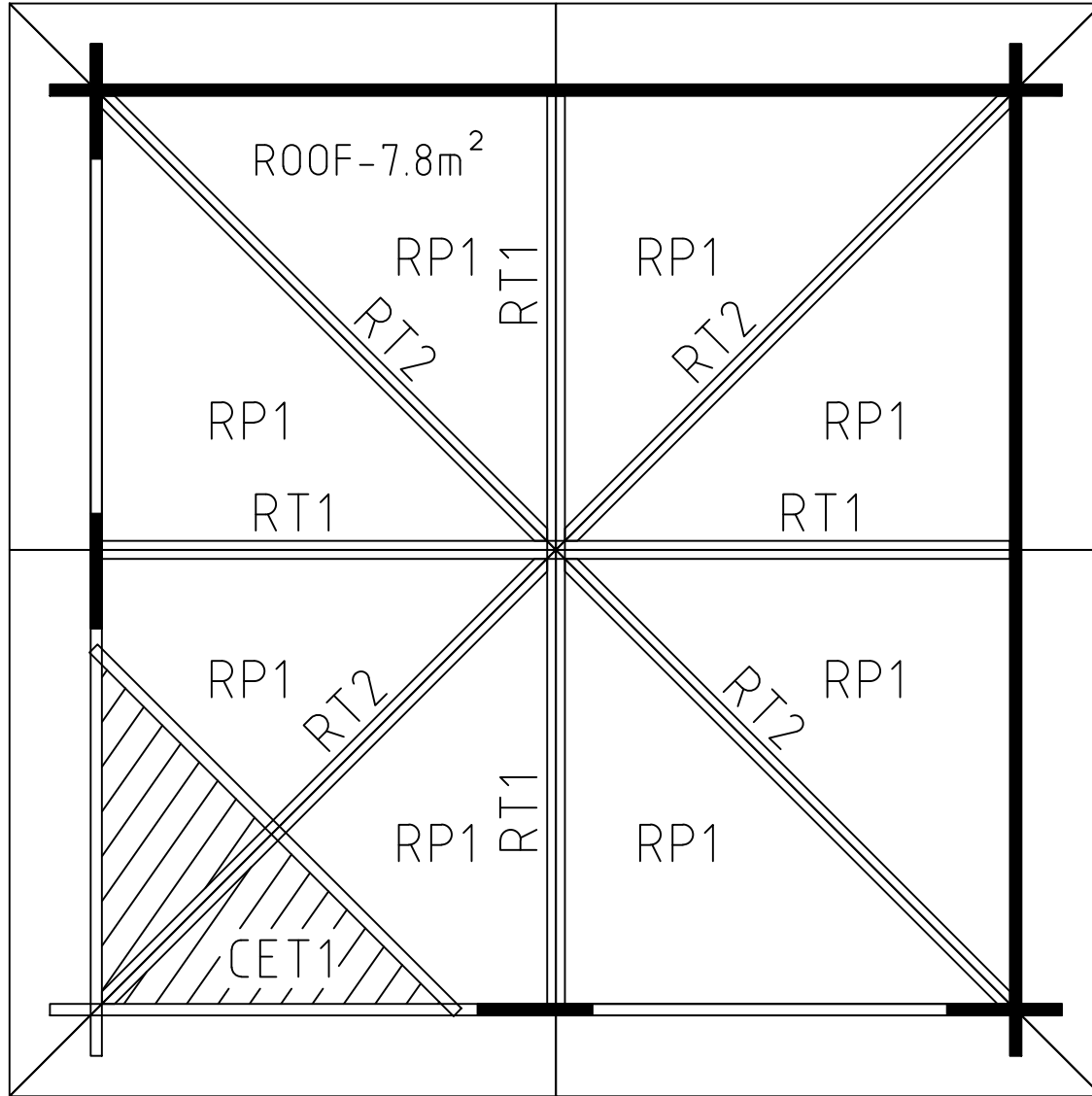





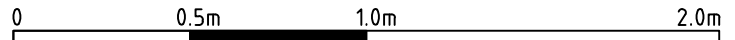
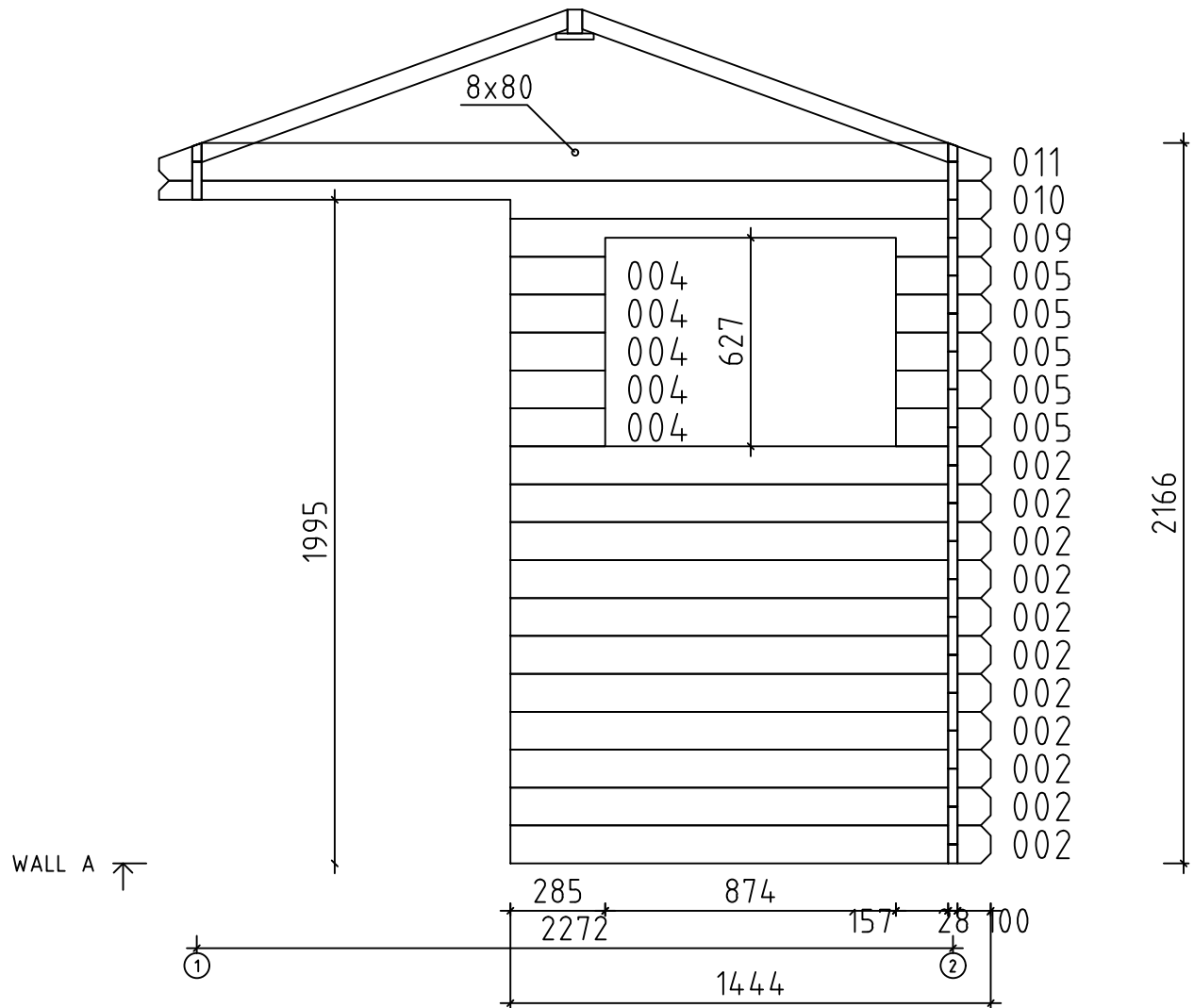
Pos	Specification-Spezifikation-Specificatie-Nomenclature-Elementi-Especificacion Sunny 28 B	Qty	Profile (mm)	Lenght (mm)
001		1	28x57	1444
002		22	28x114	1444
003		1	28x114	1444
004		10	28x114	285
005		10	28x114	285
006		37	28x114	2500
007		2	28x57	2500
008		1	28x57	2500
009		1	28x114	1444
010		1	28x114	2500
EXTRA		1	28x114	2500
WA-1		1		
WB-1		1		
RT2	RAFTER-SPARREN-DAKSPAR-CHEVRON-TRAVE-CABRIO 	4	44x55	1621
RT1	RAFTER-SPARREN-DAKSPAR-CHEVRON-TRAVE-CABRIO 	4	44x55	1192
GB-1	Gable board 70-Giebelblende-Gevelplank-Planche de rive-Tavola di bordo-Tabla de borde 	4	18x70	2750
SS-1	Storm slat kit-Sturmleiste satz-Stormanker set-Kit de latte anti tempête-Kit listello di tempesta-Kit liston anti tormenta 	3	18x40	2000
CET1	Ceiling element 3-Deckenelement-Plafond element-Panneau de plafond-Pannello da soffitto-Panel de techo 	1	830x1173	
C8x80	Coach screw kit 8x80-Holzschraube-Houtdraadbout-Tirefond-Vite tirafondo-Tornillo entrenador 	4	8x80	
	Double door kit-Doppeltür satz-Dubbele deur set-Kit double porte-Kit porta-Kit para puerta 	1		
	Nail 1.6x30-Nagel-Spijker-Clou-Chiodo-Clavo 	25	1.6x30	
RPC	Ridge piece-Firstelement-Nokstuk-Faitage-Colmo-Cumeeira 	1		
RP1	Roof panel 1-Dach elemente-Dakpanelen-Panneau de toit-Pannello da tetto-Panel de tejado 	4+4	1445x1347	
Model	Sunny 28 B	Material	28x114	Page 1/2

Pos	Specification-Spezifikation-Specificatie-Nomenclature-Elementi-Especificacion Sunny 28 B	Qty	Profile (mm)	Lenght (mm)
S4x60	Screw 4x60-Schraube-Schroef-Vis-Vite-Tornillo 	80	4x60	
	Ventilation panel kit-Außengitter-Schoepenrooster-Panneau de ventilation-Griglia di ventilazione-Rejilla de ventilacion 	1		
	Window stay-Fensterfeststeller-Raamuitzetter-Limiteur d'ouverture fenêtre-Vento bretelle-Soporte de ventana 	2		
	WINDOW 865x605 W0-4N 865x605-28 	2		
	DOOR 1272x1891 DD06-6P 1272x1891-28 	1		
	CORNER DOOR SET			
1	Top Jamb 	1	58x42	1272
2	Threshold 	1	58x42	1272
3-4	Vertical Jamb 	2	58x42	1781
5-6	Post Set 	1+1	42x61	2020
7-8	Cover Slat 	2	40x18	1860
9-10	Casting 	2	18x95	1500
S4x60	Screw 4x60-Schraube-Schroef-Vis-Vite-Tornillo 	16	4x60	
S5x90	Screw 5x90-Schraube-Schroef-Vis-Vite-Tornillo 	16	5x90	
Model	Sunny 28 B	Material	28x114	Page 2/2

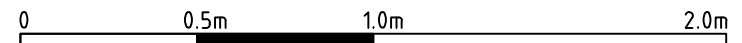
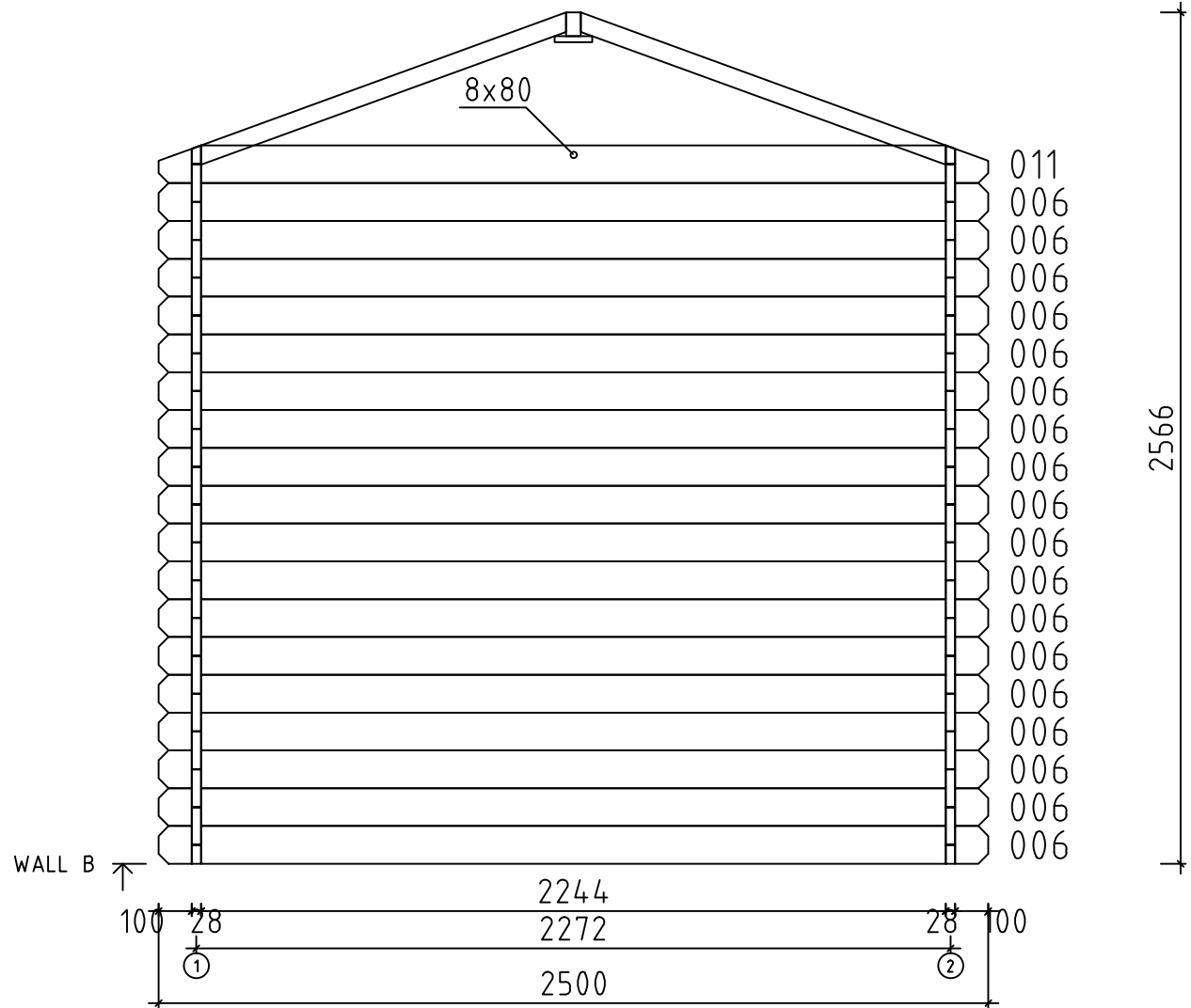




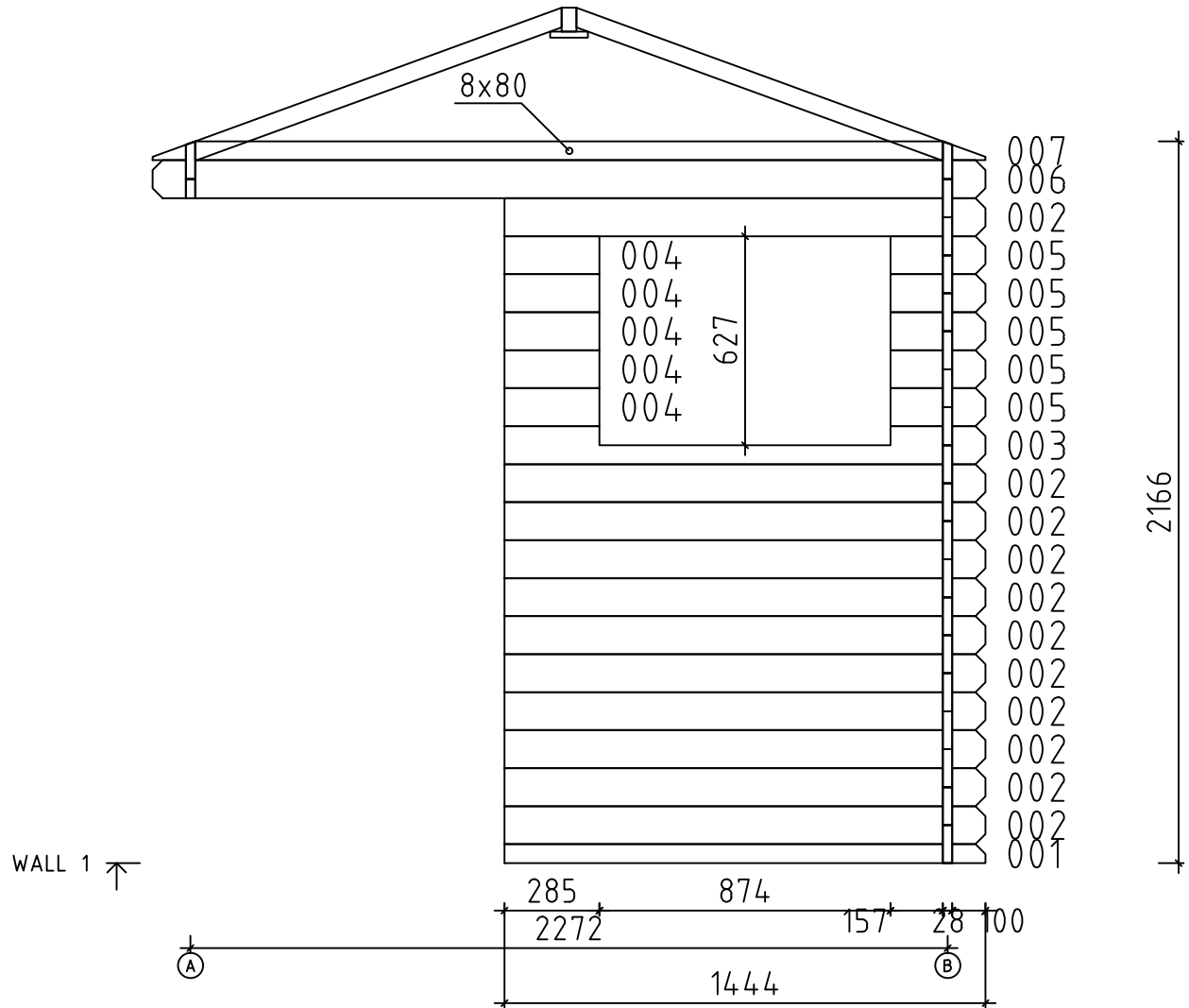
Model	Sunny 28 B	Drawing	ROOF	Page
	Drawn by	R.T	Material	28x114
	Date	12.04.2023	File	Sunny 28 B.dwg
			Scale	1:15



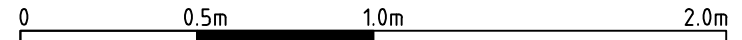
Model	Sunny 28 B	Drawing	WALL A	Page	2	
	Drawn by	R.T	Material	2.8x11.4	Scale	1:15
	Date	12.04.2023	File	Sunny 28 B.dwg		



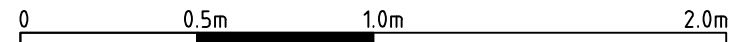
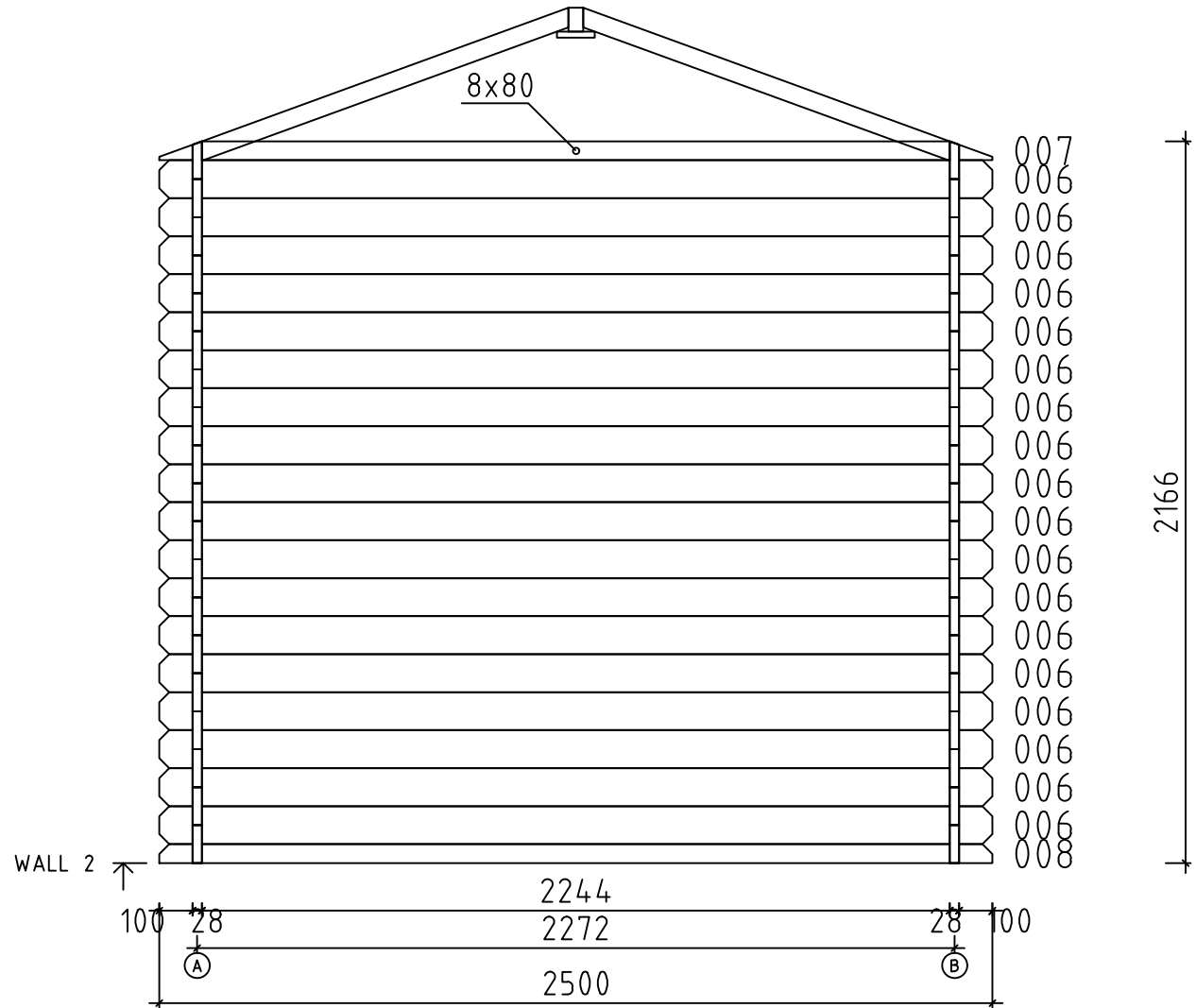
Model	Sunny 28 B	Drawing	WALL B	Page	3
		Drawn by	R.T	Material	2.8x11.4
		Date	12.04.2023	File	Sunny 28 B.dwg
		Scale	1:15		



WALL 1 ↑



Model	Sunny 28 B	Drawing	WALL 1	Page	5	
	Drawn by	R.T	Material	2.8x11.4	Scale	1:15
	Date	12.04.2023	File	Sunny 28 B.dwg		



Model	Sunny 28 B	Drawing	WALL 2	Page	6	
	Drawn by	R.T	Material	2.8x11.4	Scale	1:15
	Date	12.04.2023	File	Sunny 28 B.dwg		